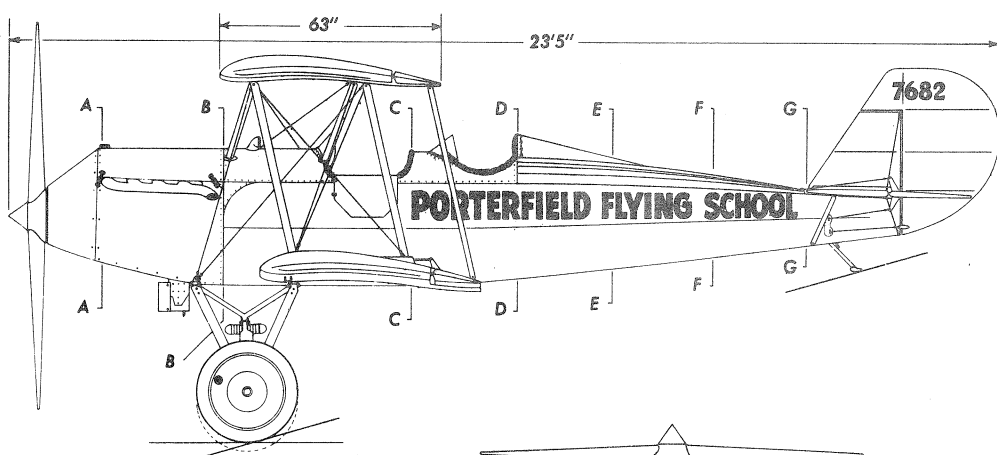


1 1/2° DIHEDRAL LOWER WING
1/2° DIHEDRAL UPPER WING

**AMERICAN EAGLE
MODEL A-129
CURTISS OX-5 ENGINE
90 hp.**

30'



mfg. by
AMERICAN EAGLE AIRCRAFT CO.
1328 Locust Street
Kansas City, Missouri

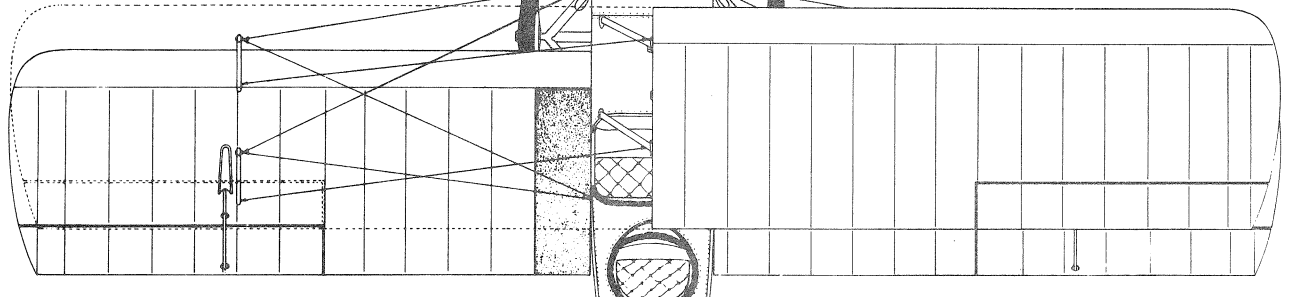
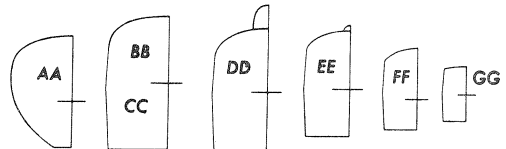
Specifications:

SPAN	30 feet
LENGTH OVERALL	23'5"
EMPTY WEIGHT	1385 lbs.
GROSS WEIGHT	2242 lbs.
CREW	ONE
PASSENGERS	TWO

Performance:

HIGH SPEED	102 mph
CRUISE	92 mph
STALL SPEED	38 mph
RATE OF CLIMB	480 fpm
SERVICE CEILING	10,200 feet
FUEL LOAD	35 gallons

Construction:
FUSELAGE, welded steel tube space frame, covered on the forward upper surfaces with sheet aluminum & with fabric on the rest. Open cockpits, pilot in the back seat, two passengers in the front seat.
TAIL GROUP, welded steel tube, wire braced, fabric covered.
WINGS, spruce beam spars, spruce truss ribs, steel tube compression members, wire braced internally & externally.



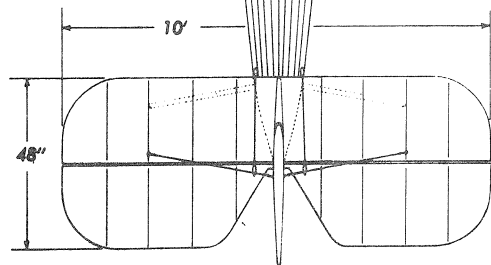
7682

UNDERSIDE OF LOWER LEFT WING

**PORTERFIELD
FLYING SCHOOL**

UNDERSIDE OF LOWER RIGHT WING

COLOR SCHEME
of this particular A-129
Silver dope & natural aluminum
with black tires & lettering



AMERICAN EAGLE