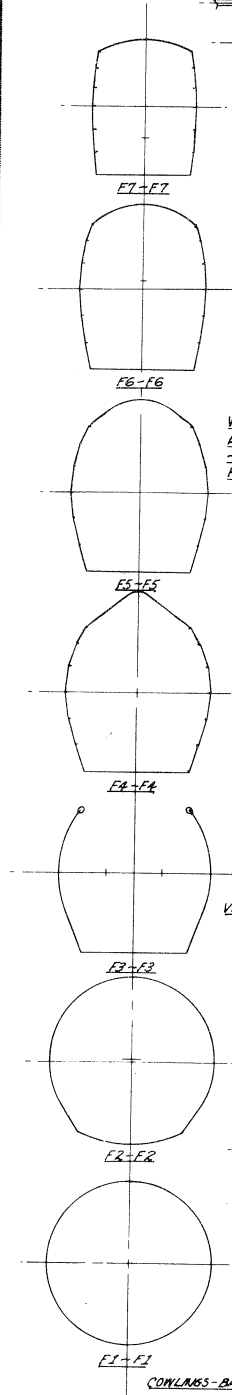


FRONT VIEW

ENGINE - 110 H.P. LE RHONE INST. -
OTHER ENGINES FITTED WERE
110 & 123 H.P. CLERGIT



F1-F7

F8-F9

F4-F5

F4-F4

F3-F3

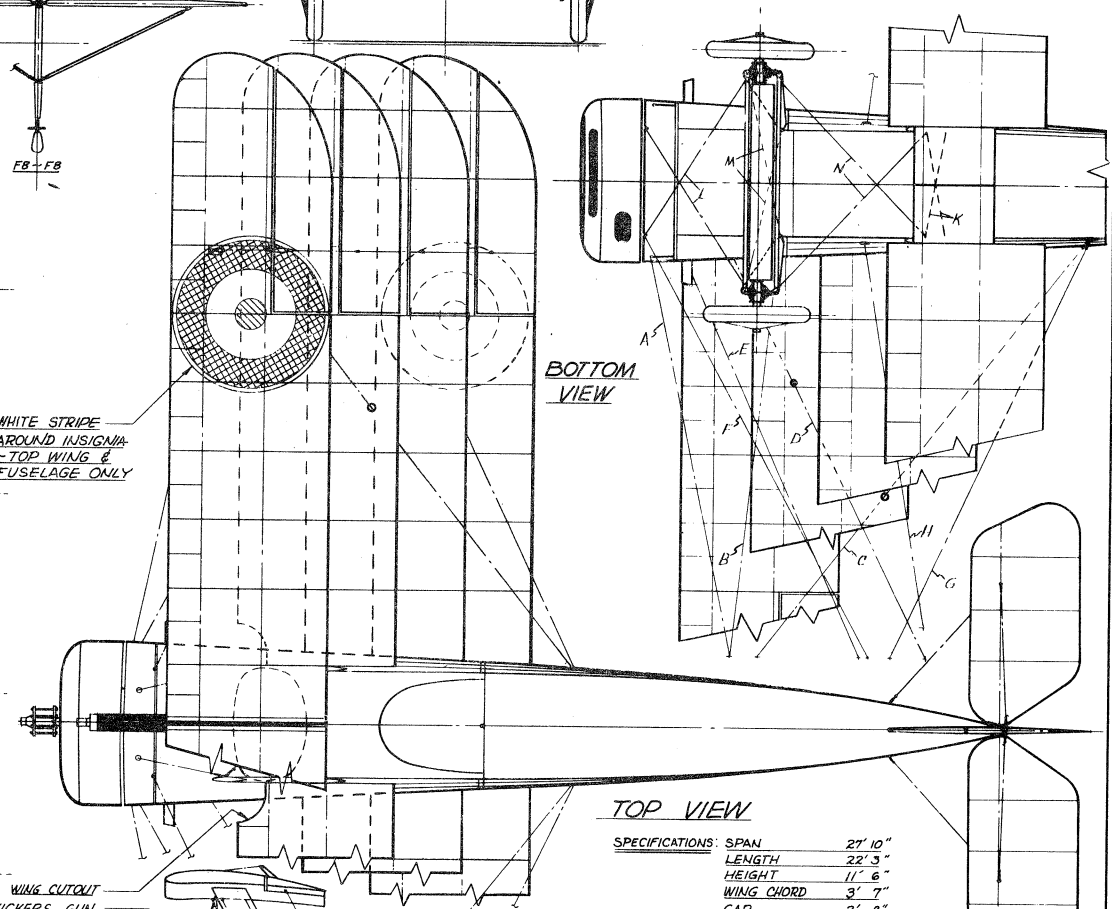
F2-F2

F1-F1

WHITE STRIPE
AROUND INSIGNIA -
TOP WING &
FUSELAGE ONLY

WING CUTOOUT
VICKERS GUN

COWLINGS - BARE METAL



BOTTOM VIEW

TOP VIEW

SPECIFICATIONS:

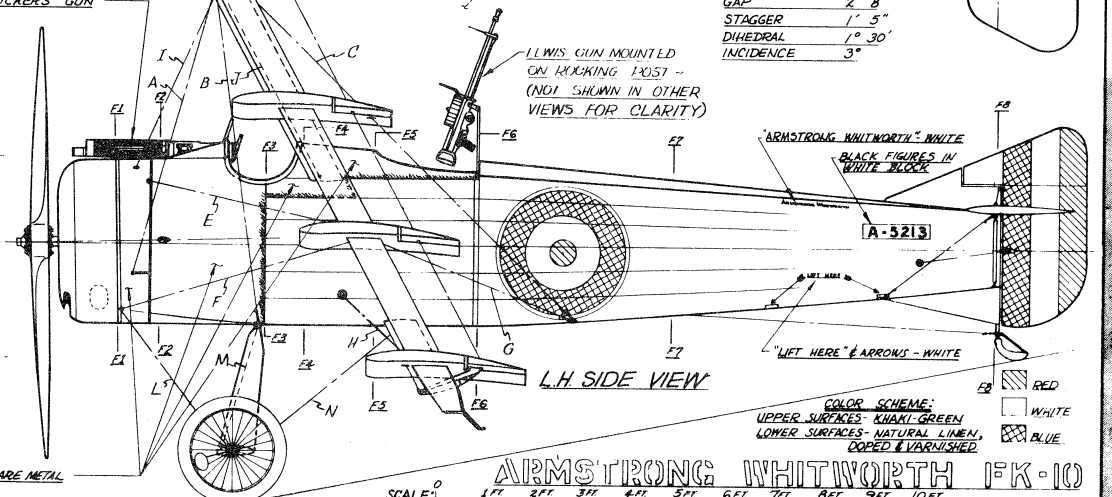
SPAN	27' 10"
LENGTH	22' 3"
HEIGHT	11' 6"
WING CHORD	3' 7"
GAP	2' 8"
STAGGER	1' 5"
DIHEDRAL	1° 30'
INCIDENCE	3°

LLWIS GUN MOUNTED
ON REARING POST -
(NOT SHOWN IN OTHER
VIEWS FOR CLARITY)

ARMSTRONG WHITWORTH WHITE
BLACK FIGURES IN
WHITE BLOCK

[A-5213]

"LIFT HERE" & ARROWS - WHITE



L.H. SIDE VIEW

COLOR SCHEME:
UPPER SURFACES - KHAKI-GREEN
LOWER SURFACES - NATURAL LINEN,
DOPED & VARNISHED



ARMSTRONG WHITWORTH 1-K-10

SCALE: 0 1 FT 2 FT 3 FT 4 FT 5 FT 6 FT 7 FT 8 FT 9 FT 10 FT
Drawn By Jim Morrow