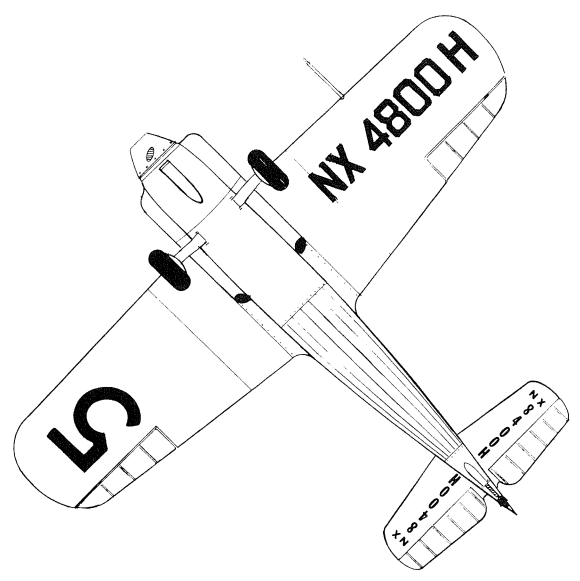
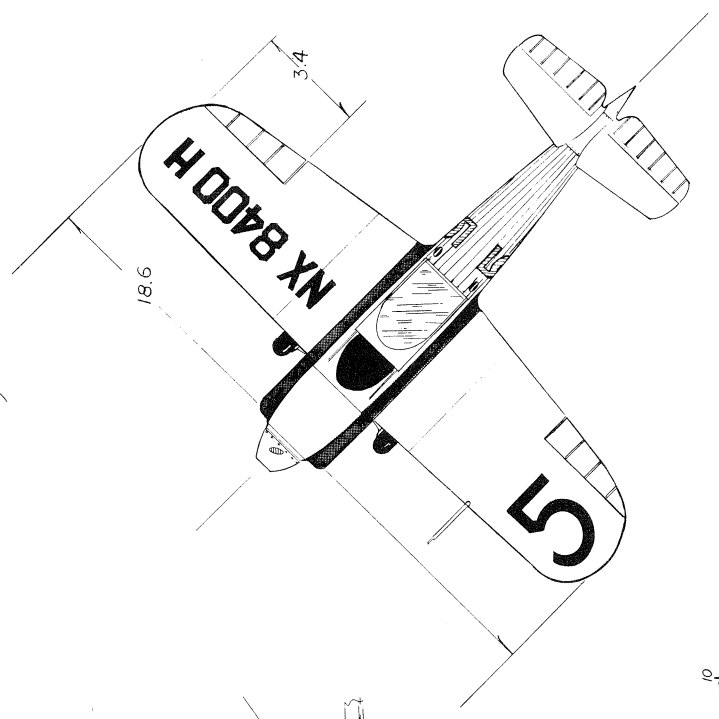
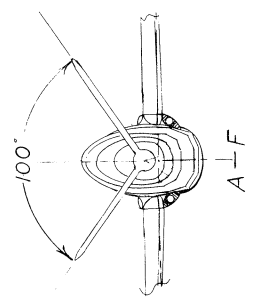
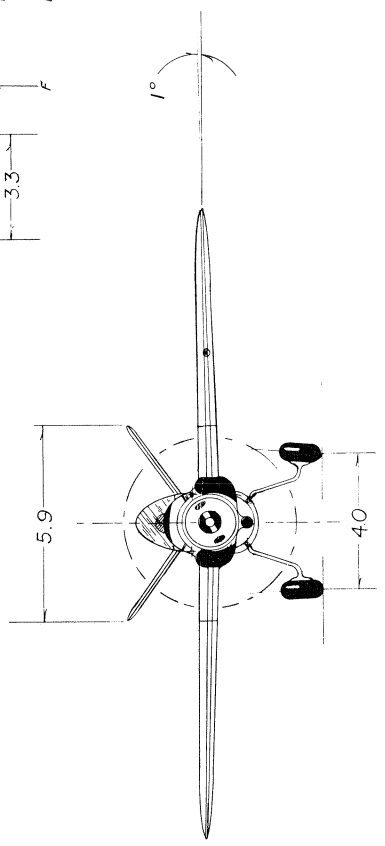
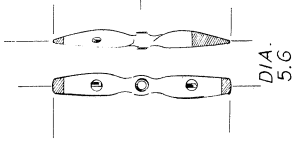
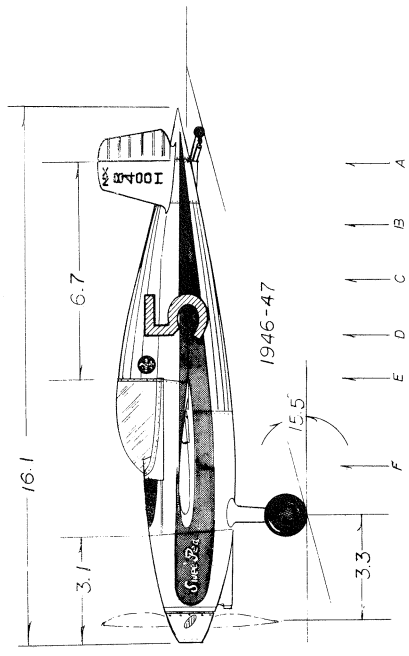
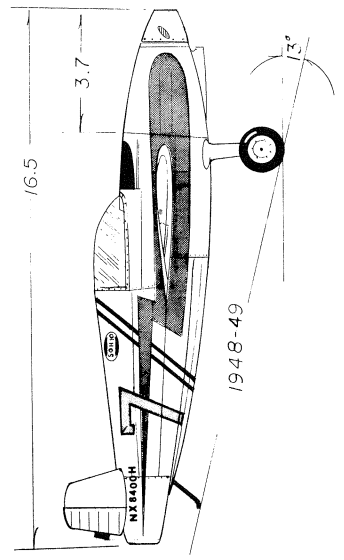


1946
PLANNED

ART CHESTER
300 SERIES
ALTERNATE DESIGN SHEETS

© 1966

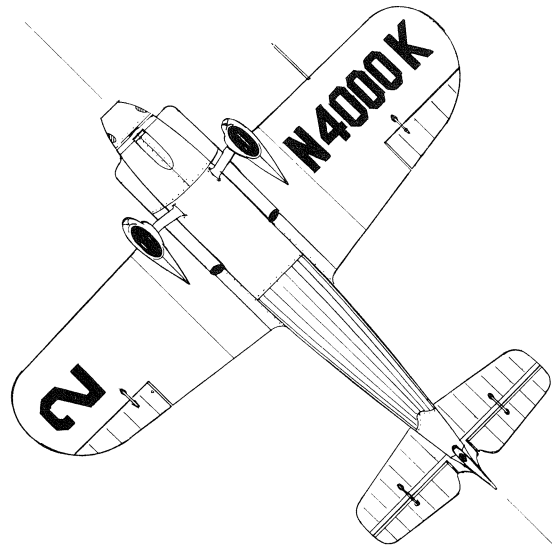
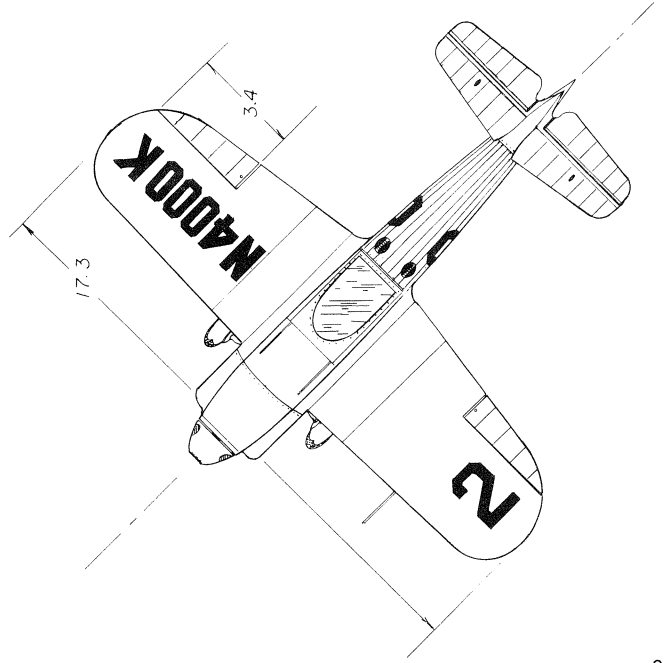
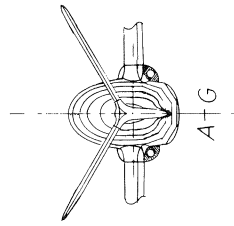
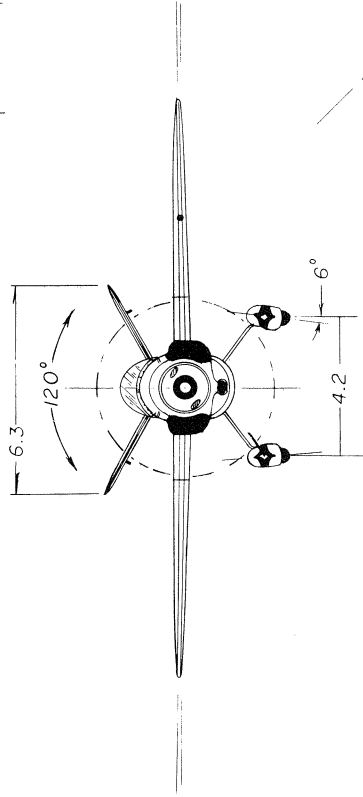
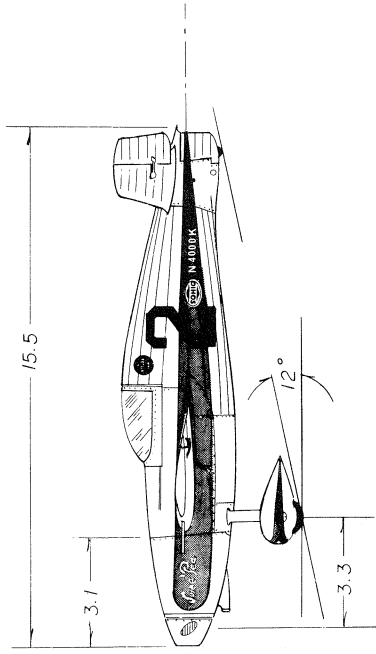
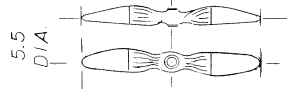
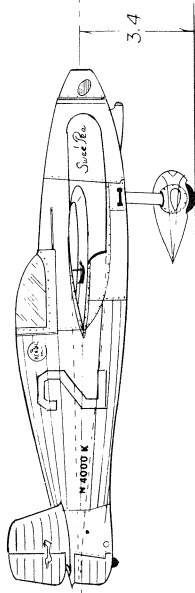


1946-49

0 5 10

© ART CHESTER 1966
"SWEET PEAS" SHEET 6

A →
B →
C →
D →
E →
F →
G →



1948-49



© 1966
ART CHESTER
SWEET PEA
SHEET 7
II