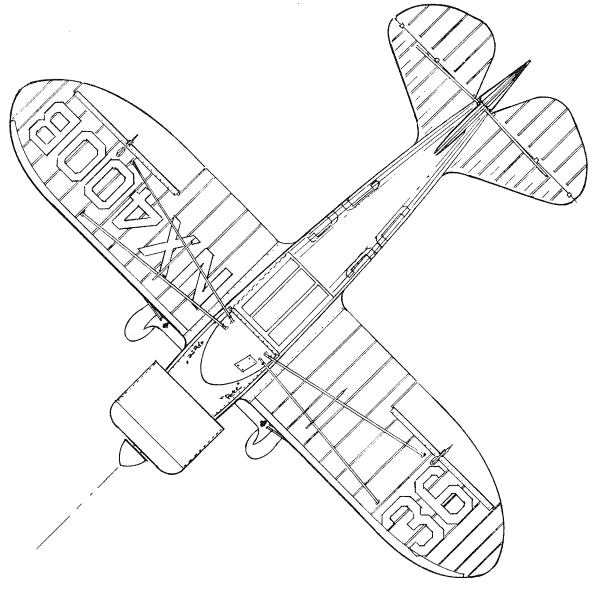
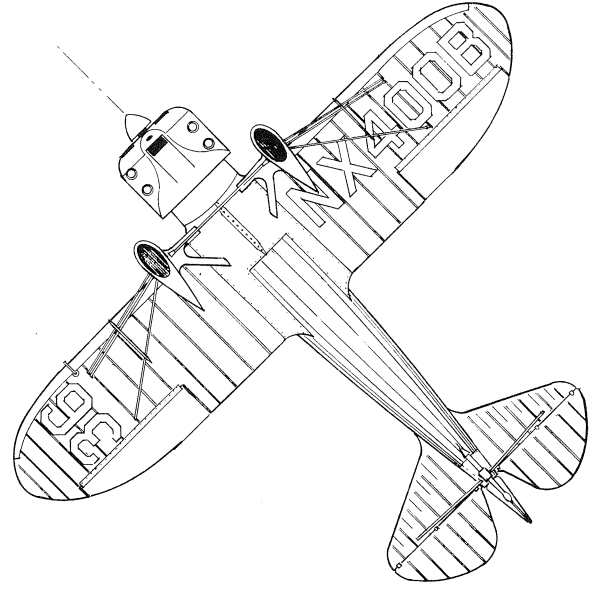
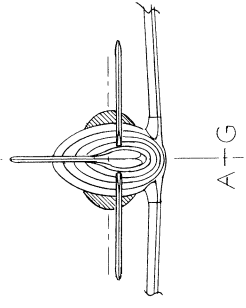
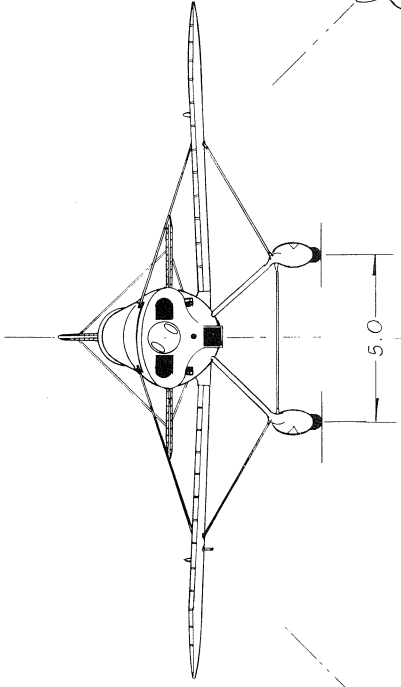
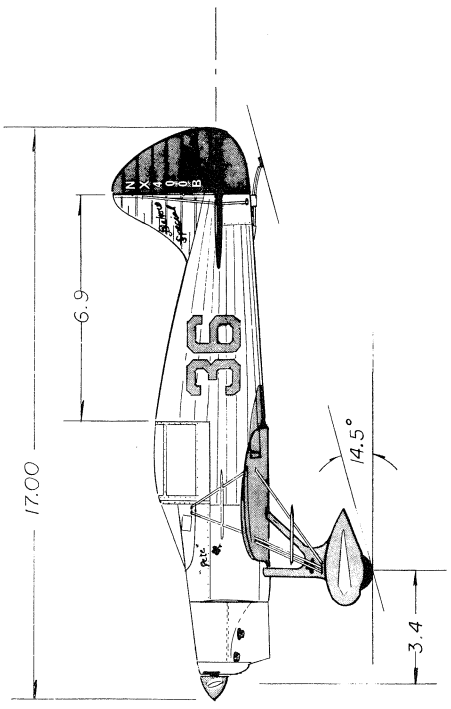
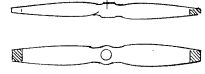
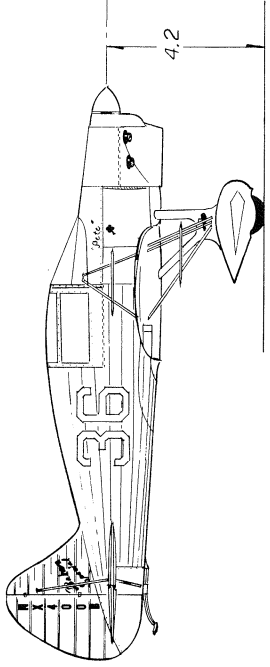


A B C D E F



COLOR:  
OFF-WHITE / RED

**BAKERS SPECIAL**  
PETE  
HOWARD DGA 3

© 5/16  
1968  
RS HIRSCH