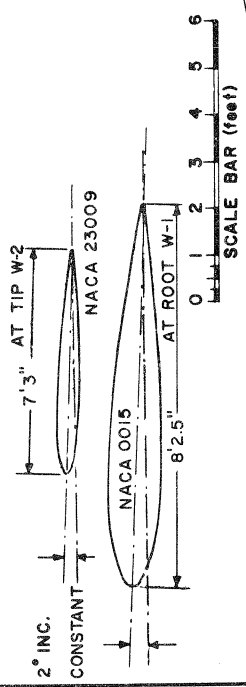


GENERAL SPECIFICATIONS

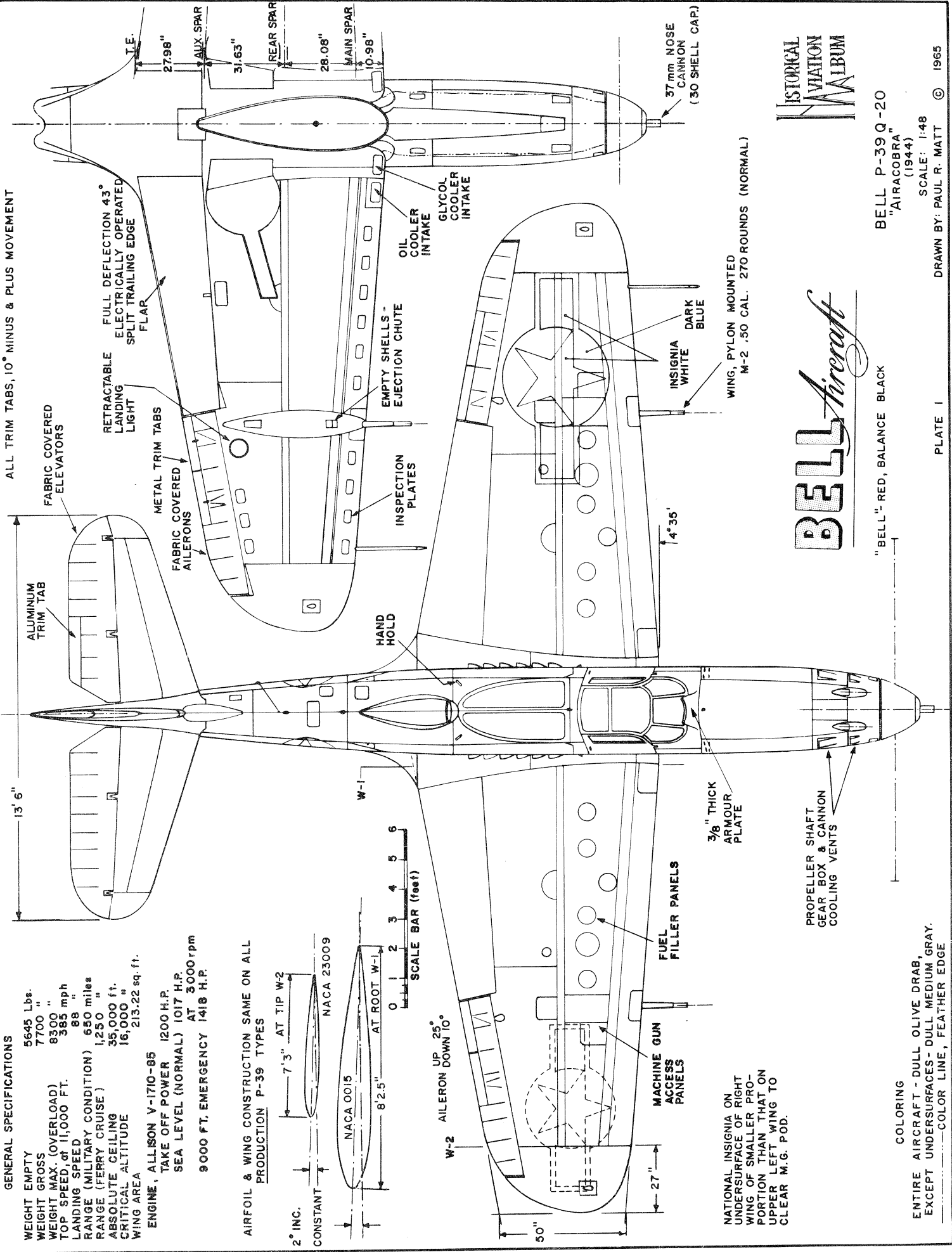
WEIGHT EMPTY 5645 Lbs.
 WEIGHT GROSS 7700 "
 WEIGHT MAX. (OVERLOAD) 8300 "
 TOP SPEED OF 11,000 FT. 385 mph
 LANDING SPEED 88 "
 RANGE (MILITARY CONDITION) 650 miles
 RANGE (FERRY CRUISE) 1,250 "
 ABSOLUTE CEILING 35,000 ft.
 CRITICAL ALTITUDE 16,000 "
 WING AREA 213.22 sq. ft.

ENGINE, ALLISON V-1710-85
 TAKE OFF POWER 1200 H.P.
 SEA LEVEL (NORMAL) 1017 H.P.
 AT 3000 rpm
 9000 FT. EMERGENCY 1418 H.P.

AIRFOIL & WING CONSTRUCTION SAME ON ALL PRODUCTION P-39 TYPES



ALL TRIM TABS, 10° MINUS & PLUS MOVEMENT



NATIONAL INSIGNIA ON UNDERSURFACE OF RIGHT WING OF SMALLER PORTION THAN THAT ON UPPER LEFT WING TO CLEAR M.G. POD.

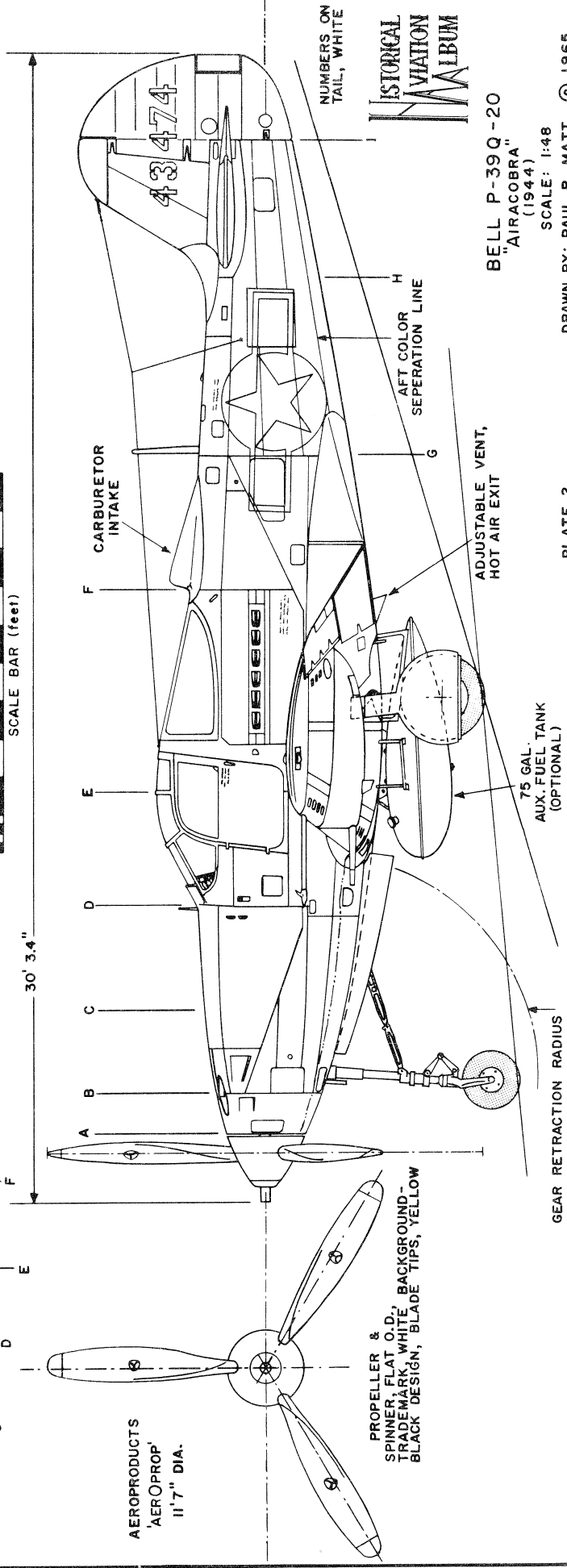
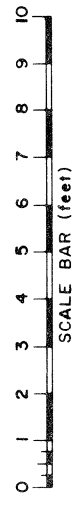
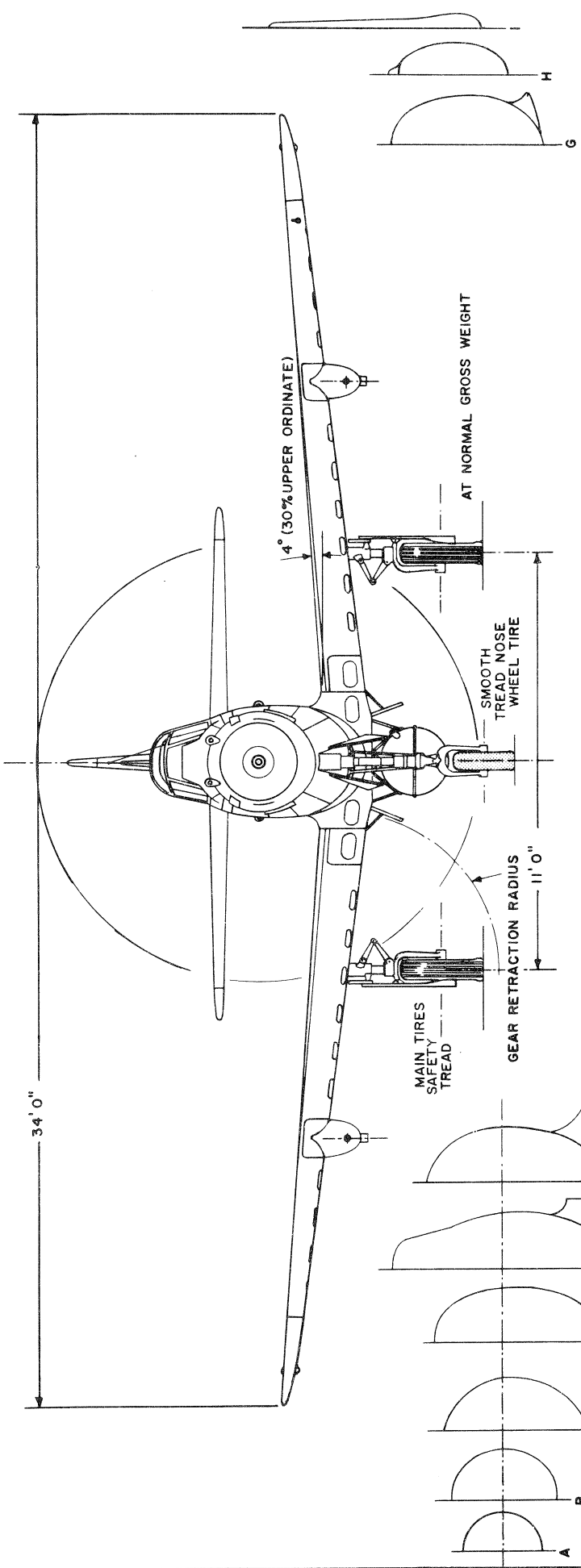


BELL Aircraft

BELL P-39Q-20
 "AIRCOBRA"
 (1944)

COLORING
 ENTIRE AIRCRAFT - DULL OLIVE DRAB,
 EXCEPT UNDERSURFACES - DULL MEDIUM GRAY.
 --- COLOR LINE, FEATHER EDGE

"BELL" RED, BALANCE BLACK



ISTORICAL AVIATION ALBUM

BELL P-39Q-20
"AIRACOBRA"
(1944)

SCALE: 1:48

PLATE 2

DRAWN BY: PAUL R. MATT © 1965