

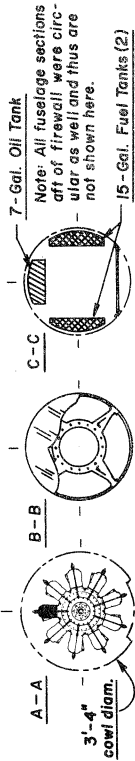
### MAURICE BERCKMANS SPEED SCOUT

The Berckmans Scout was designed and built in late 1916 as an entry in the Army Signal Corps competition for a light advanced pursuit trainer. Only a single example was built, as the contract for volume production went to Thomas-Morse for a modified version of their prototype S-4. Not acquired by the military, it was flown under civilian status after the outbreak of war, taking part in a number of Liberty Bond drives.

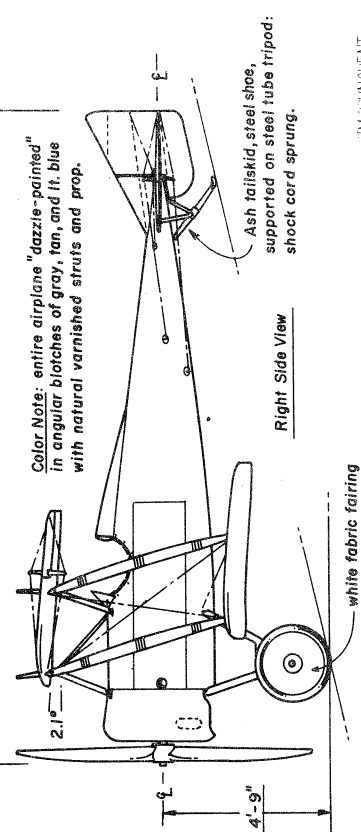
**Performance:** High speed, (s.l.) 96 mph; climb to 1,100 ft. the first minute. Recorded climb during tests -- to 22,000 ft. and return in 27 minutes... verified by recording barograph! Landing speed, 47 mph. Range, 2.5 hrs.

**Design Data:** Gross wt., 1,190 lb. Empty wt., 820 lb. Useful load, 370 lb. Airfoil, Eiffel 32.

**Engine:** 100 hp. 9 cyl. Gnome B9 rotary (mfd. under license by General Vehicle Co.), rated hp. at 1200 rpm, 110 mm. bore, 150 mm. stroke. Wt., including vaporizer (carburetor) - 272 lb. Consumption, 12 gal. fuel, 2.5 gal. castor oil per hr.



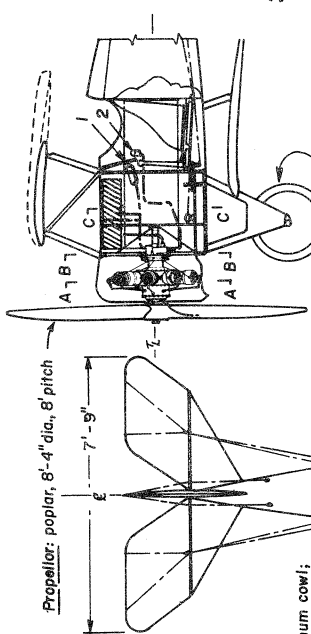
Note: All fuselage sections aft of firewall were circular as well and thus are not shown here.



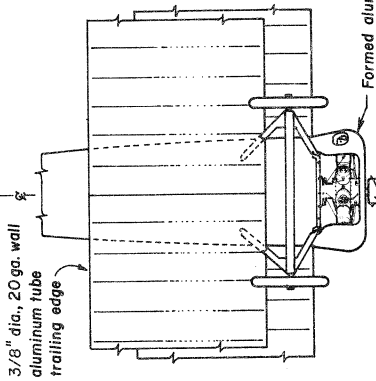
Right Side View

Ash tailskid, steel shoe, supported on steel tube tripod; shock cord sprung.

**General Notes:** cabane and landing gear struts steel tubes faired with light wood and wrapped with pinked linen tape. 1/16" thick U channel steel hoops riveted inside fwd. fuselage at cabane, i.g. strut attach points. Pressurized fuel & oil systems: engine pumps plus hand air pump (1) and oil pulsator glass (2).



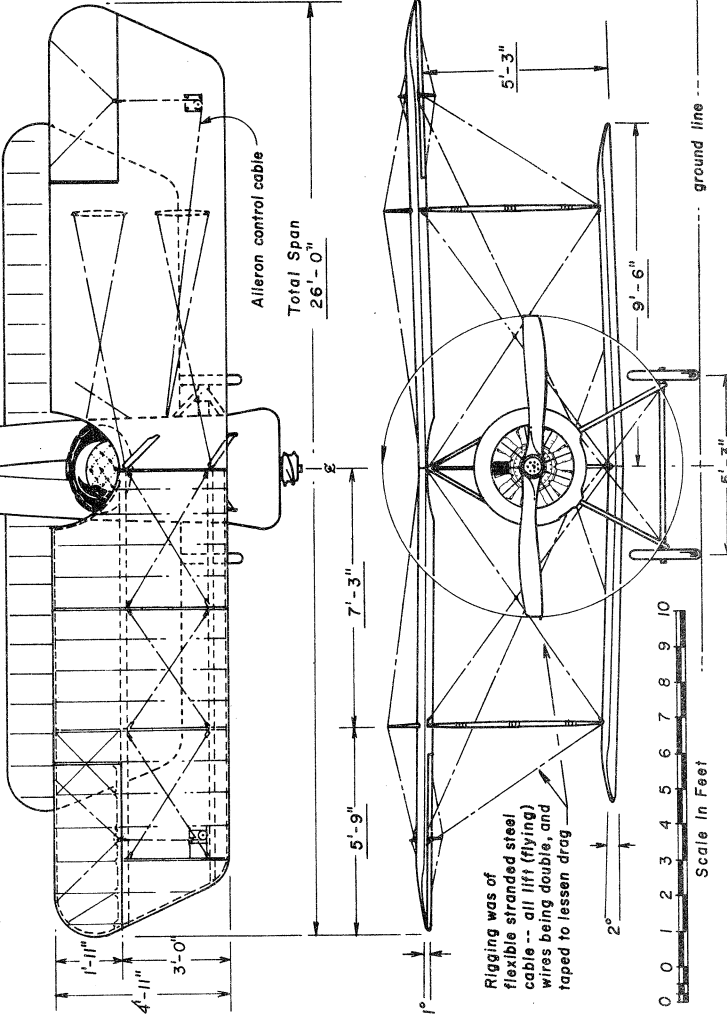
Acme/Ackerman self-sprung wheels used spokes of looped flat spring-steel ribbon to absorb landing and taxiing shocks -- no rubber cord employed.



Formed aluminum cowl; cooling slot left side only (viewed from prop hub).

**Wing Structure**  
Spruce main spar and leading edge, aft spar of ash. Ribs used spruce battens and 3-ply birch and gum webs.

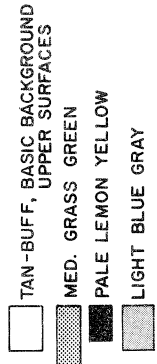
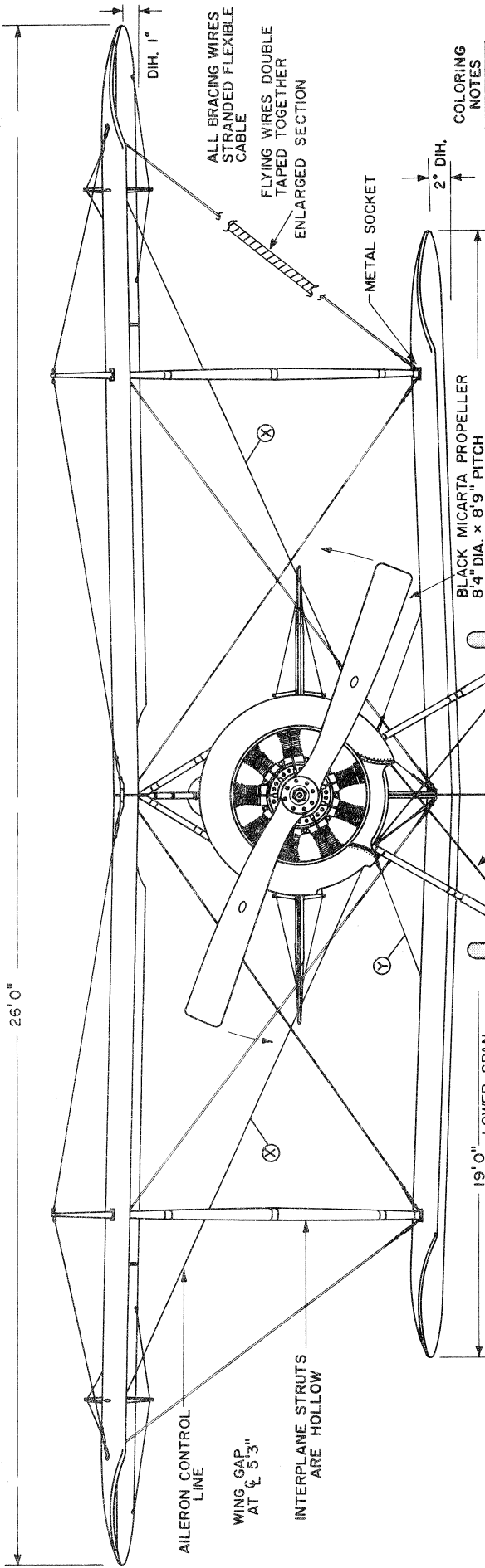
**Fuselage Structure**  
Plywood monocoque shell-- 3-ply aft of cockpit, with 4 plies in forward section.



Scale In Feet

ground line

26' 0"

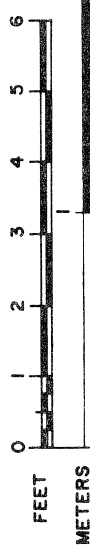


**COLORING NOTES**

- TAN-BUFF, BASIC BACKGROUND UPPER SURFACES
- MED. GRASS GREEN
- PALE LEMON YELLOW
- LIGHT BLUE GRAY

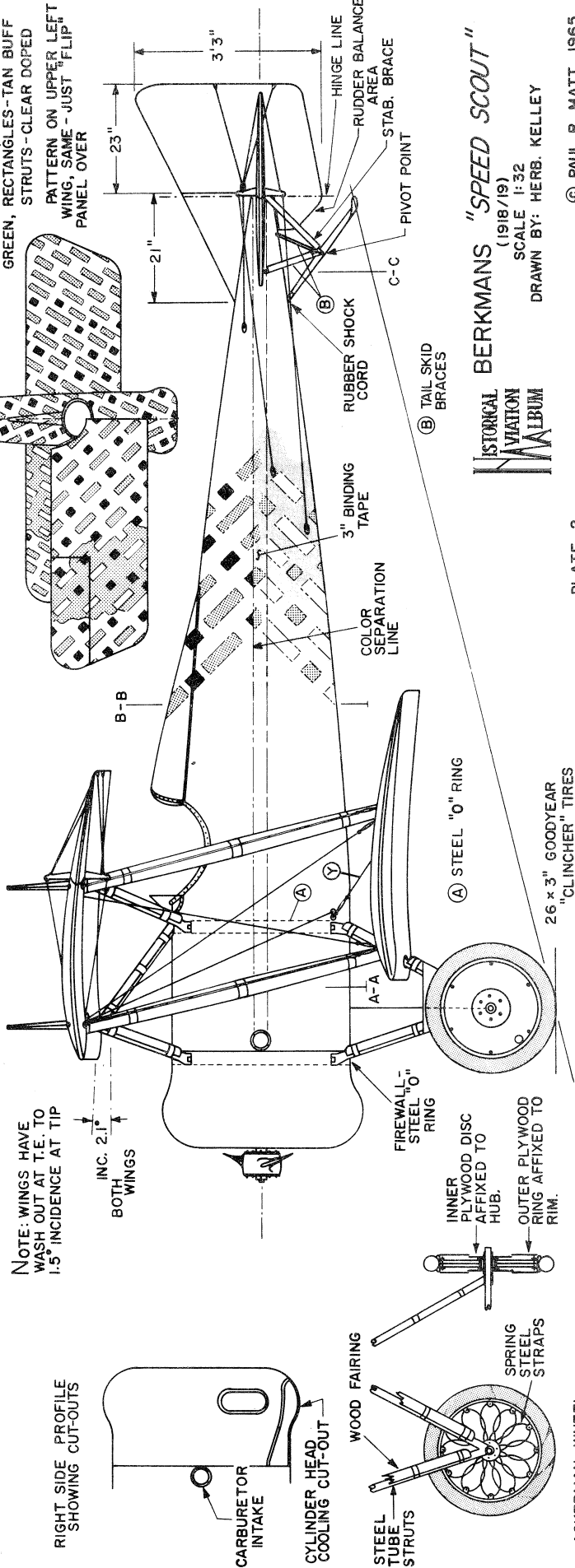
UNDERSURFACES & BELOW COLOR LINE ON FUSELAGE, BACKGROUND WAS BLUE GRAY, SQUARES-MED. GREEN, RECTANGLES-TAN BUFF STRUTS - CLEAR DOPED

PATTERN ON UPPER LEFT WING, SAME - JUST "FLIP" PANEL OVER



NOTE: WINGS HAVE WASH OUT AT T.E. TO 1.5° INCIDENCE AT TIP

BOTH WINGS INC. 2.1°



RIGHT SIDE PROFILE SHOWING CUT-OUTS

**BERKMANS "SPEED SCOUT"**  
(1918/19)

SCALE 1:32  
DRAWN BY: HERB. KELLEY



