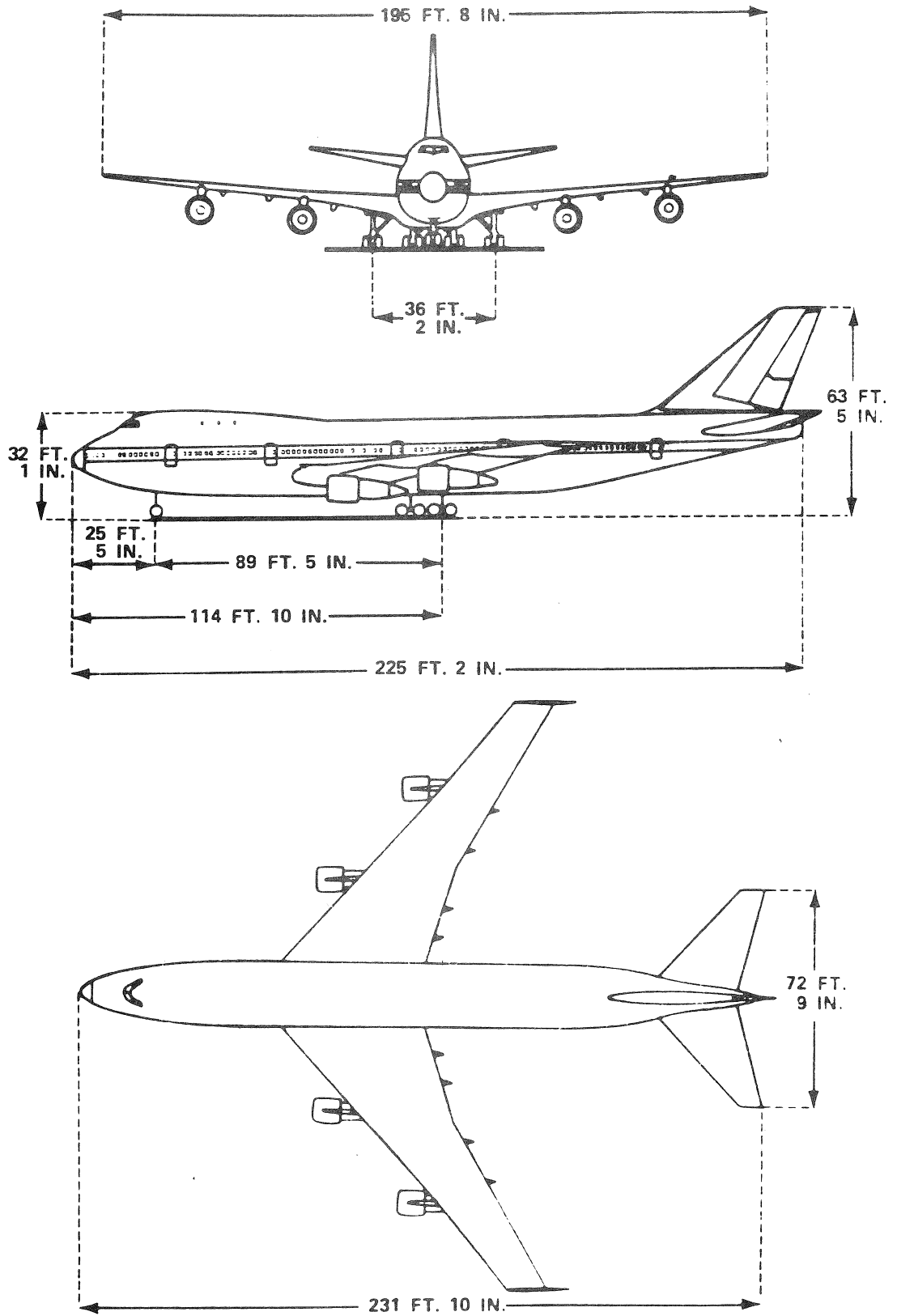


**BOEING 747**  
**OPERATIONS MANUAL**

AIRPLANE GENERAL  
PRINCIPAL DIMENSIONS



PRINCIPAL DIMENSIONS