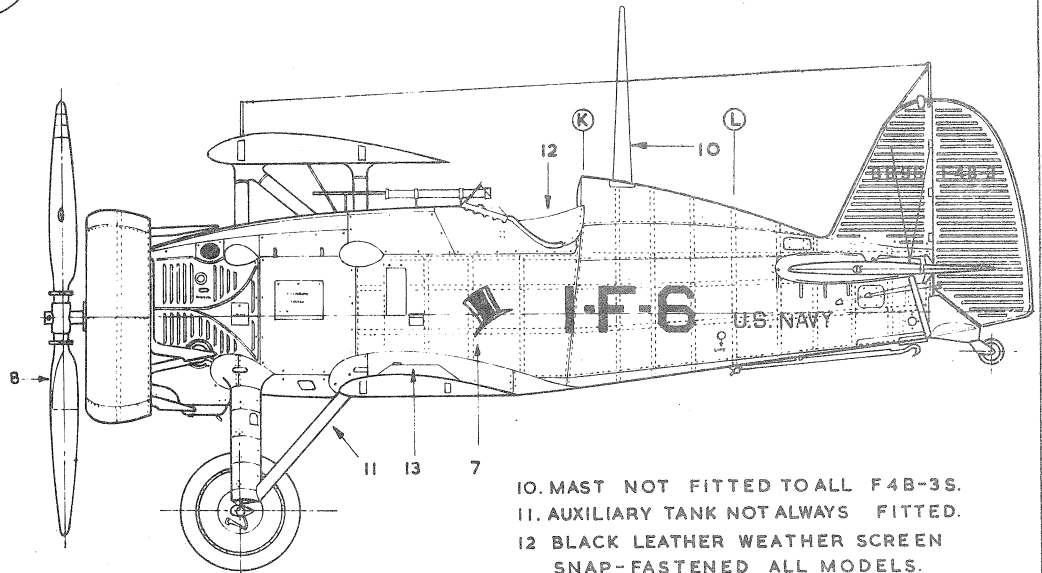


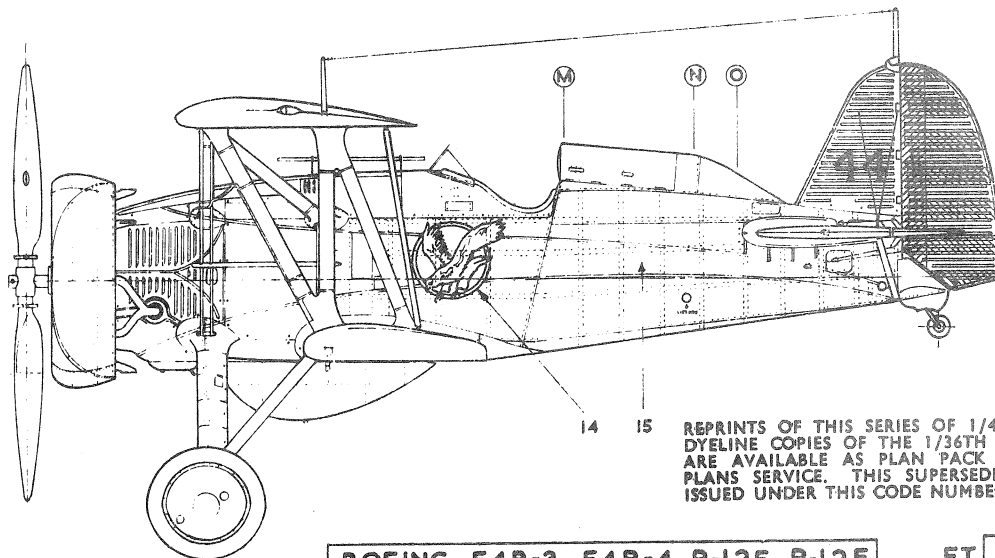
LEFT SIDE F4B-4
SQUADRON VF-6
ABOARD THE U.S.S.
SARATOGA. TAIL,
INCLUDING FILLETS,
ALL WHITE.

- 6. FUSELAGE BAND, RING COWL, FRONT COWL,
AND WING CHEVRON, GREEN SECTION COLOUR.
- 7. SQUADRON EMBLEMS, BLACK AND WHITE.
- 8. BLACK REAR SURFACE OUT TO COWL RADIUS.
- 9. FROM TIP INWARDS, RED YELLOW BLUE.

LEFT SIDE F4B-3
LEFT WING, STRUTS
& WHEEL REMOVED.
SQUADRON VF-1
ON U.S.S. SARATOGA.
ENTIRE TAIL RED.
WING CHEVRON, LOWER
HALF OF RING AND
FRONT COWLS, WHITE.
ALL LETTERING AND
NUMERALS BLACK
EXCEPT WHITE ON
TAIL.



- 10. MAST NOT FITTED TO ALL F4B-3S.
- 11. AUXILIARY TANK NOT ALWAYS FITTED.
- 12. BLACK LEATHER WEATHER SCREEN
SNAP-FASTENED ALL MODELS.
- 13. BATTERY HOUSING
- 14. FALCON PROPER, RED DISC, WHITE OUTLINE
- 15. ORANGE-YELLOW WITH BLACK OUTLINE



LEFT SIDE P-12F.
UNDERCARRIAGE IN
FLYING POSITION.
27TH. PURSUIT SQDN.
P-12E SIMILAR,
SOME WITH F4B-3
TYPE HEADREST.

REPRINTS OF THIS SERIES OF 1/48TH SCALE DRAWINGS AND
DYELINE COPIES OF THE 1/36TH SCALE ORIGINAL DRAWINGS
ARE AVAILABLE AS PLAN PACK 2673 FROM AEROMODELLER
PLANS SERVICE. THIS SUPERSEDES THE PREVIOUS DRAWING
ISSUED UNDER THIS CODE NUMBER.