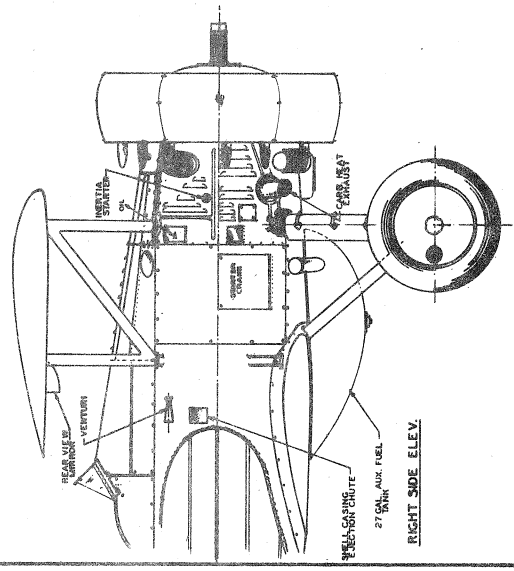
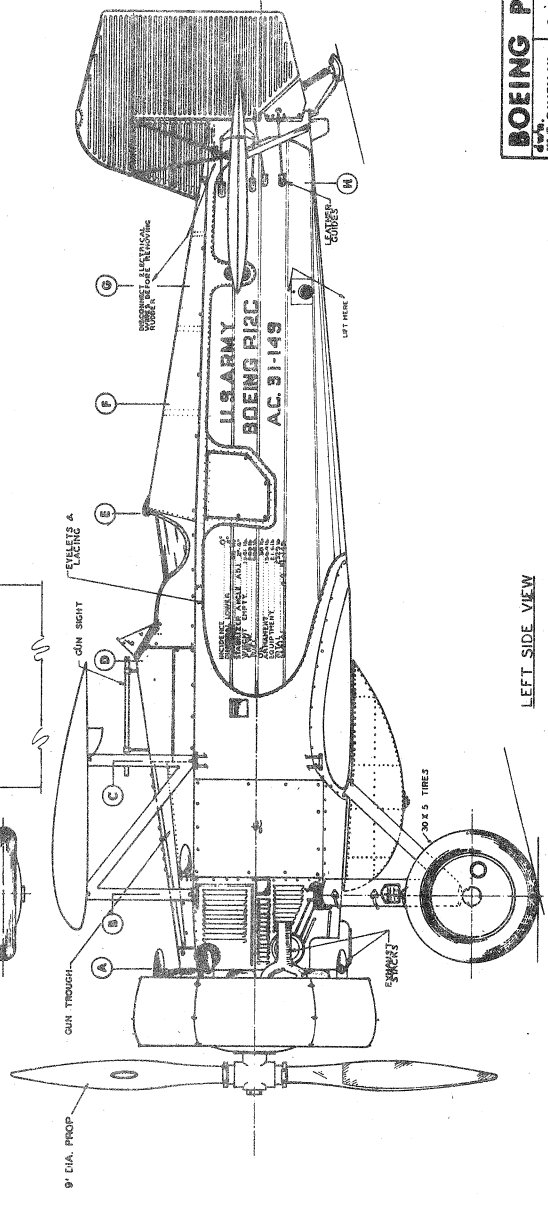
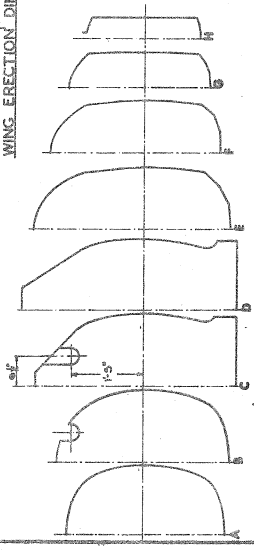
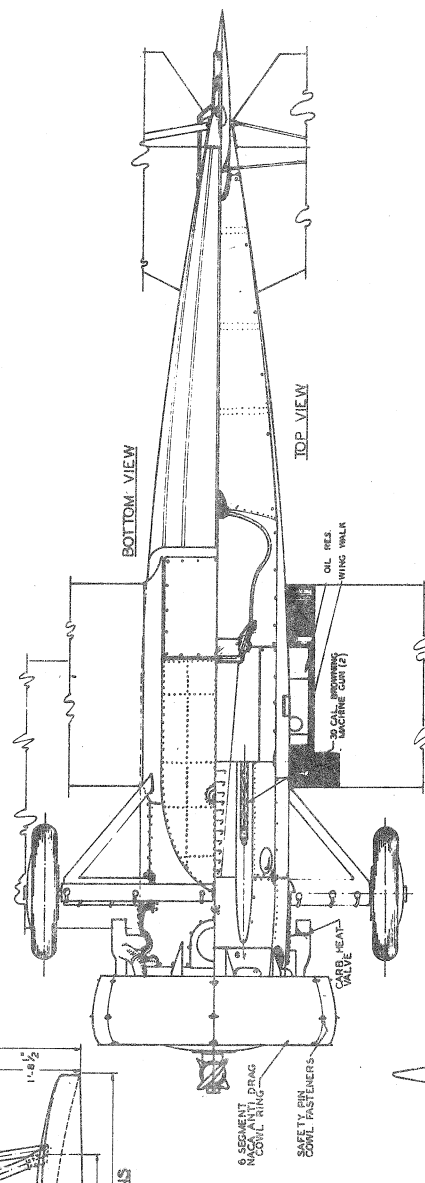


1. MAGNETIC COMPASS
2. ALTITUDE
3. TACHOMETER
4. TURN & SLIP INDICATOR
5. FUEL GAUGE
6. FUEL GAUGE
7. OIL HEAD TEMP.
8. OIL TEMP.
9. OIL PRESSURE
10. SWITCHES
11. SIGNAL SWINGS



LEFT SIDE VIEW

RIGHT SIDE ELEV.