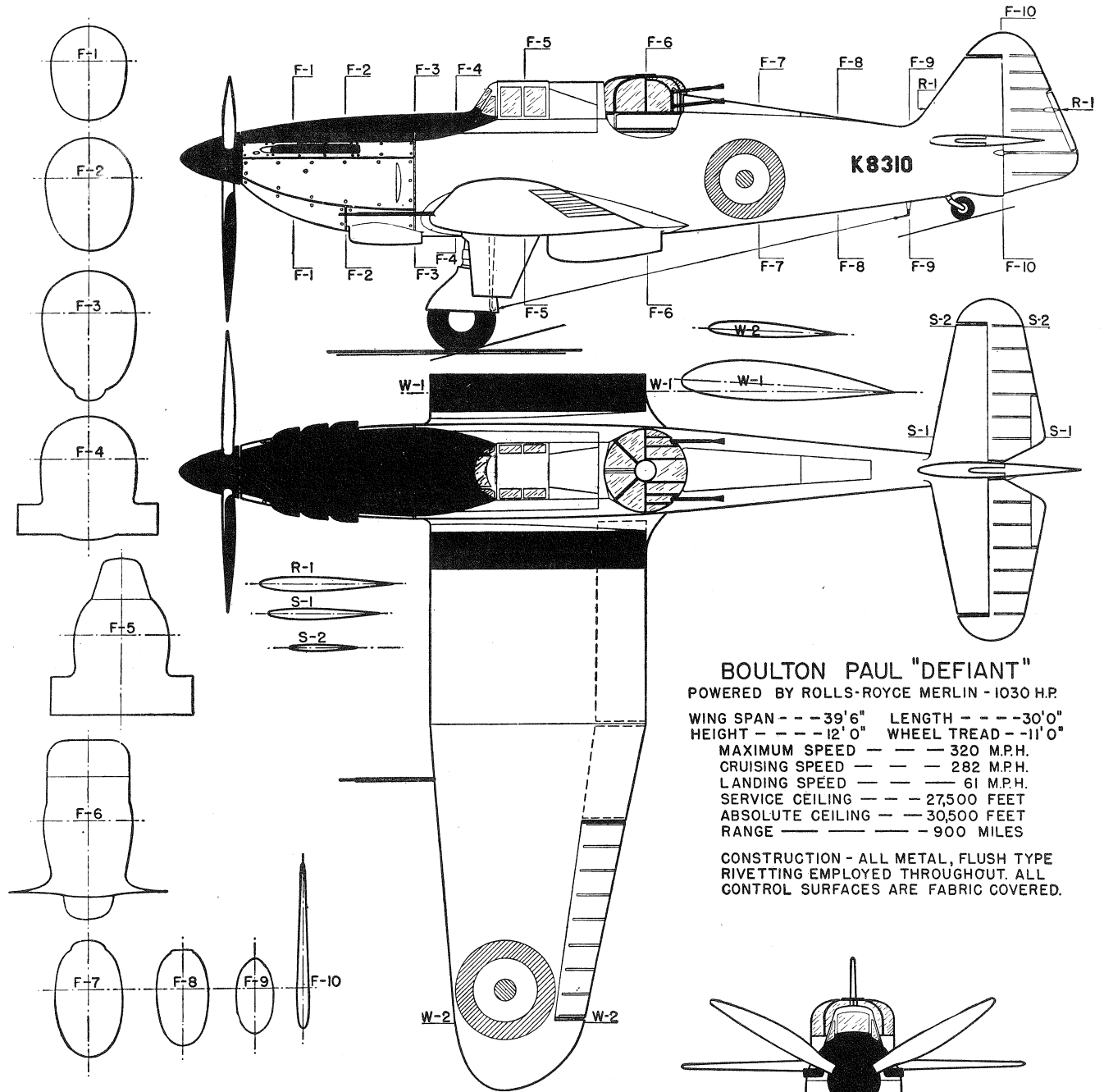


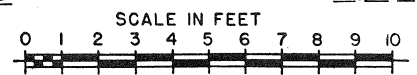
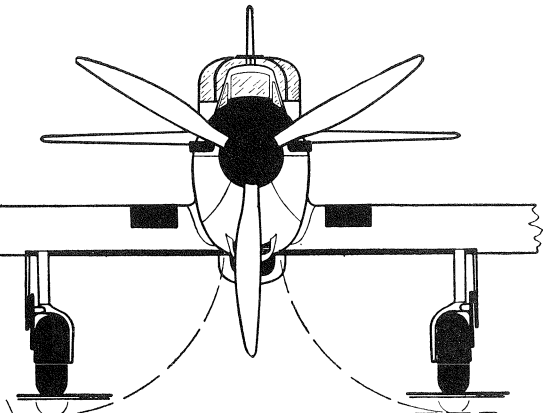
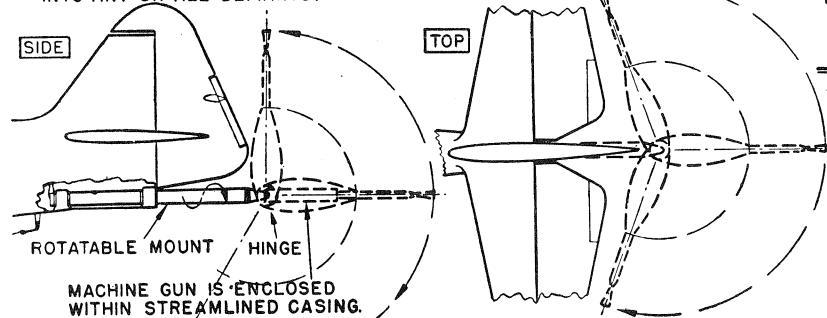
# THE DEFIANT-BRITISH MULTI-GUN FIGHTER



**BOULTON PAUL "DEFIANT"**  
 POWERED BY ROLLS-ROYCE MERLIN - 1030 H.P.  
 WING SPAN --- 39'6"    LENGTH --- 30'0"  
 HEIGHT --- 12'0"    WHEEL TREAD --- 11'0"  
 MAXIMUM SPEED --- 320 M.P.H.  
 CRUISING SPEED --- 282 M.P.H.  
 LANDING SPEED --- 61 M.P.H.  
 SERVICE CEILING --- 27,500 FEET  
 ABSOLUTE CEILING --- 30,500 FEET  
 RANGE --- 900 MILES

CONSTRUCTION - ALL METAL, FLUSH TYPE RIVETTING EMPLOYED THROUGHOUT. ALL CONTROL SURFACES ARE FABRIC COVERED.

DETAILS SHOWN BELOW OF REMOTE-CONTROLLED MACHINE GUN MOUNTED UNDER RUDDER OF "DEFIANT." AT THE TIME THAT THESE PLANS WERE DRAWN, IT WAS NOT KNOWN WHETHER THIS FEATURE WAS INCORPORATED INTO ANY OR ALL "DEFIANTS".



NOTE:- TAIL GUN AT LEFT SWIVELS ON ONLY ONE AXIS, BUT DUE TO THE FACT THAT THE MOUNT CAN BE ROTATED FIELD OF FIRE IS UNRESTRICTED TO THE REAR.