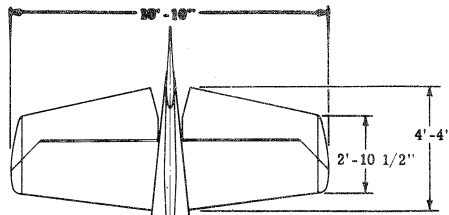
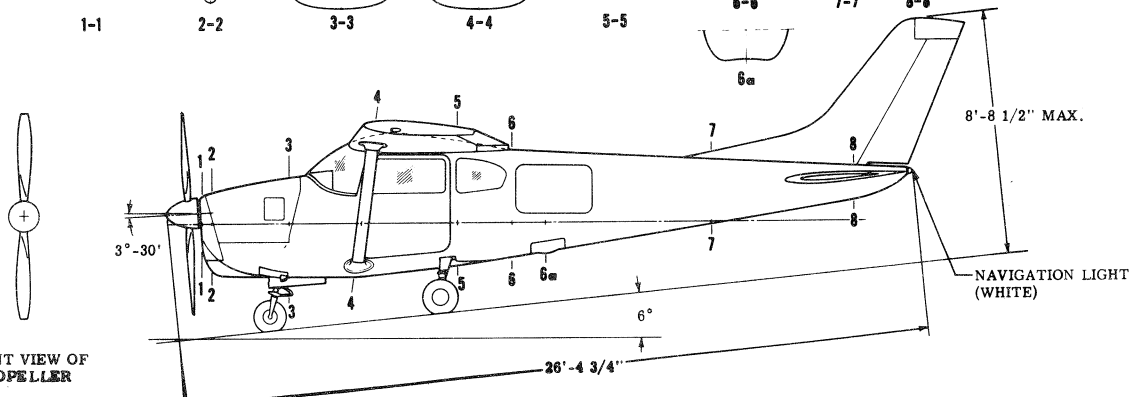
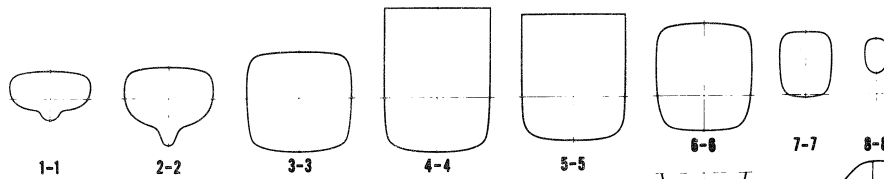
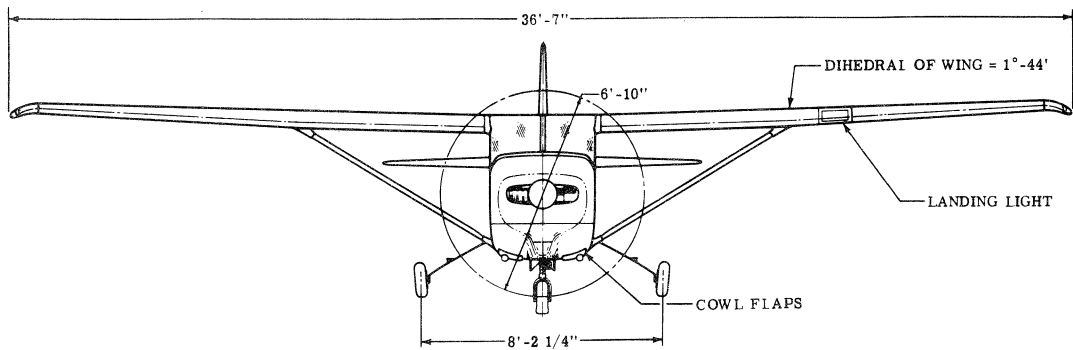
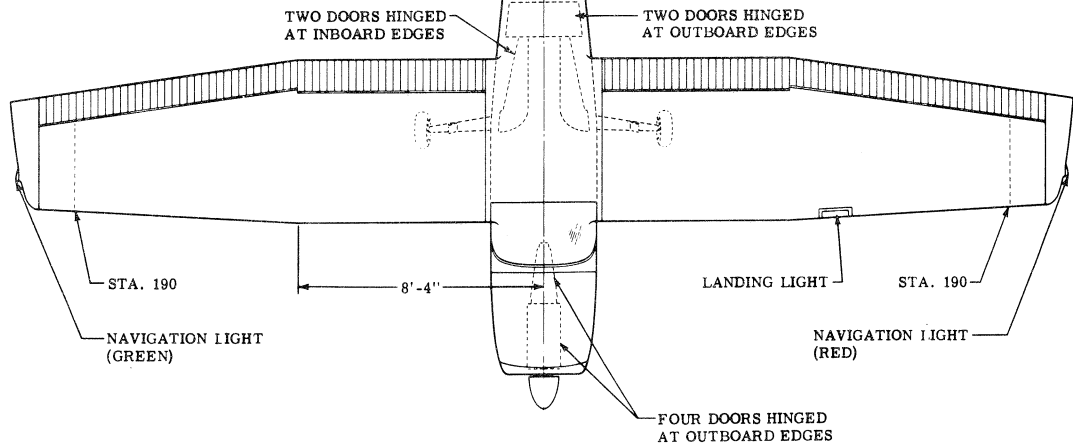


1960 Cessna 210



AIRFOILS

WING:
 ☉ AIRPLANE TO STA. 190 NACA2412
 TIP - SYMMETRICAL
 TAIL (VERTICAL)
 ROOT (LESS DORSAL) NACA0009
 TIP - NACA0006
 TAIL (HORIZONTAL)
 ☉ AIRPLANE - NACA0009
 TIP - NACA0006



FRONT VIEW OF
PROPELLER