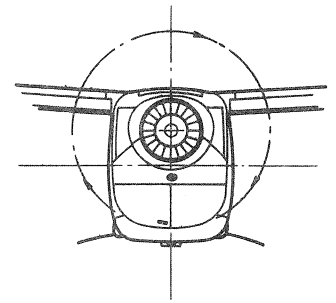
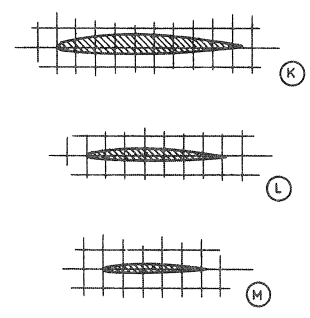
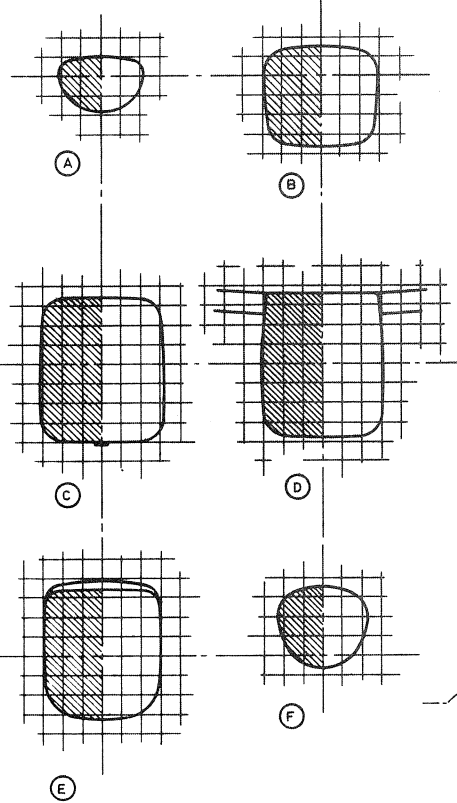
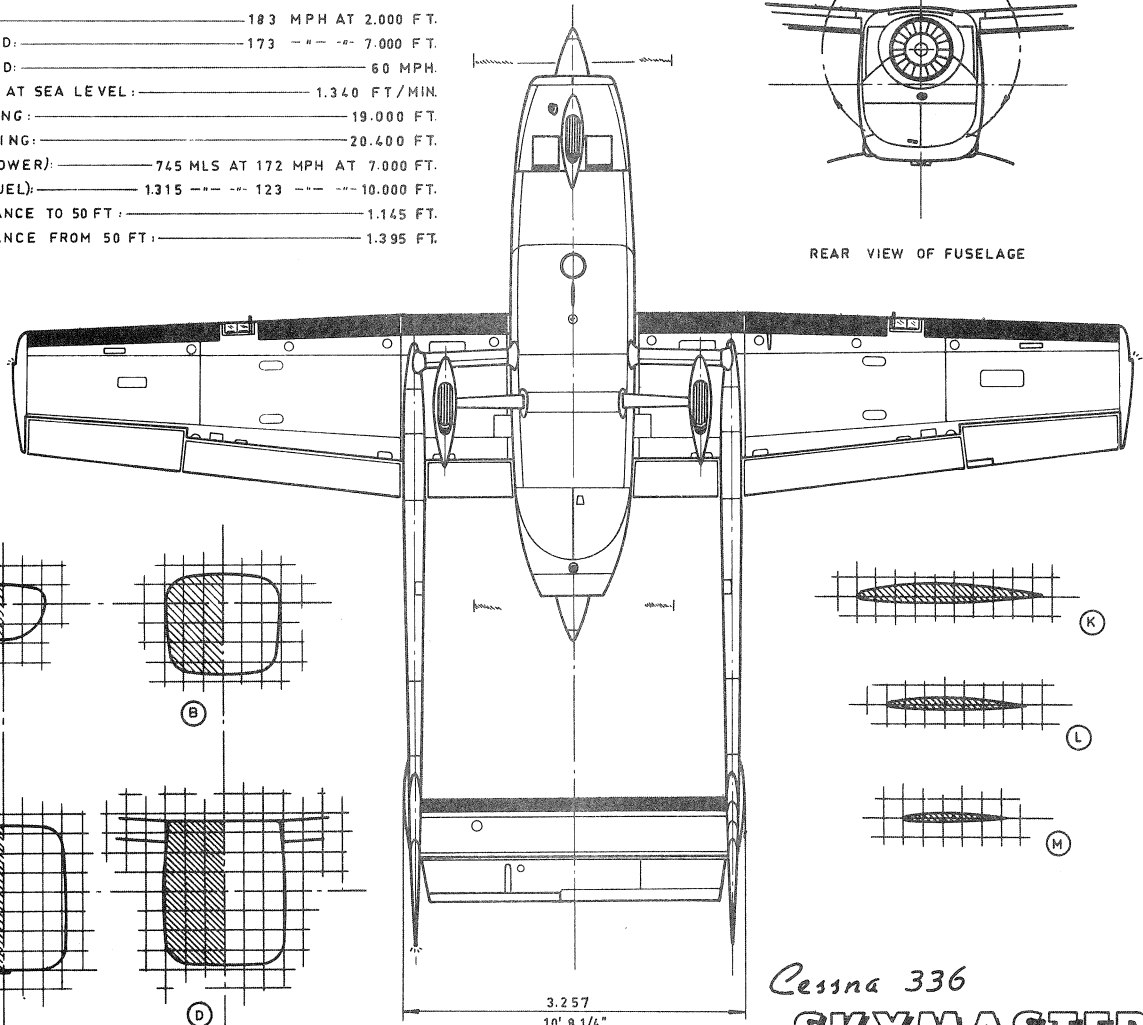


STARBOARD TAIL BOOM AND WING STRUT
OMITTED IN THIS PICTURE FOR ADDED
CLEARNESS

TOP SPEED: _____ 183 MPH AT 2,000 FT.
 CRUISING SPEED: _____ 173 " " " 7,000 FT.
 STALLING SPEED: _____ 60 MPH.
 RATE OF CLIMB AT SEA LEVEL: _____ 1,340 FT/MIN.
 SERVICE CEILING: _____ 19,000 FT.
 ABSOLUTE CEILING: _____ 20,400 FT.
 RANGE (75% POWER): _____ 745 MLS AT 172 MPH AT 7,000 FT.
 RANGE (MAX. FUEL): _____ 1,315 " " " 123 " " " 10,000 FT.
 TAKE-OFF DISTANCE TO 50 FT: _____ 1,145 FT.
 LANDING DISTANCE FROM 50 FT: _____ 1,395 FT.



REAR VIEW OF FUSELAGE



Cessna 336
SKYMASTER

ANTENNA ON PORT
TAIL BOOM ONLY

