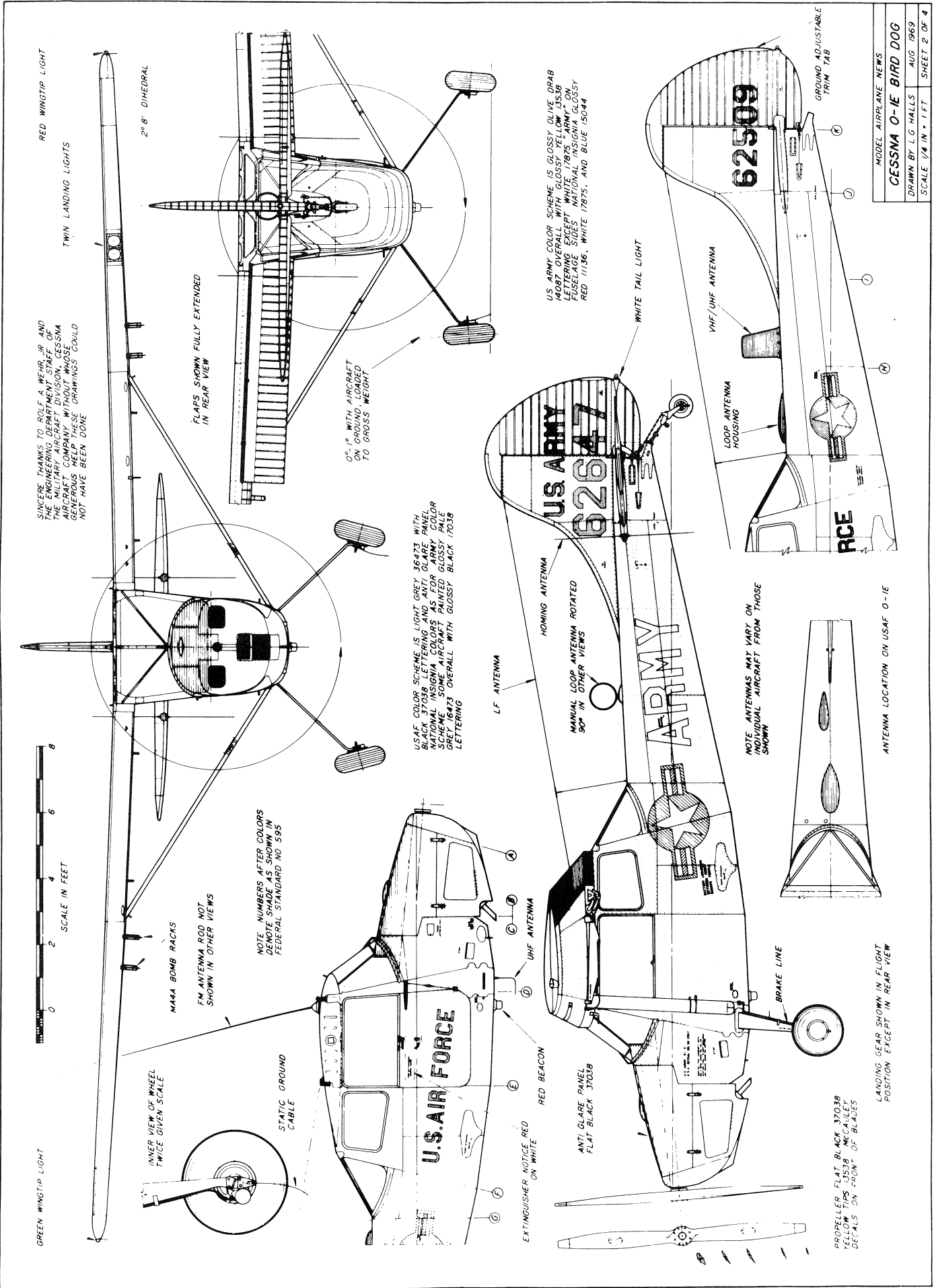
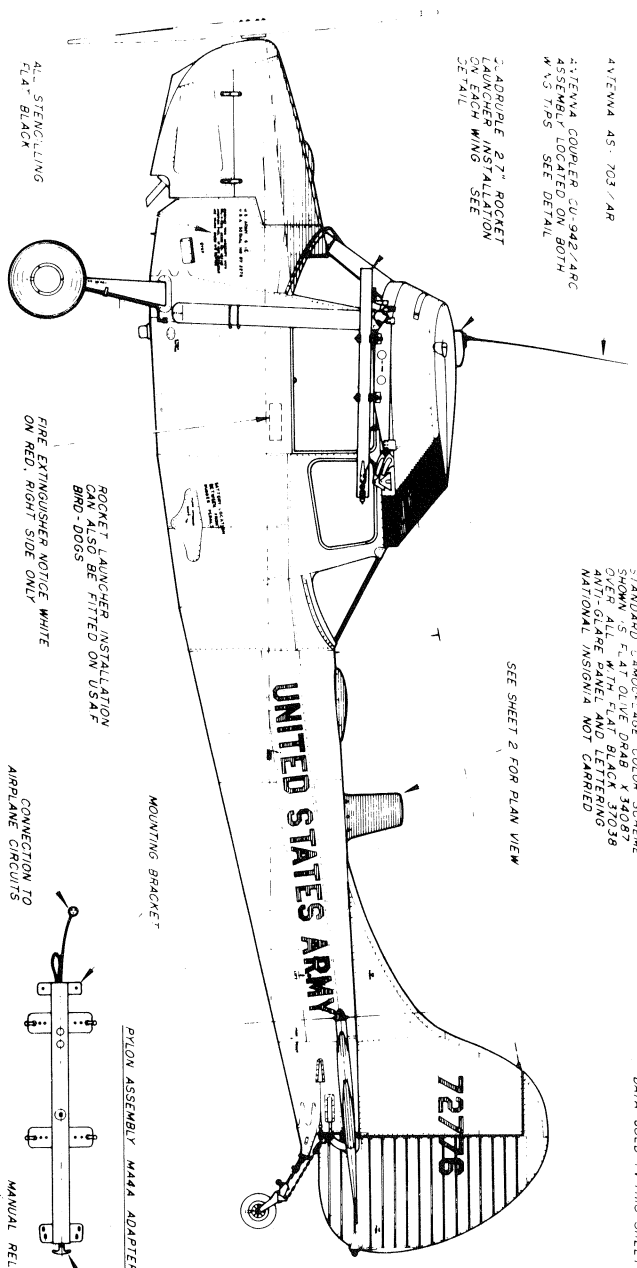


observation and spotter plane. Plans 1" to the 1' (28" x 40') available at \$1.25 per plate.



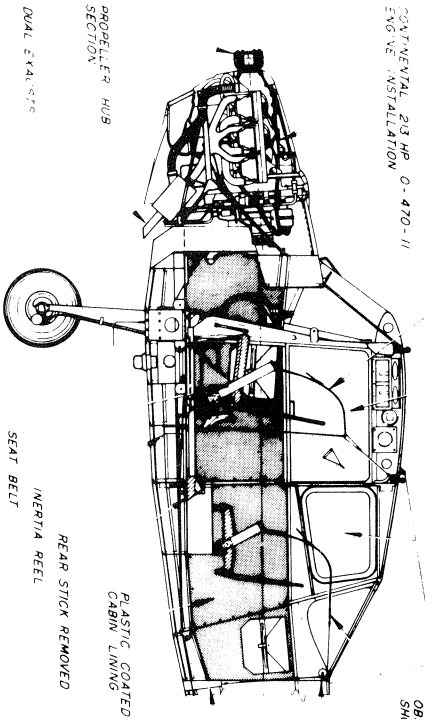
MODEL AIRPLANE NEWS
CESSNA O-1E BIRD DOG
DRAWN BY LG HALLS
AUG 1969
SCALE 1/4 IN = 1 FT
SHEET 2 OF 4

Cessna O-IE Bird Dog by Langdon G. Halls.



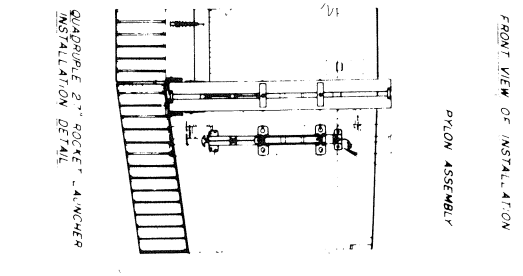
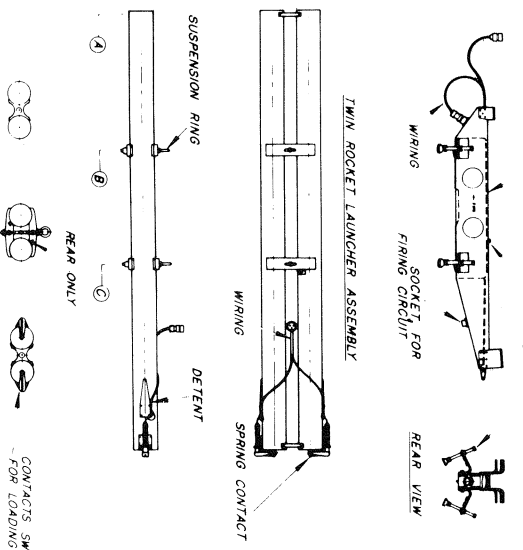
SIDE ELEVATION SHOWS 2" ARMY O-IE
ROCKET LAUNCHER INSTALLATION
STANDARD 5-ANGLE AGE COLOR SCHEME
SHOWN IN FLAT OLIVE DRAB X 34087
OVER ALLE WITH FLAT BLACK 37038
WING ALSE AND LEAK 37038
WING ALSE NOT CARRIED

*TRANS TO BOB COGG, JR AND CESSNA
AIRCRAFT COMPANY FOR ADDITIONAL
DATA USED IN THIS SHEET



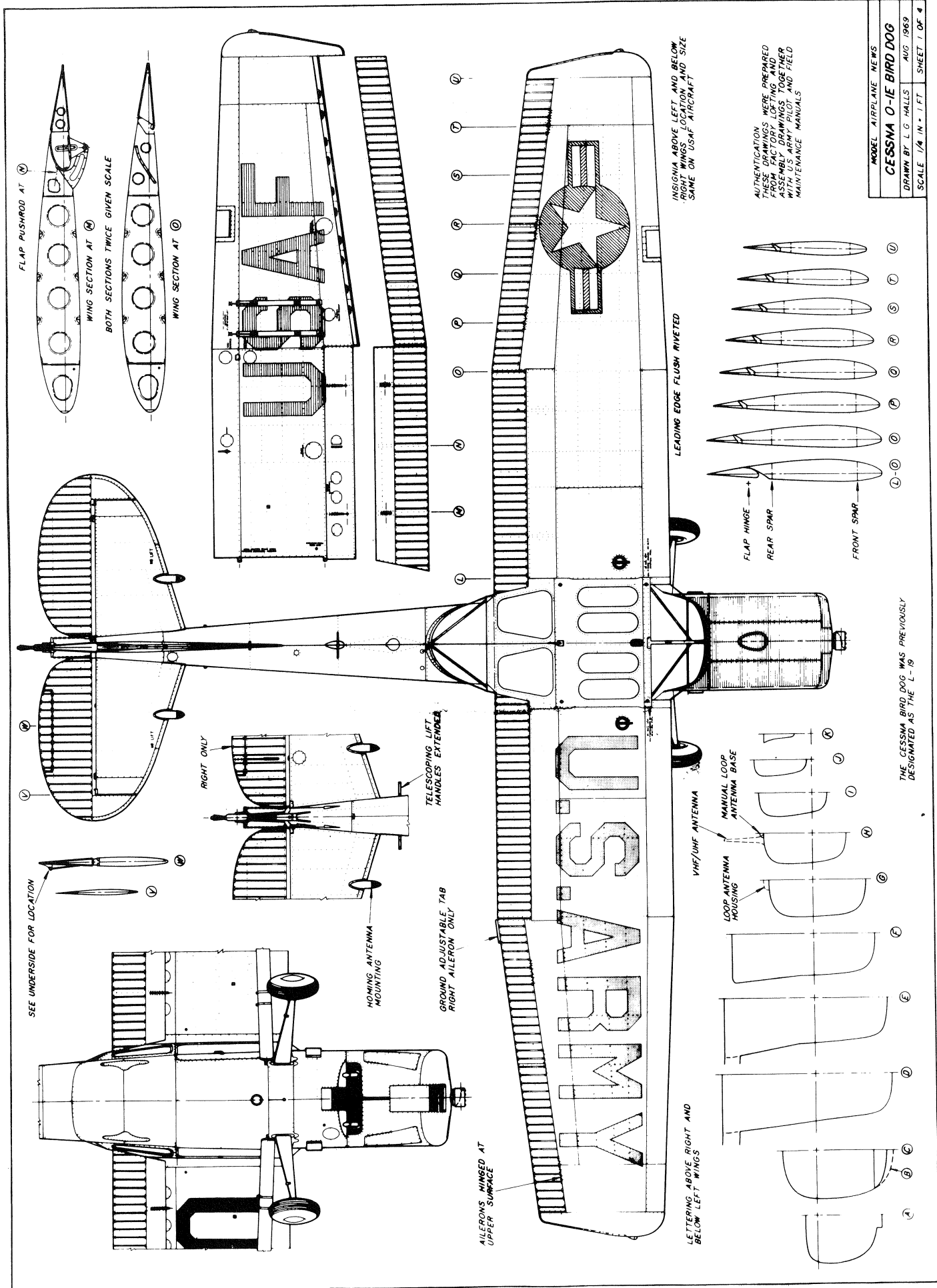
SEE SHEET 4 FOR FULL DETAILS OF CABIN EQUIPMENT
AS DELIVERED FROM FACTORY. CHANGES MAY BE
MADE DURING SERVICE LIFE OF AIRPLANE.

NOTE: PYLON ASSEMBLY
ON SHEET 2 ARE OF A
DIFFERENT TYPE TO THOSE
ON THIS SHEET



MODEL AIRPLANE NEWS	CESSNA O-IE BIRD DOG
DRAWN BY LG HALLS	AUG 1969
SCALE 1/4 IN = 1 FT	SHEET 3 OF 4

Cessna O-IE Bird Dog by Langdon G. Halls. First three plates of four for WW-II



MODEL AIRPLANE NEWS
CESSNA O-IE BIRD DOG
DRAWN BY L. G. HALLS
AUG 1969
SCALE 1/4" IN. = 1 FT. SHEET 1 OF 4

THE CESSNA BIRD DOG WAS PREVIOUSLY DESIGNATED AS THE L-19