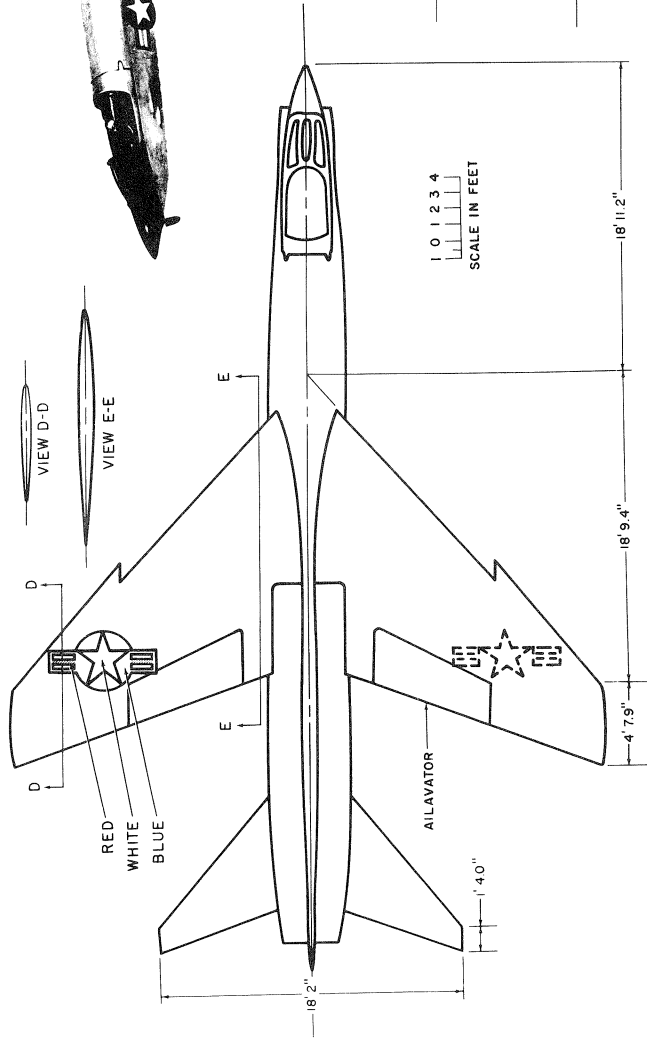


# Crusader

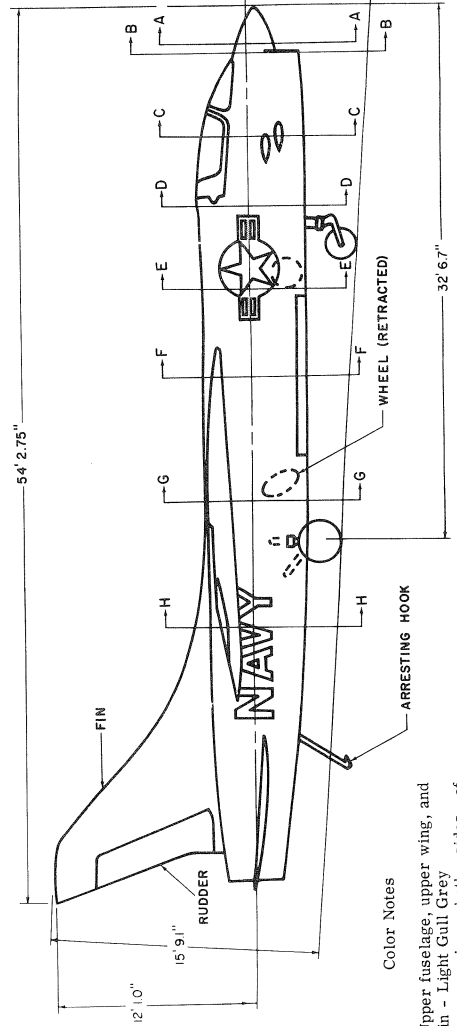
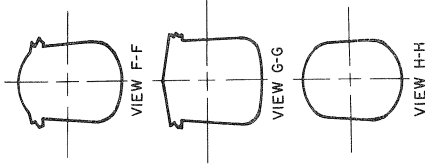
## CHANCE VOUGHT

## F8U-1



U. S. NAVY  
**F8U-1 "CRUSADER"**  
 BUILT BY  
**CHANCE VOUGHT AIRCRAFT**  
 INCORPORATED  
 DALLAS, TEXAS

The F8U-1 Crusader, the world's fastest Navy fighter plane, flew through the speed of sound on its first flight in March, 1955. It is powered by a Pratt & Whitney afterburner-equipped J-57 engine delivering 10,000 pounds of thrust. The Crusader, despite its high top speed, has excellent low speed handling characteristics. The Crusader has been described by the Navy as "operating in an entirely new speed range well beyond the supersonic."



**Color Notes**

1. Upper fuselage, upper wing, and fin - Light Gull Grey
2. Lower wing, both sides of ailerons, flaps, and horizontal tail - Insignia White
3. Fuselage Belly (see diagram) - Insignia White

