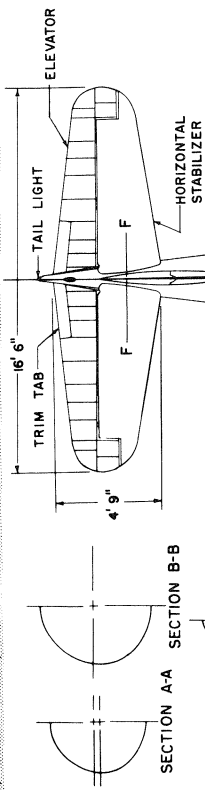


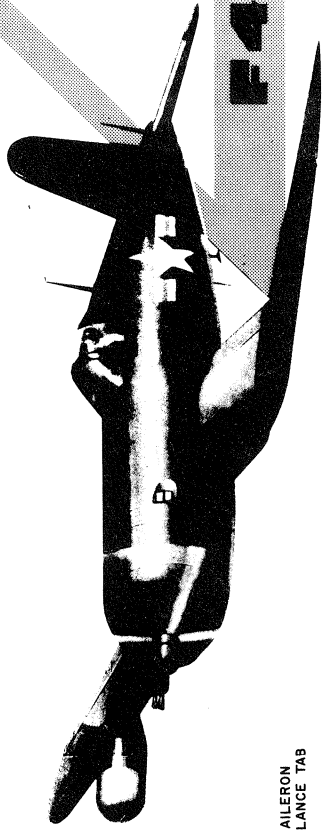
CORSAIR

CHANGE VOUGHT



COLOR NOTES

1. Glossy sea blue unless otherwise noted on face of drawing.
2. All letters and numerals are glossy white.



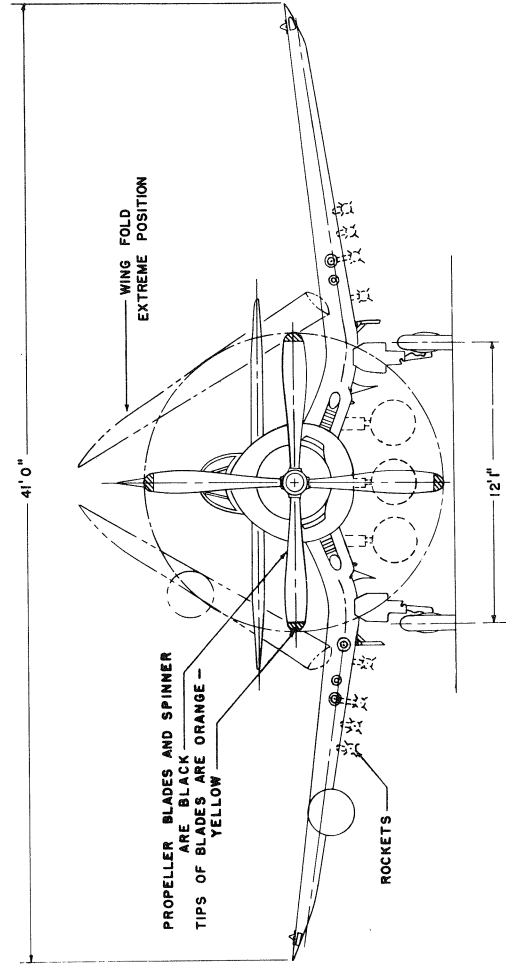
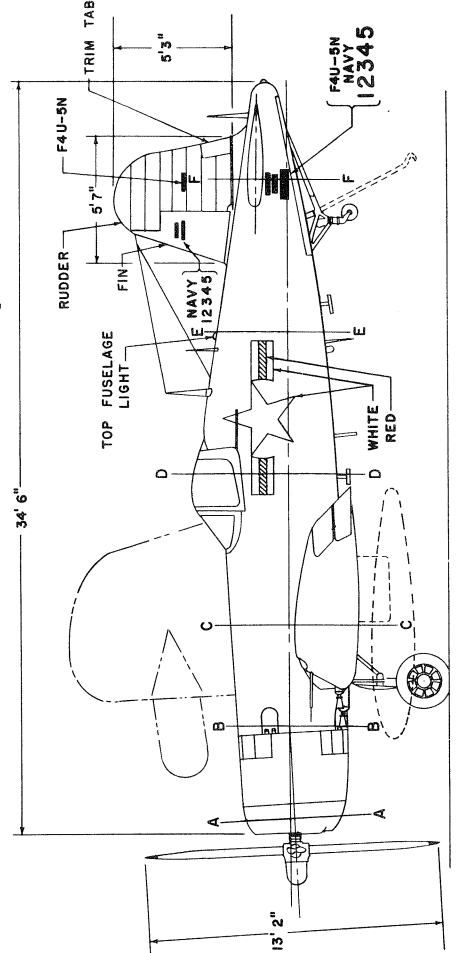
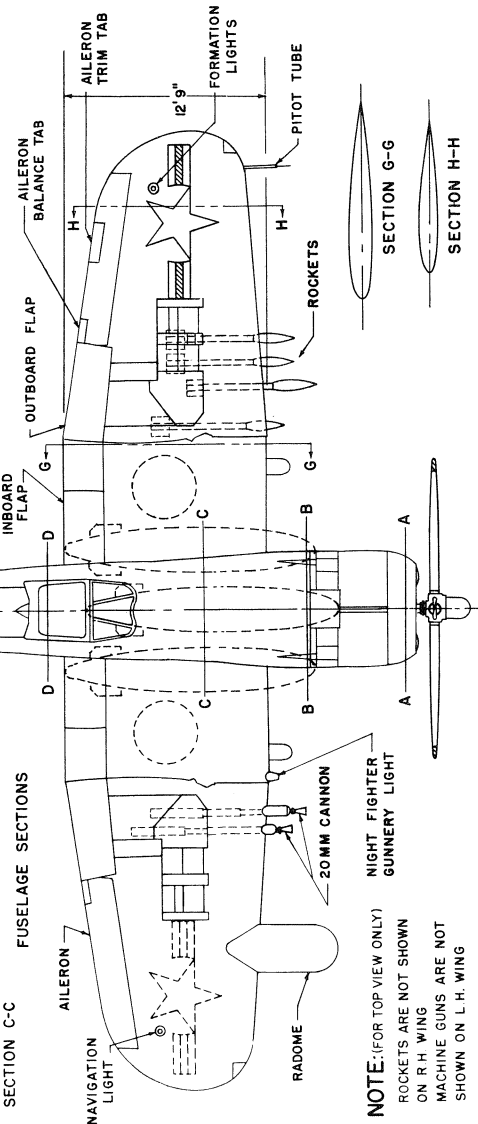
U.S. NAVY
F4U-5N "CORSAIR"

BUILT BY
CHANGE VOUGHT AIRCRAFT
DIVISION OF UNITED AIRCRAFT CORPORATION
DALLAS, TEXAS



Wing Span 41'
Length 34' 6"
Height 13'
Power Plant Pratt & Whitney "Double Wasp" R-2800-32W

The F4U-5N Corsair was built for the U. S. Navy by Chance Vought Aircraft as a nightfighter-bomber. The airplane, which saw service in the fighting in Korea, was a modification of the F4U-5 Corsair, an advanced version of the famous World War II F4U-1 and F4U-4 Corsairs.



NOTE: (FOR TOP VIEW ONLY)
ROCKETS ARE NOT SHOWN ON R.H. WING
MACHINE GUNS ARE NOT SHOWN ON L.H. WING