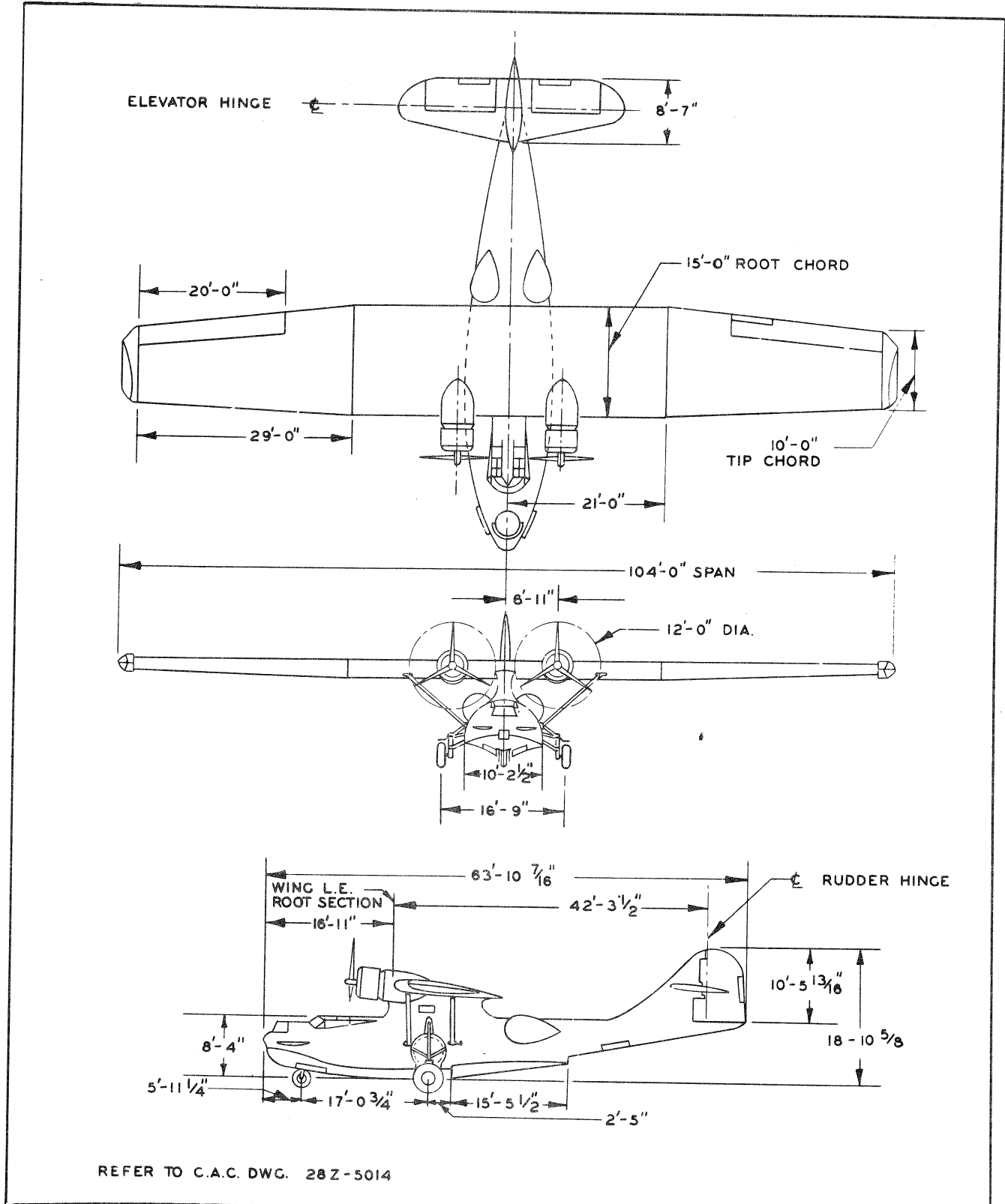


AN O1-5MD-2



REFER TO C.A.C. DWG. 28Z-5014

CONSOLIDATED  
Figure 2—Three-View Drawing of OA-10A Airplane