

**GENERAL SPECIFICATIONS**

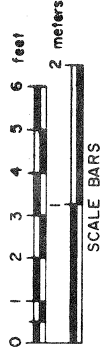
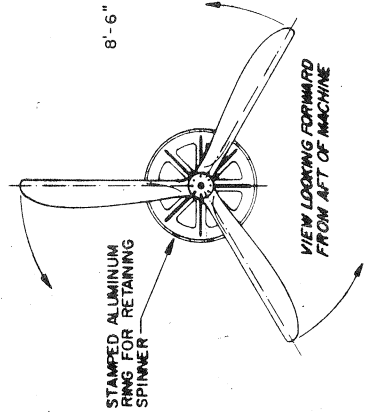
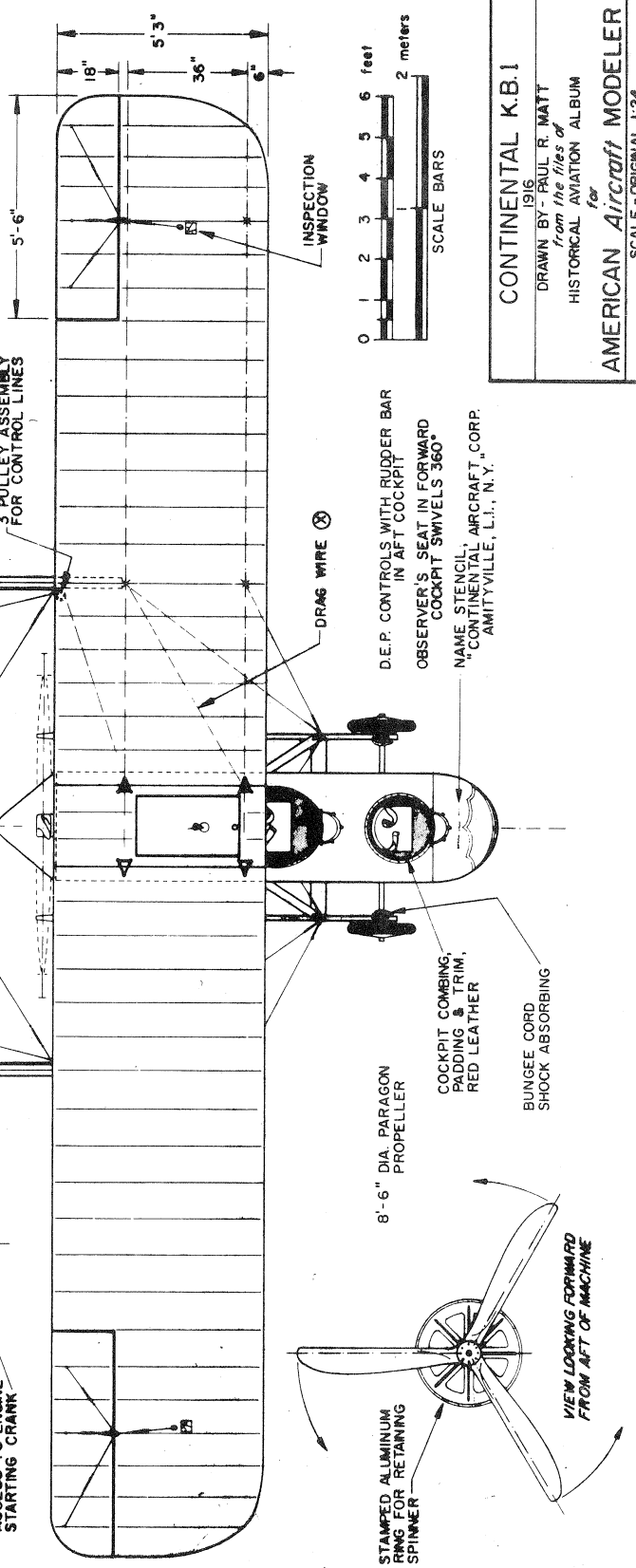
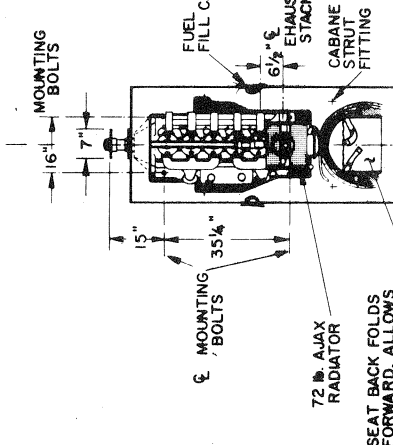
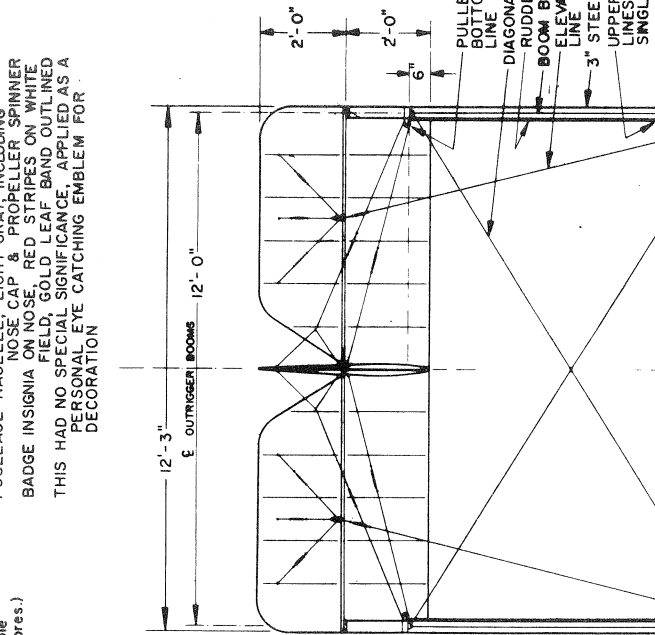
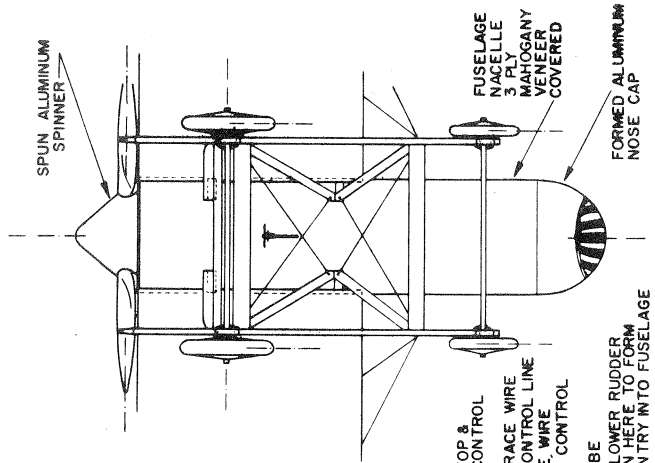
WEIGHT EMPTY 1500 lbs.  
 USEFUL LOAD 1100 lbs. (incl. fuel, oil, water and approx. 300 lbs. of allowable military equipment and stores.)

GROSS WEIGHT 2600 lbs.  
 TOP SPEED 95 m.p.h.  
 CRUISING SPEED 72 m.p.h.  
 ENDURANCE AT CRUISE 4 hours  
 LANDING SPEED 52/55 m.p.h.  
 FUEL CAPACITY 45 gals.  
 OIL CAPACITY 4 gals.  
 WATER CAPACITY 8 gals.

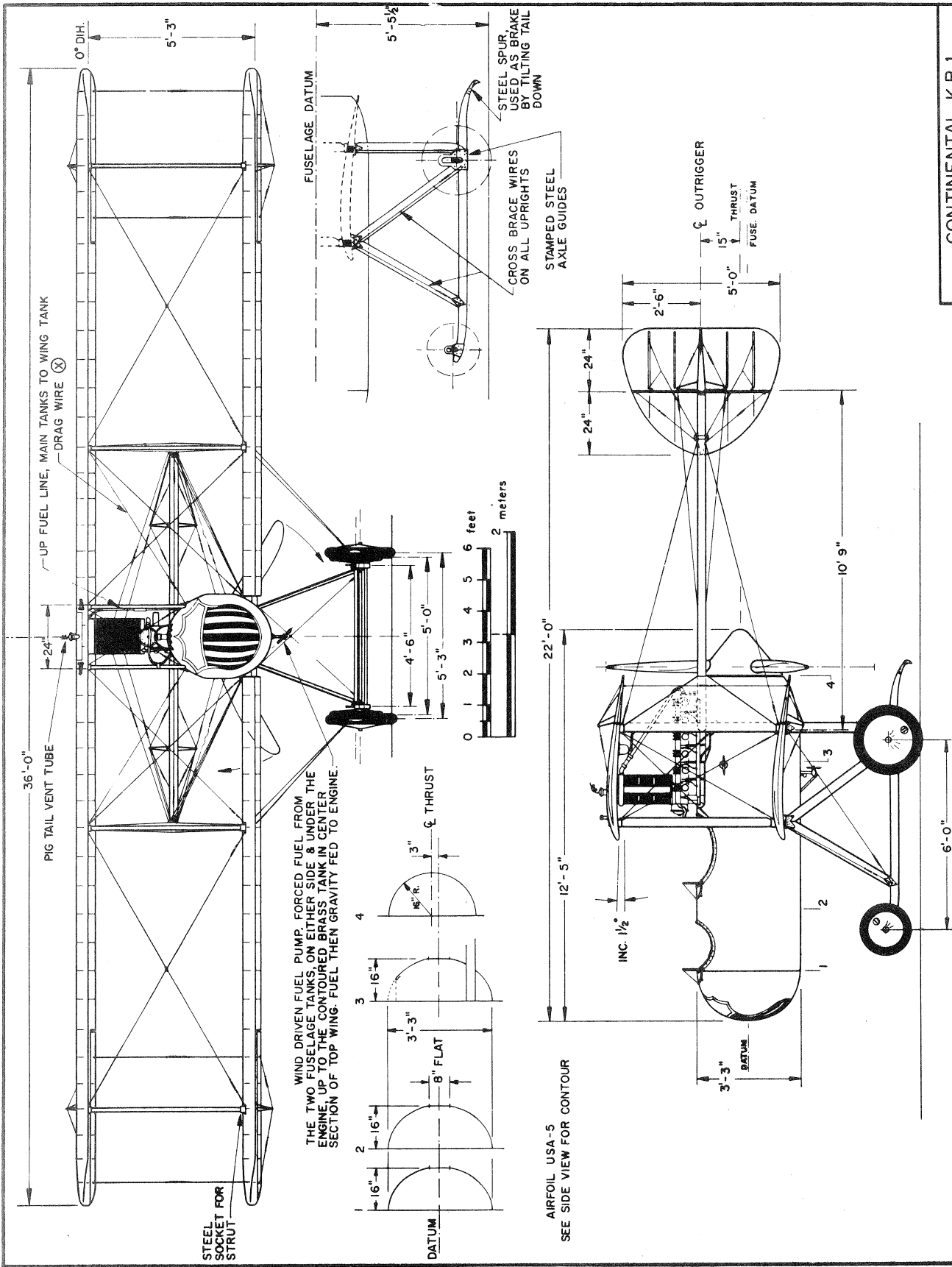
POWER: HALL-SCOTT A.5a, 6 CYLINDER, WATER COOLED, INLINE, 135 h.p. at 1300 r.p.m.

**COLORING NOTES**

WINGS & TAIL SURFACES, FABRIC COVERED, CLEAR, DOPED  
 FUSELAGE NACELLE, LIGHT GRAY, INCLUDING NOSE CAP & PROPELLER SPINNER  
 BADGE INSIGNIA ON NOSE, RED STRIPES ON WHITE FIELD, GOLD LEAF BAND OUTLINED  
 THIS HAD NO SPECIAL SIGNIFICANCE, APPLIED AS A PERSONAL EYE CATCHING EMBLEM FOR DECORATION



**CONTINENTAL K.B.1**  
 1916  
 DRAWN BY - FRUL R. MATT  
*from the files of*  
 HISTORICAL AVIATION ALBUM  
*for*  
**AMERICAN Aircraft MODELER**  
 SCALE - ORIGINAL 1:24



**CONTINENTAL K.B.1**  
 1916  
 DRAWN BY - PAUL R. MATT  
*from the files of*  
 HISTORICAL AVIATION ALBUM  
 for  
**AMERICAN Aircraft MODELER**  
 SCALE - ORIGINAL 1:24