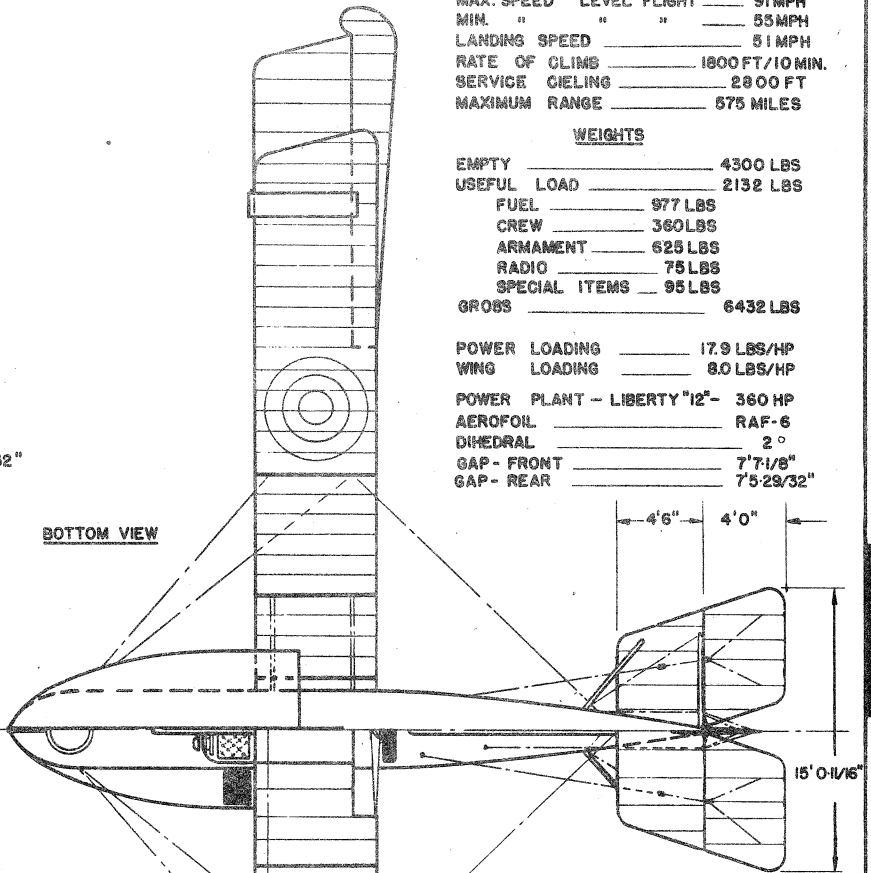


74' 0-19/32"

13' 5-9/16"

8'0"



BOTTOM VIEW

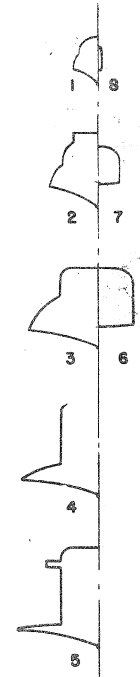
4'6" 4'0"

15' 0-1/16"

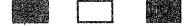
TOP VIEW

6' 3-5/32"

RED  
BLUE  
WHITE



RED WHITE BLUE

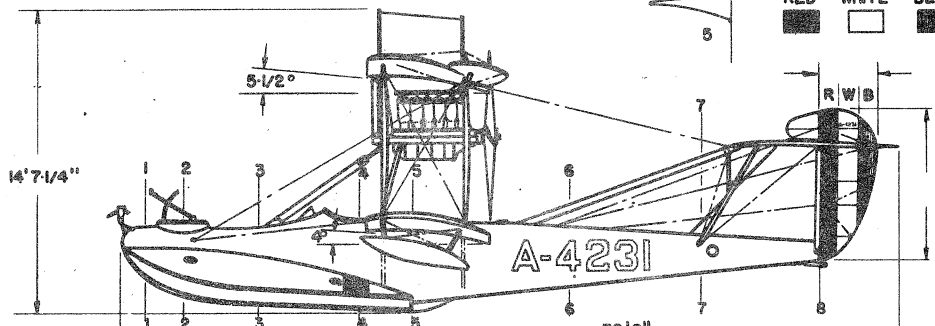


**COLOR SCHEME**  
 ALL NAVY GREY EXCEPT:  
 STANDARD NAVY INSIGNIA  
 FUSELAGE SERIAL NO. — WHITE  
 RUDDER " " — BLACK  
 WING STRUTS — NATURAL WOOD  
 CABLES — BLUE-BLACK  
 PROPELLER — NATURAL WOOD, COPPER TIP

**CURTISS  
 HS-2L**

DRAWN BY: JIM MORROW

SCALE: IN FEET



14' 7-1/4"

5-1/2°

A-4231

RWB

39' 0"

**PERFORMANCE**

MAX. SPEED	LEVEL FLIGHT	91MPH
MIN. " "	" "	55MPH
LANDING SPEED	" "	51MPH
RATE OF CLIMB	" "	1800 FT/10 MIN.
SERVICE CEILING	" "	2800 FT
MAXIMUM RANGE	" "	575 MILES

**WEIGHTS**

EMPTY	4300 LBS
USEFUL LOAD	2132 LBS
FUEL	977 LBS
CREW	360 LBS
ARMAMENT	625 LBS
RADIO	75 LBS
SPECIAL ITEMS	95 LBS
GROSS	6432 LBS

POWER LOADING	17.9 LBS/HP
WING LOADING	8.0 LBS/HP

POWER PLANT - LIBERTY "12"	360 HP
AEROFOIL	RAF-6
DIHEDRAL	2°
GAP - FRONT	7' 7-1/8"
GAP - REAR	7' 5-29/32"