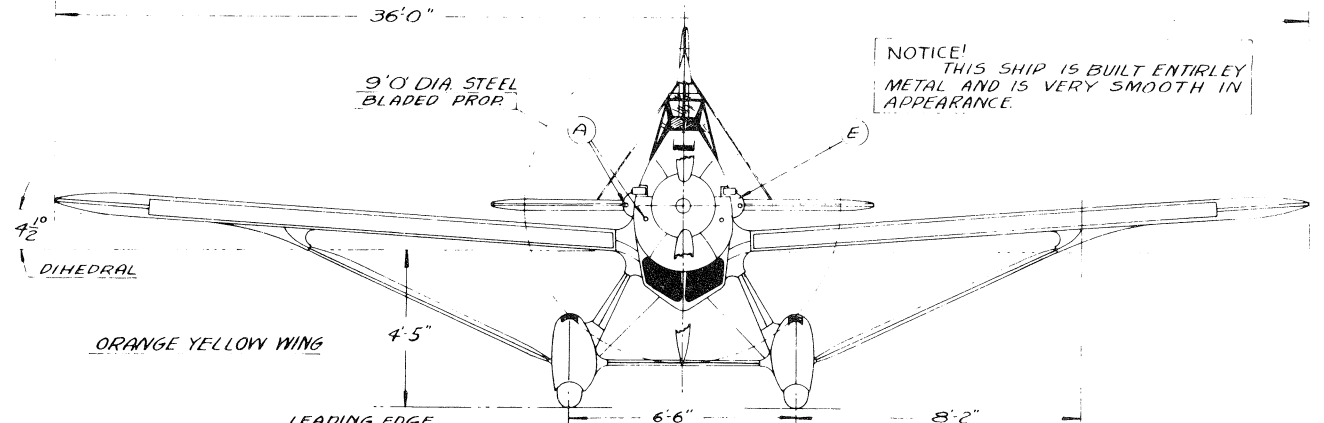
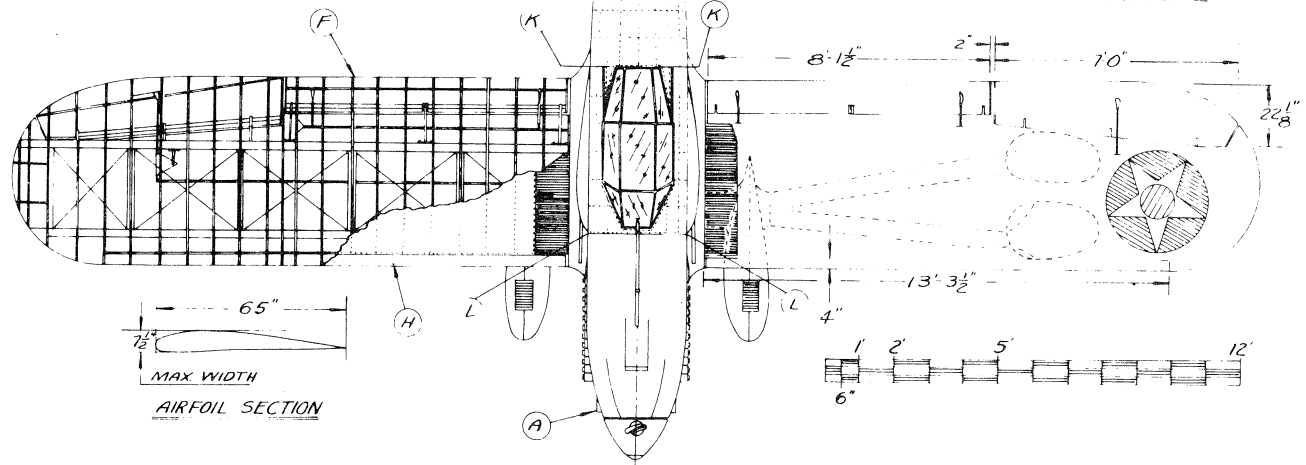
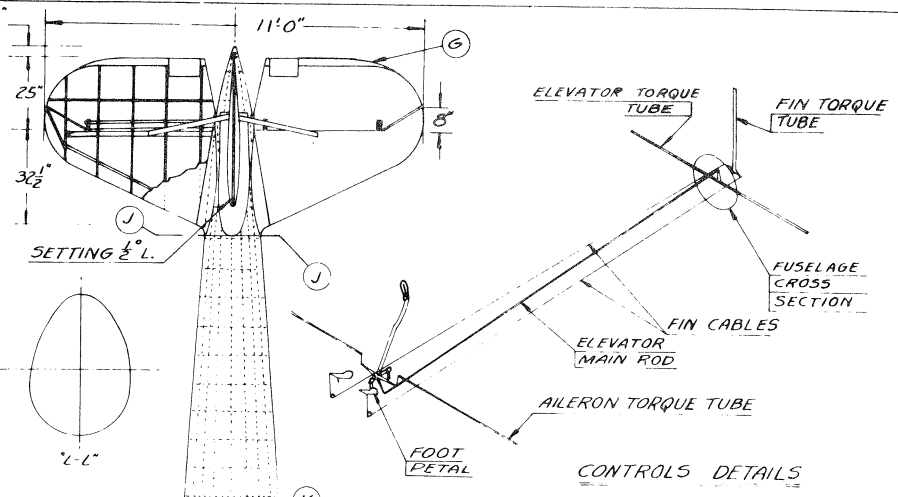
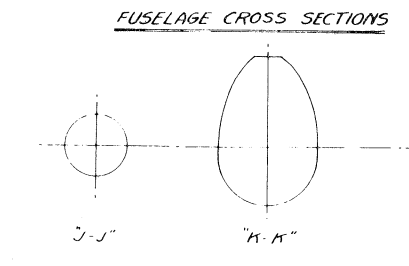
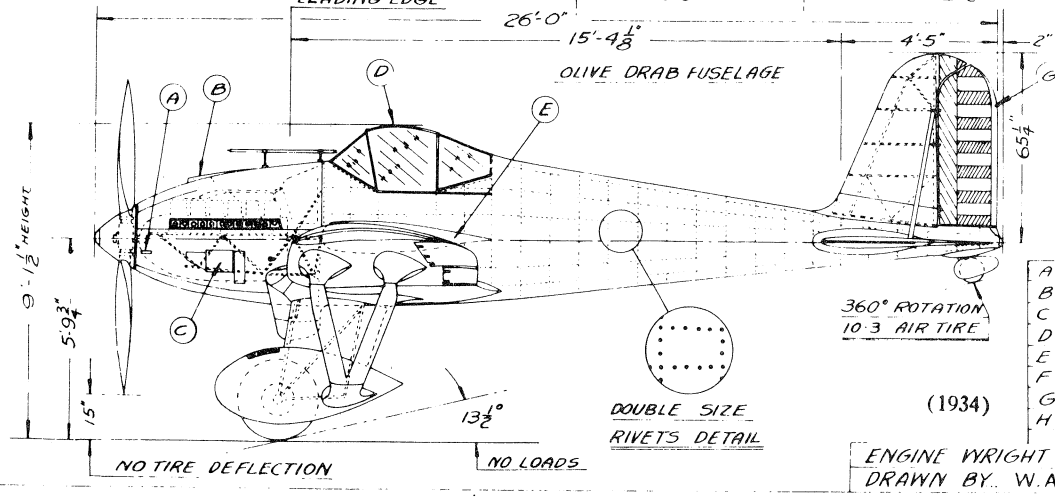


VARIOUS SCALES		
WING SPAN	SCALES	ENLARGED
6 $\frac{3}{4}$ "	$\frac{3}{16}$	0
13 $\frac{1}{2}$ "	$\frac{3}{8}$	1
20 $\frac{1}{4}$ "	$\frac{9}{16}$	2
27"	$\frac{3}{4}$	3

USE U.S. ARMY COLOR SCHEME



NOTICE!
THIS SHIP IS BUILT ENTIRELY METAL AND IS VERY SMOOTH IN APPEARANCE.



- A MACHINE GUNS' SNOOT'S
- B CARBURATOR AIR SCOOP
- C AIR COOLER - MACHINE GUN
- D SLIDING HATCH
- E MACHINE GUN HOUSING
- F AIR BRAKES
- G ADDITIONAL SURFACE
- H WING SLOTS

ENGINE WRIGHT "CONQUER"
DRAWN BY W.A. WYLAM

SWIFT
P-31