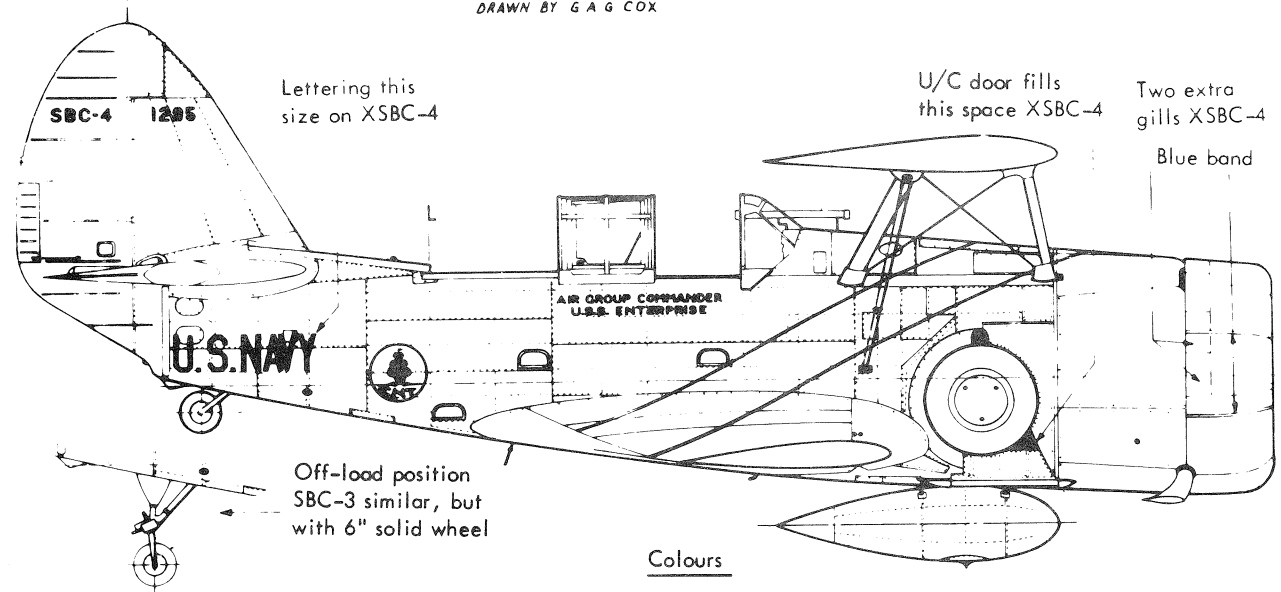


DRAWN BY G A G COX

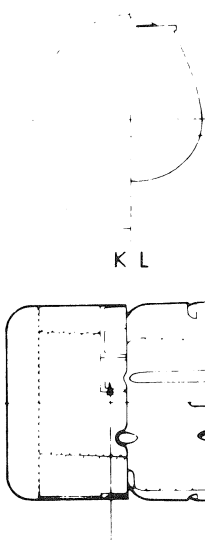


Colours

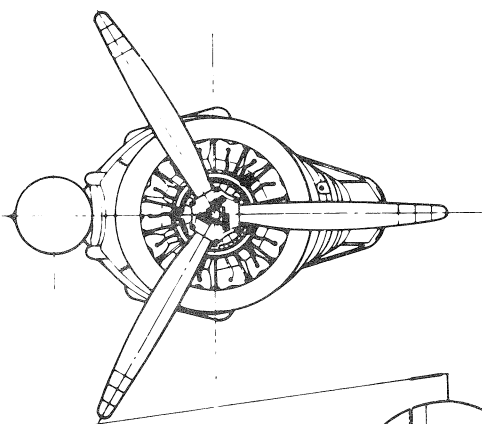
XSBC-4. Serial 0582. From Station 'B' aft, same as SBC-3. From 'B' forward, as SBC-4, except where indicated. Colour: All polished metal and silver dope. All lettering black.

SBC-4. Basic fuselage and wing colours as SBC-3. Tail including fillets, blue (USS Enterprise) cowl & fuselage bands, blue with white outline. Lettering black, except white on tail. Carrier emblem: Probably white disc with blue ship and surrounding circle.

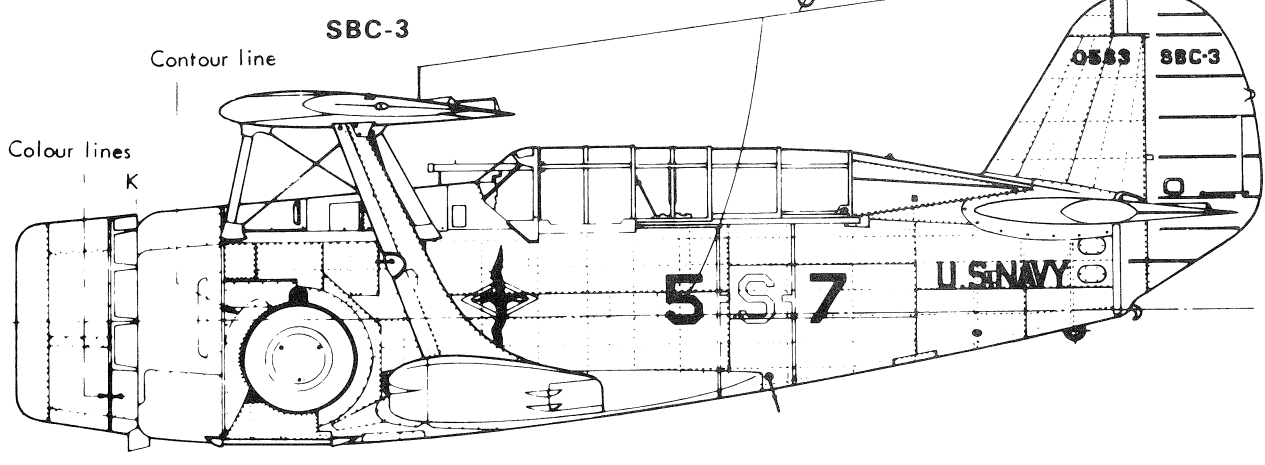
SBC-3. Tail surfaces, excluding fillets: red. Top surface of upper wing: chrome yellow. All other metal surfaces: light grey. Lower wings: silver. Engine cowl, wing chevron and fuselage band: blue with white border. VS5 badge: Black Man O' War Bird with red throat; red border to white diamond. White 'S'. Hyphens and tail lettering.

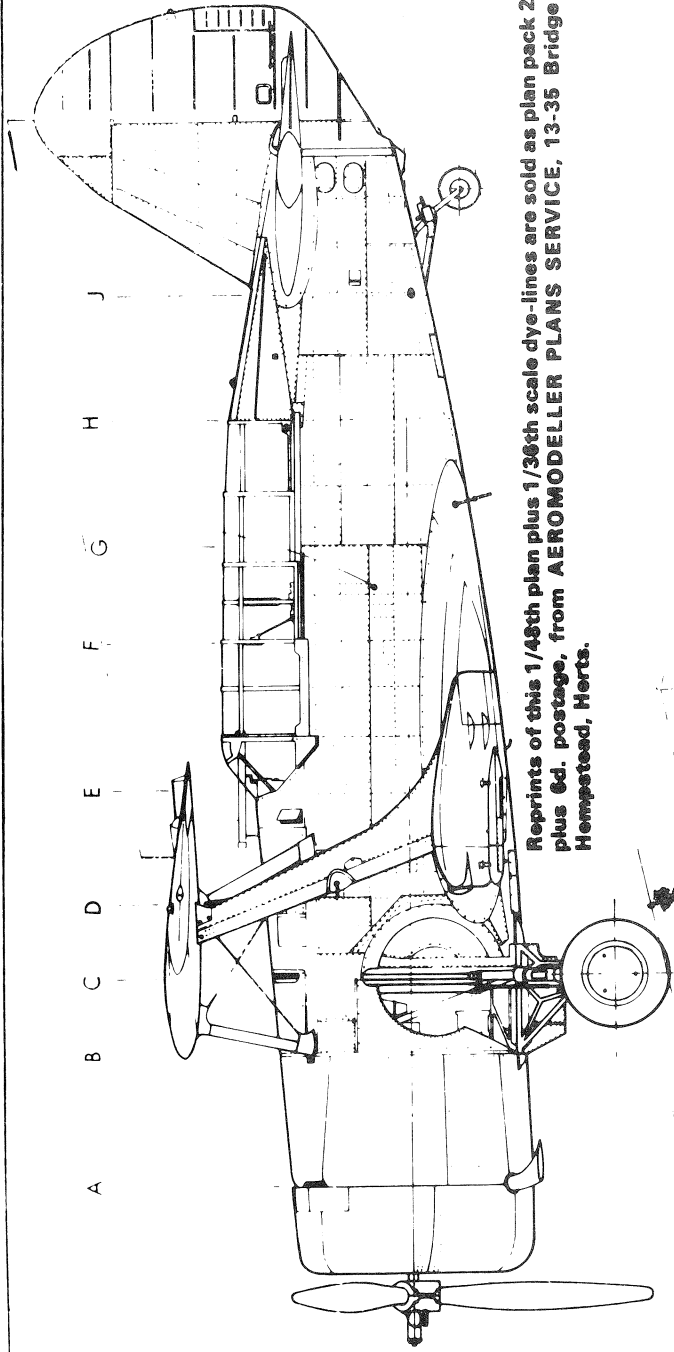


825 H.P. Pratt and Whitney "Twin Wasp" R-1535-94

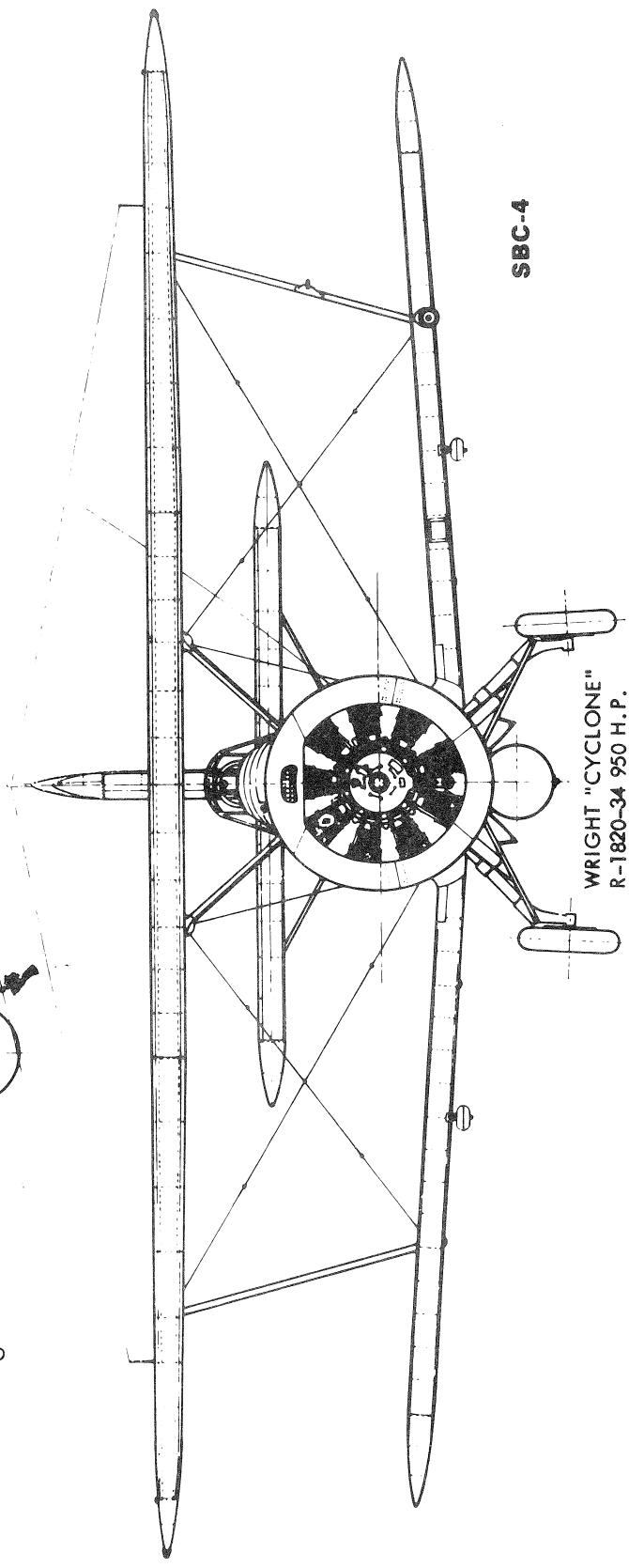


Extra gill left side





Reprints of this 1/48th plan plus 1/36th scale dye-lines are sold as plan pack 2671, price 2/6d. plus 6d. postage, from AEROMODELLER PLANS SERVICE, 13-35 Bridge Street, Hemel Hempstead, Herts.



SBC-4

WRIGHT "CYCLONE"
R-1820-34 950 H.P.

