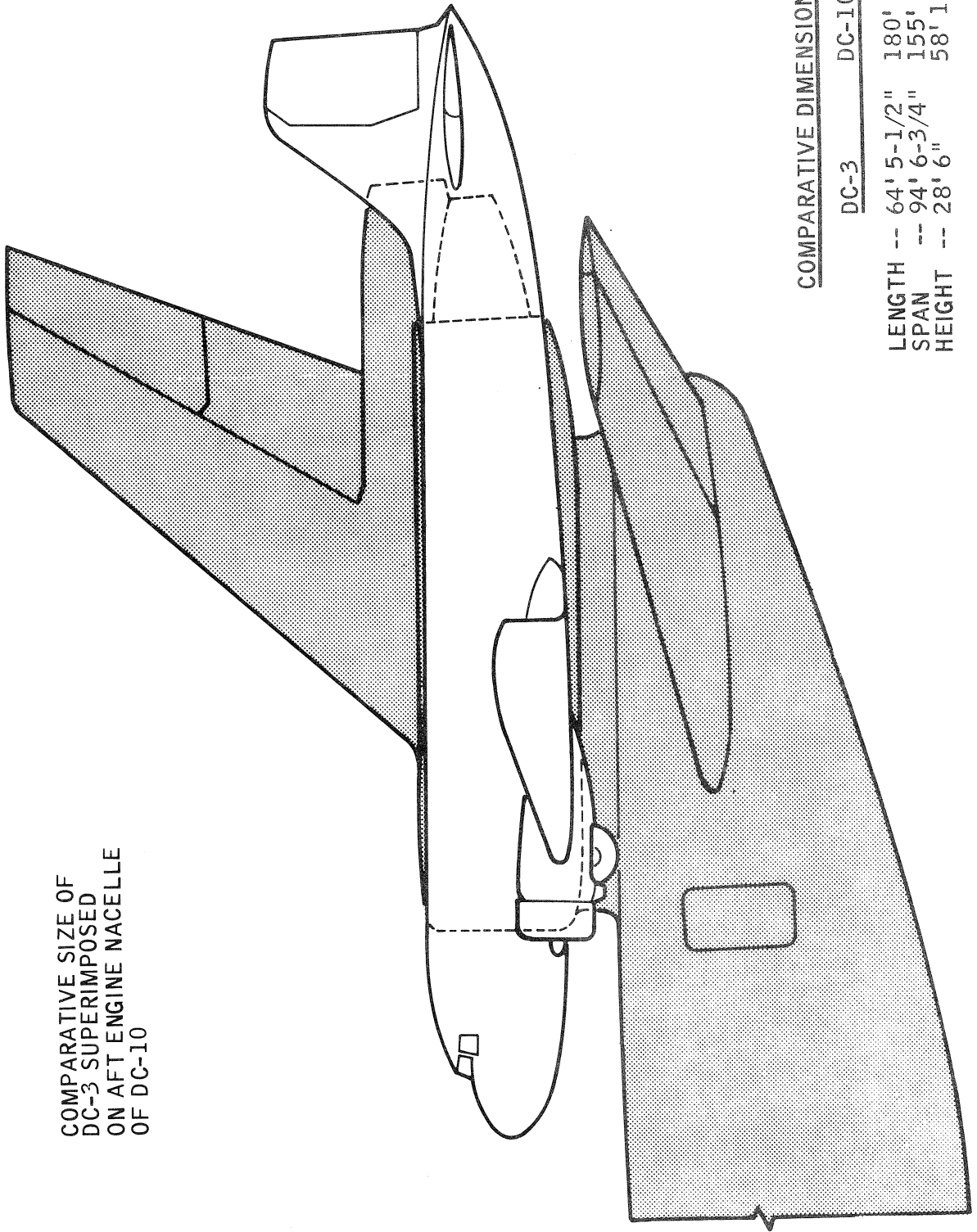


COMPARATIVE SIZE OF
DC-3 SUPERIMPOSED
ON AFT ENGINE NACELLE
OF DC-10



COMPARATIVE DIMENSIONS

	<u>DC-3</u>	<u>DC-10</u>
LENGTH	-- 64' 5-1/2"	180' 0"
SPAN	-- 94' 6-3/4"	155' 5"
HEIGHT	-- 28' 6"	58' 1"