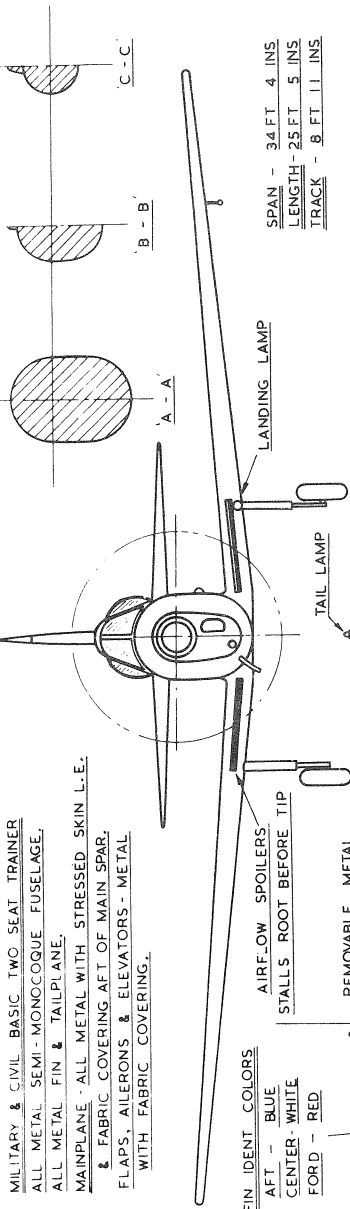


Planes Worth Modeling — CHIPMUNK

MILITARY & CIVIL BASIC TWO SEAT TRAINER
 ALL METAL SEMI-MONOCOQUE FUSELAGE,
 ALL METAL FIN & TAILPLANE,
 MAINPLANE ALL METAL WITH STRESSED SKIN L.E.
 & FABRIC COVERING AFT OF MAIN SPAR,
 FLAPS,AILERONS & ELEVATORS - METAL
 WITH FABRIC COVERING.



SPAN - 34 FT 4 INS
 LENGTH - 25 FT 5 INS
 TRACK - 8 FT 11 INS

ENGINE
 ONE GYPSY MAJOR 10 MK II CIVIL VERSION
 OR
 ONE GYPSY MAJOR 8 RAF VERSION

2 BLADE METAL FIXED PITCH AIRSCREW

DE HAVILLAND OF CANADA LTD.
 DH. C.1 'CHIPMUNK'
Pratt & Whitney

ROUND EL COLOURS

CENTER - RED
 INNER - WHITE
 OUTER - BLUE

COLOR - ALL SILVER

