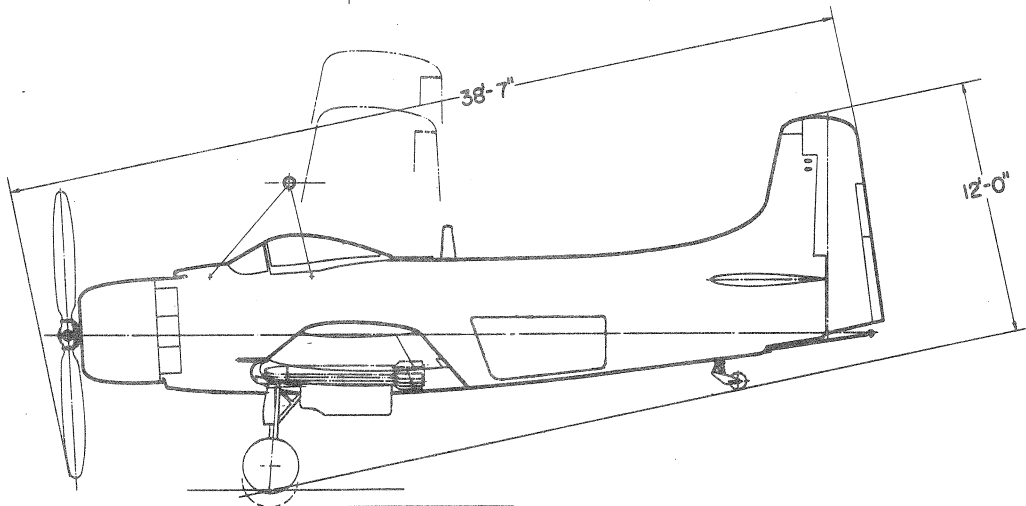
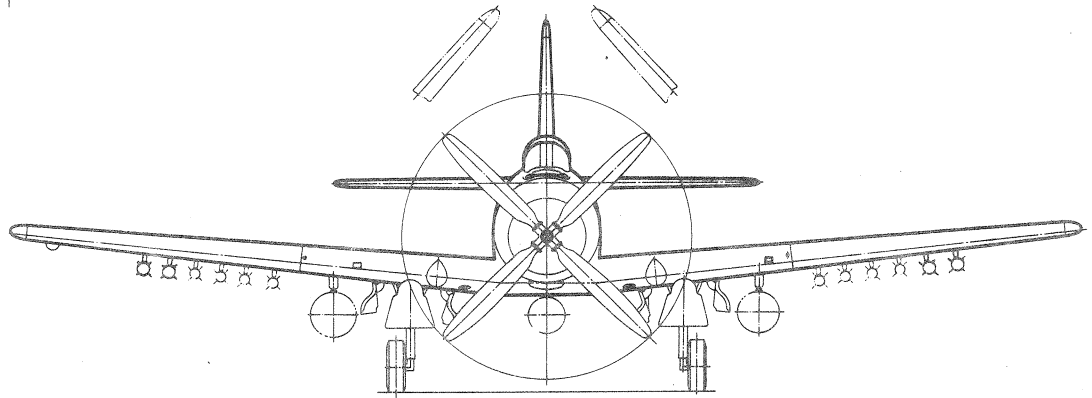
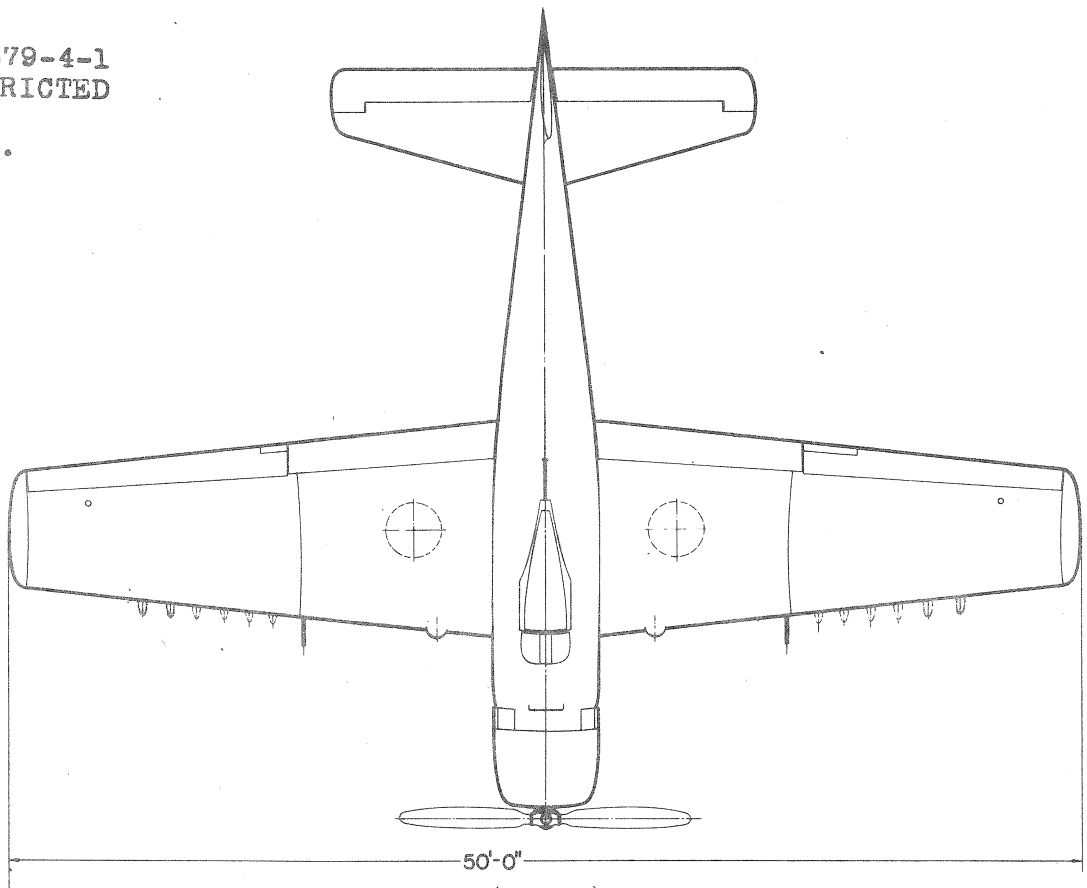


SD-379-4-1  
RESTRICTED

117a.



DOUGLAS MODEL AD-4 (2)