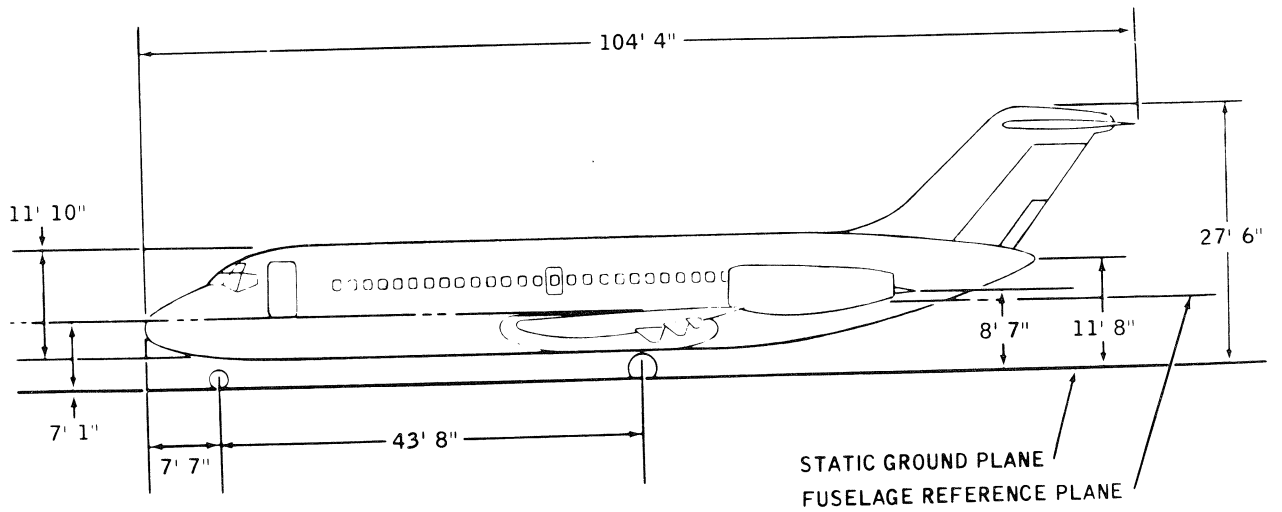
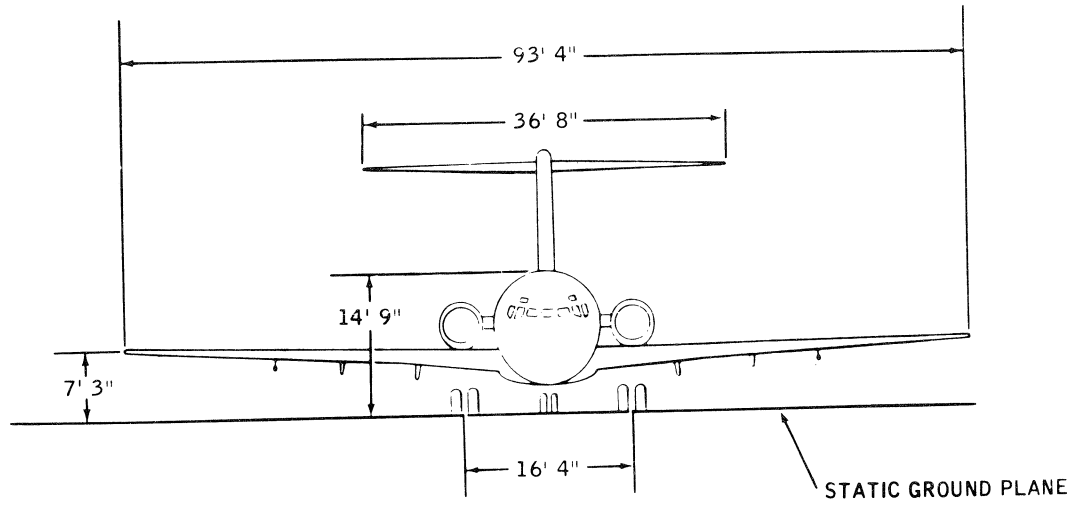


NOTE:  
DIMENSIONS GIVEN ARE  
TO THE NEAREST INCH

DC-9 SERIES 10

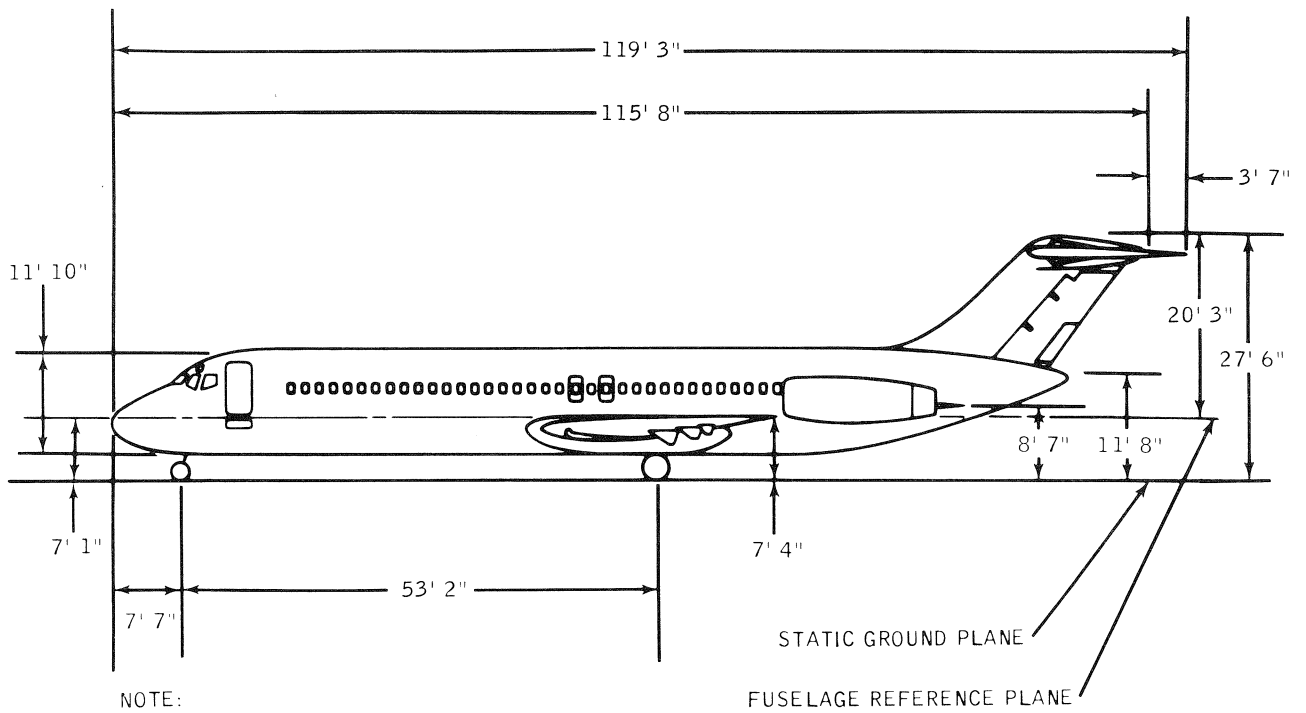
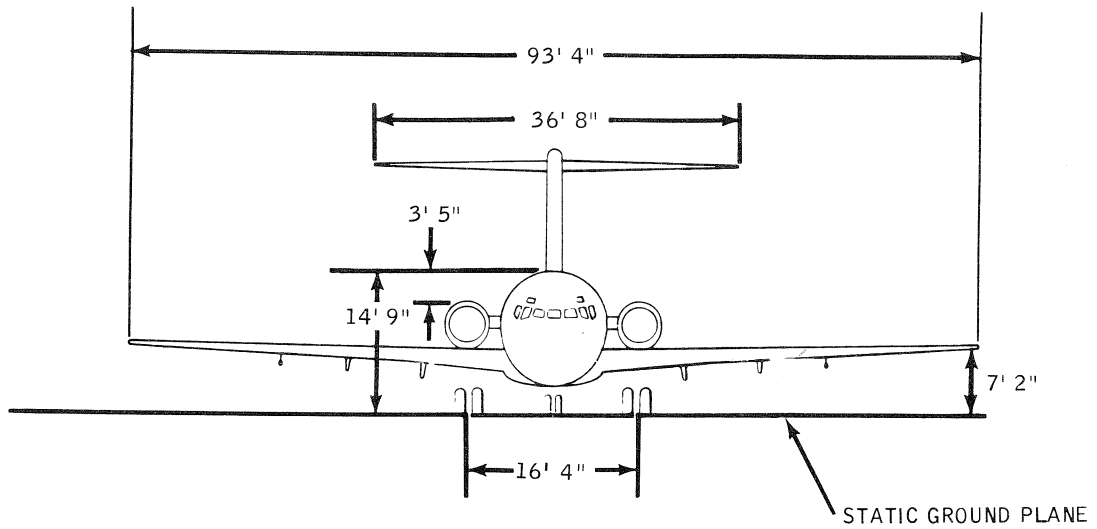
BB1-188R



NOTE:  
DIMENSIONS GIVEN ARE  
TO THE NEAREST INCH

BB1-3645

**DC-9 SERIES 20**

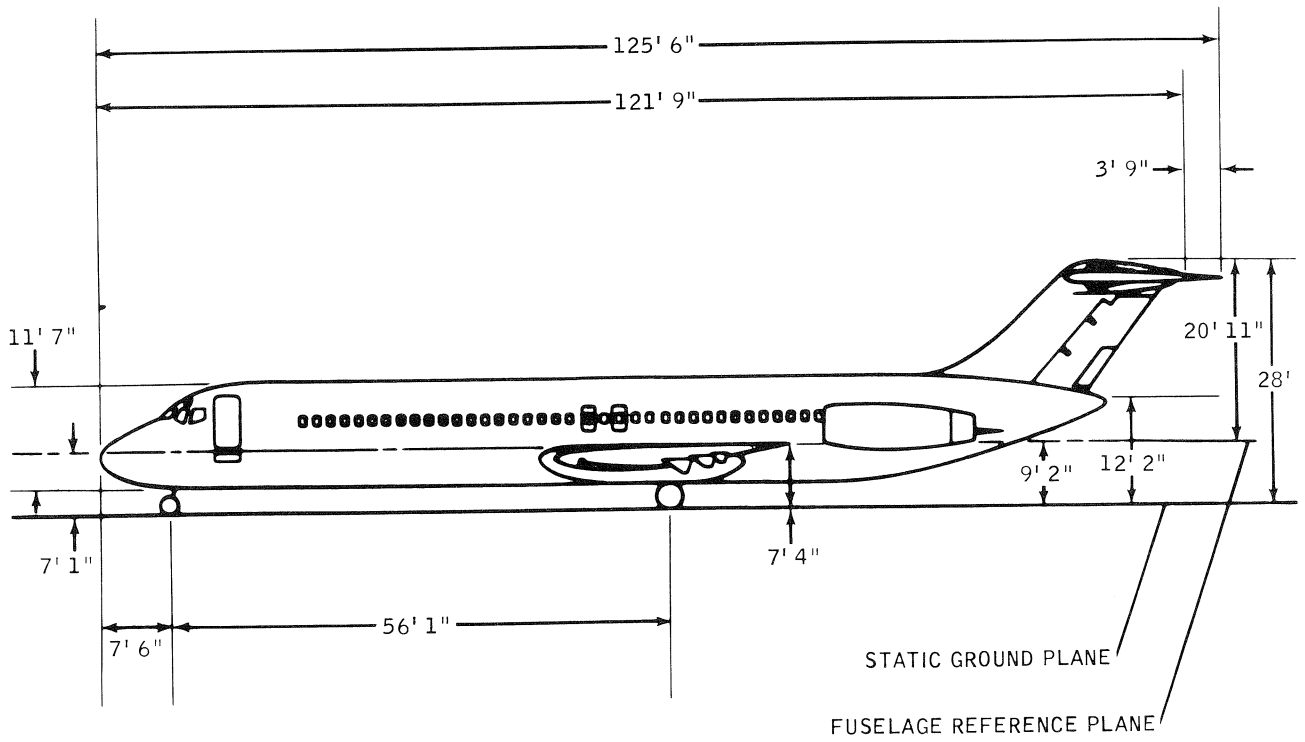
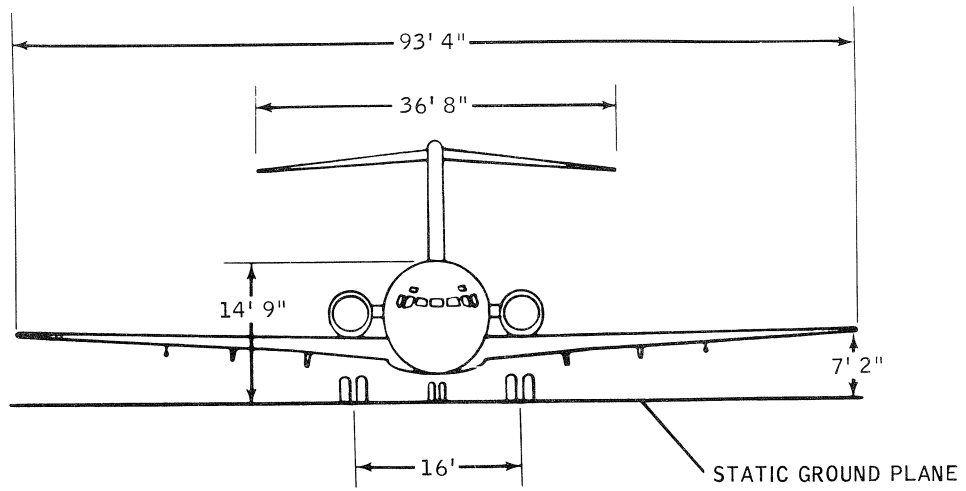


NOTE:  
DIMENSIONS GIVEN ARE  
TO THE NEAREST INCH.

STATIC GROUND PLANE  
FUSELAGE REFERENCE PLANE

BB1-1564

DC-9 SERIES 30



NOTE:  
DIMENSIONS GIVEN ARE  
TO THE NEAREST INCH.

DC-9 SERIES 40

BB1-3154