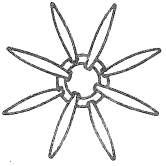
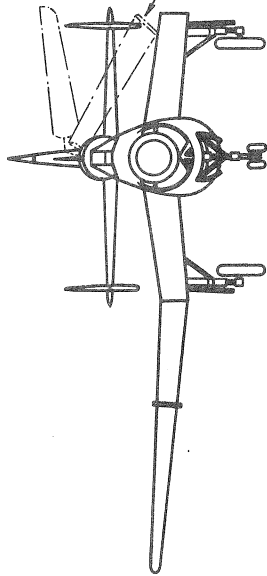
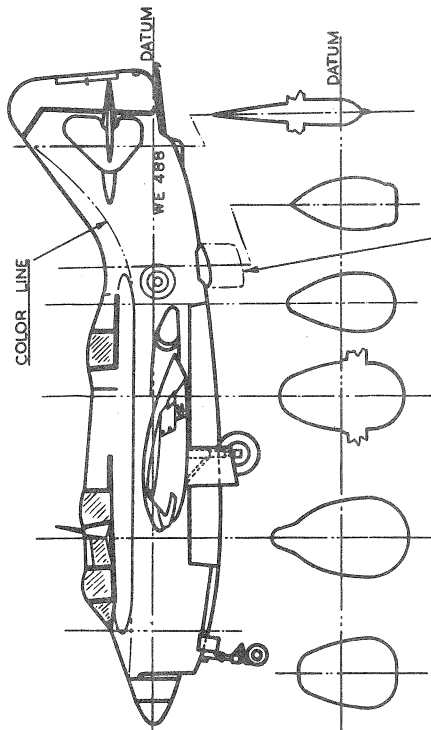


Planes Worth Modeling — THE GANNET



POWER OPERATED DOUBLE-FOLD WINGS

POWERED BY ONE "DOUBLE MAMBA"
TURBOPROP ENGINE (ARMSTRONG SIDDELEY)

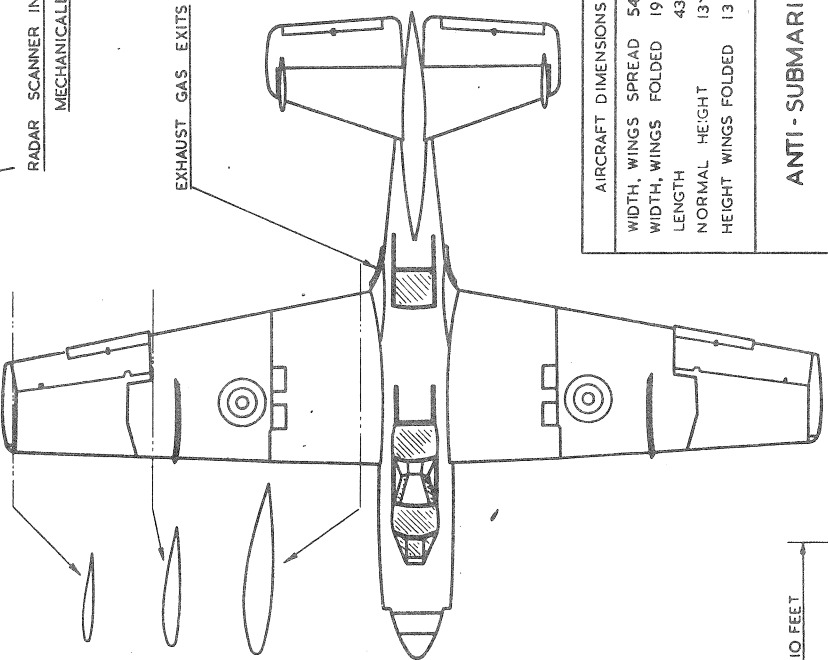
COLOR SCHEME

ABOVE COLOR LINE & UPPER SURFACES OF
WINGS & TAILPLANE • SEA GREEN
BELOW COLOR LINE & LOWER SURFACES OF
WINGS & TAILPLANE • DUCK EGG BLUE

ROUND EL COLORES

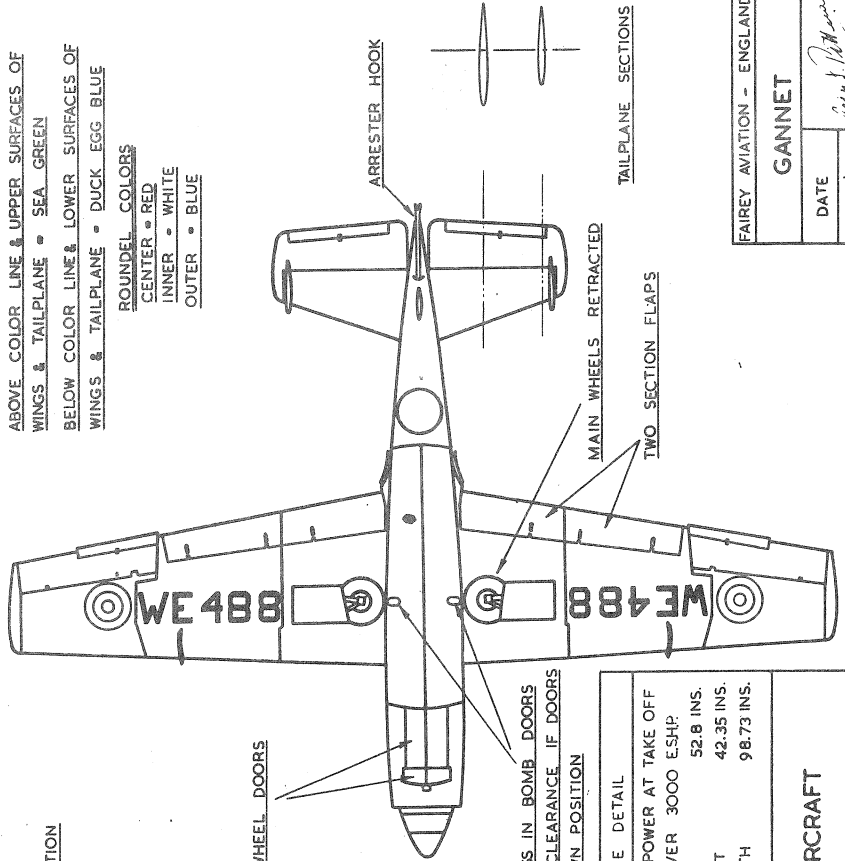
CENTER • RED
INNER • WHITE
OUTER • BLUE

RADAR SCANNER IN EXTENDED POSITION
MECHANICALLY OPERATED

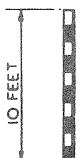


NOSE WHEEL DOORS

SLIGHT RECESS IN BOMB DOORS
FOR WHEEL CLEARANCE IF DOORS
STICK IN DOWN POSITION



AIRCRAFT DIMENSIONS	ENGINE DETAIL
WIDTH, WINGS SPREAD 54 FT. 4 IN.	FULL POWER AT TAKE OFF OVER 3000 ESHP
WIDTH, WINGS FOLDED 19 FT. 6 IN.	WIDTH 52.8 IN.
LENGTH 43 FT.	HEIGHT 42.35 IN.
NORMAL HEIGHT 13 FT. 9 1/2 IN.	LENGTH 98.73 IN.
HEIGHT WINGS FOLDED 13 FT. 9 IN.	



ANTI-SUBMARINE AIRCRAFT

FAIRY AVIATION - ENGLAND

GANNET

DATE
SEPT '52

John P. ...