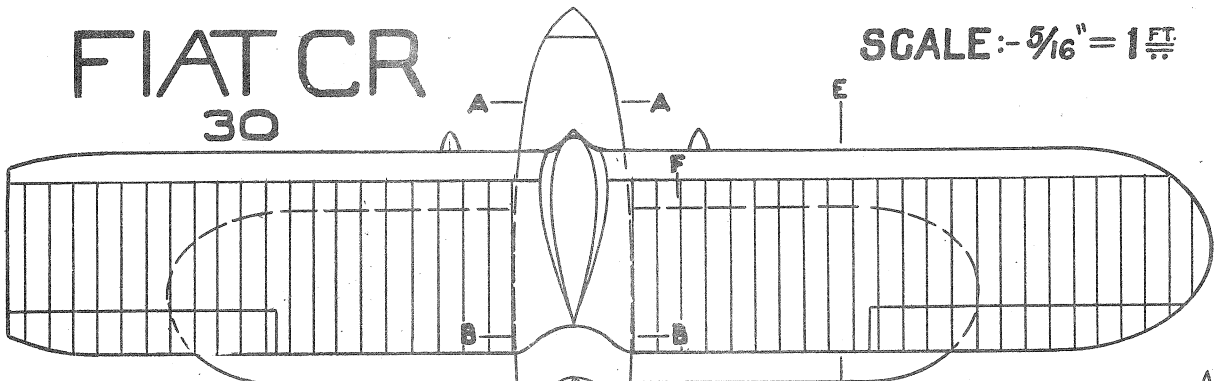


FIAT CR 30

SCALE: $-\frac{5}{16}'' = 1\frac{FT.}{\text{IN.}}$

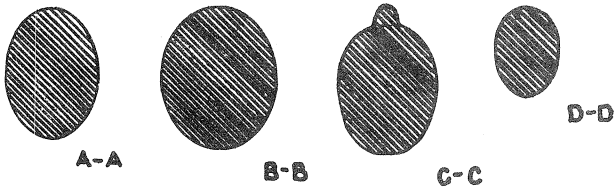


WING SPAN 34'5"
 LENGTH 22'
 HEIGHT 9'
 WING AREA 290 SQ. FT.
 WEIGHT EMPTY 2,792 LBS.
 WING LOADING 16 1/2 LBS.

POWER LOADING
 (CONSTANT UP TO
 8528 FT.)
 6 LBS. 2 1/2 OZ.

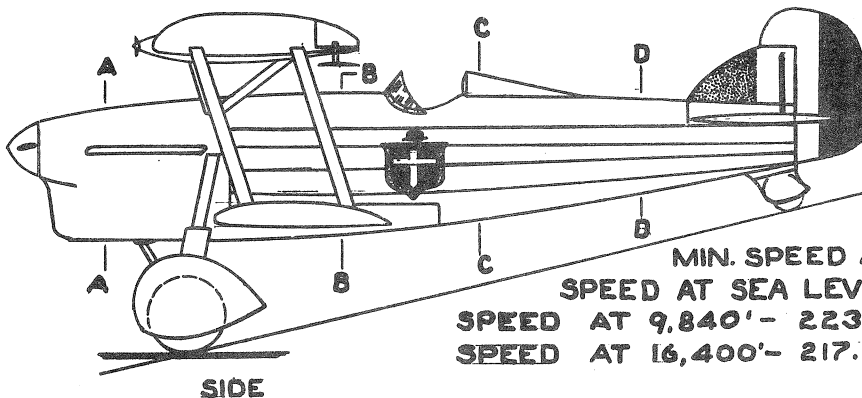
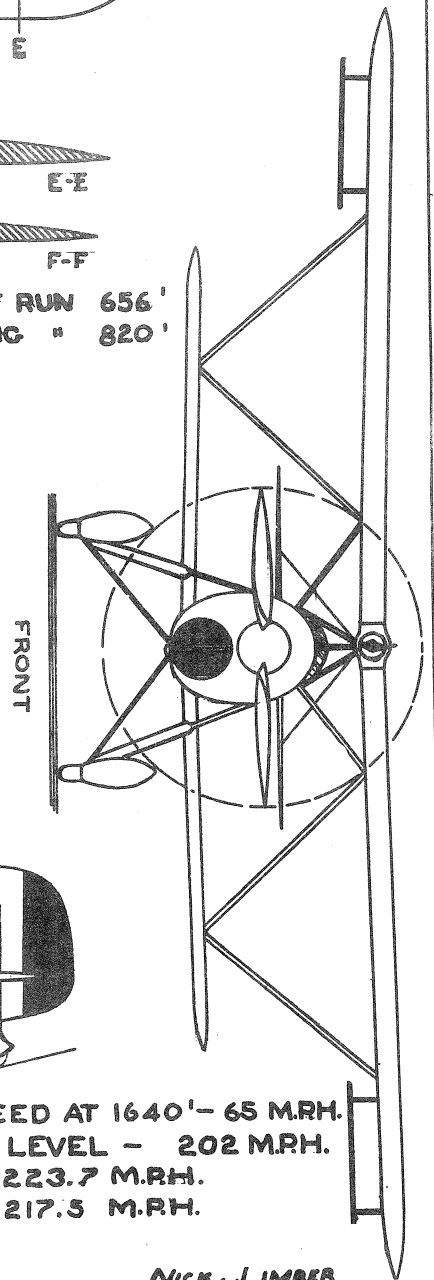
SAFETY FACTOR
 14

FLYING RANGE 2 1/2 HRS.



THEORETICAL CEILING 31,160 FT.
 SERVICE " 29,520 "

TAKE OFF RUN 656'
 LANDING " 820'



MIN. SPEED AT 1640' - 65 M.P.H.
 SPEED AT SEA LEVEL - 202 M.P.H.
 SPEED AT 9,840' - 223.7 M.P.H.
 SPEED AT 16,400' - 217.5 M.P.H.

NICK LIMBER