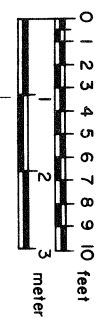
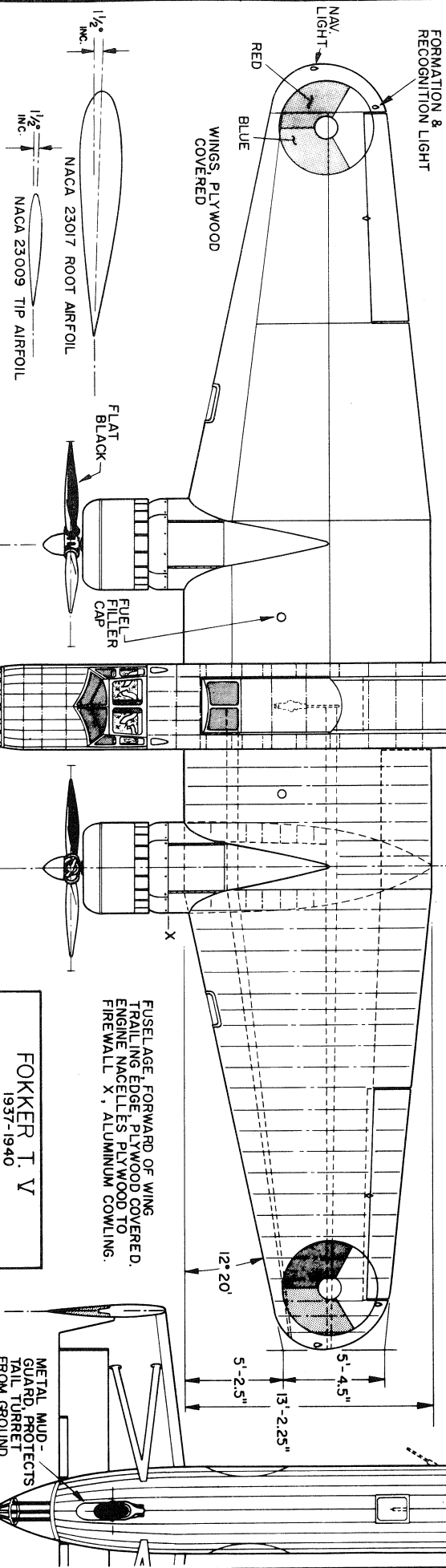


**GENERAL SPECIFICATIONS**

WEIGHT EMPTY	4,740 Kg.	10,461 lbs.
USEFUL LOAD	2,600 Kg.	5,732 lbs.
GROSS WEIGHT	7,340 Kg.	16,193 lbs.
WING AREA	66.2 m <sup>2</sup>	217.2 sq. ft.
POWER LOADING	111 kg./m <sup>2</sup>	6.6 lbs./h.p.
MAXIMUM SPEED	3/4 power 415 km/h	258 mph
CRUISING SPEED	55% power 348 km/h	216 mph
CLIMB, INITIAL, S.L.	1,000 ft.	199 mph
	4,000 m./12,000 ft.	2.5 min.
	TO 6,000 m./18,000 ft.	10.4 min.
ABSOLUTE CEILING	8,100 m.	26,575 ft.
ONE ENGINE, ABSOLUTE	7,700 m.	25,260 ft.
RANGE, CRUISE, ALTITUDE	5,300 m.	10,827 ft.
	1,350 km.	963 miles

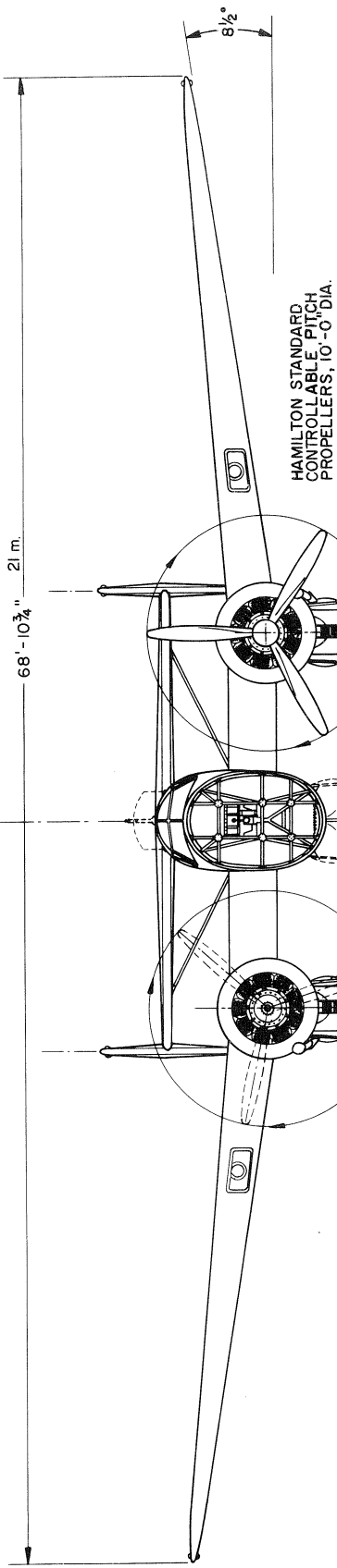
**COLORING NOTES**

PROTOTYPE, ALL SILVER, PRE-WAR NATIONAL INSIGNIA OF SERVICE CAMOUFLAGE. IRREGULAR PATCHES OF DARK GREEN, BROWN & KAHKI, BLACK UNDERSURFACES. INSIGNIA REMAINED SAME BUT CENTER DOT PAINTED OF BLACK JUST PRIOR TO NAZI INVASION OF HOLLAND. NATIONAL INSIGNIA CAMOUFLAGE AS ABOVE, TRIANGLE, OUTLINED IN BLACK. RUDDER STRIPES ABANDONED. RUDDERS SOLID ORANGE OUTLINED IN BLACK

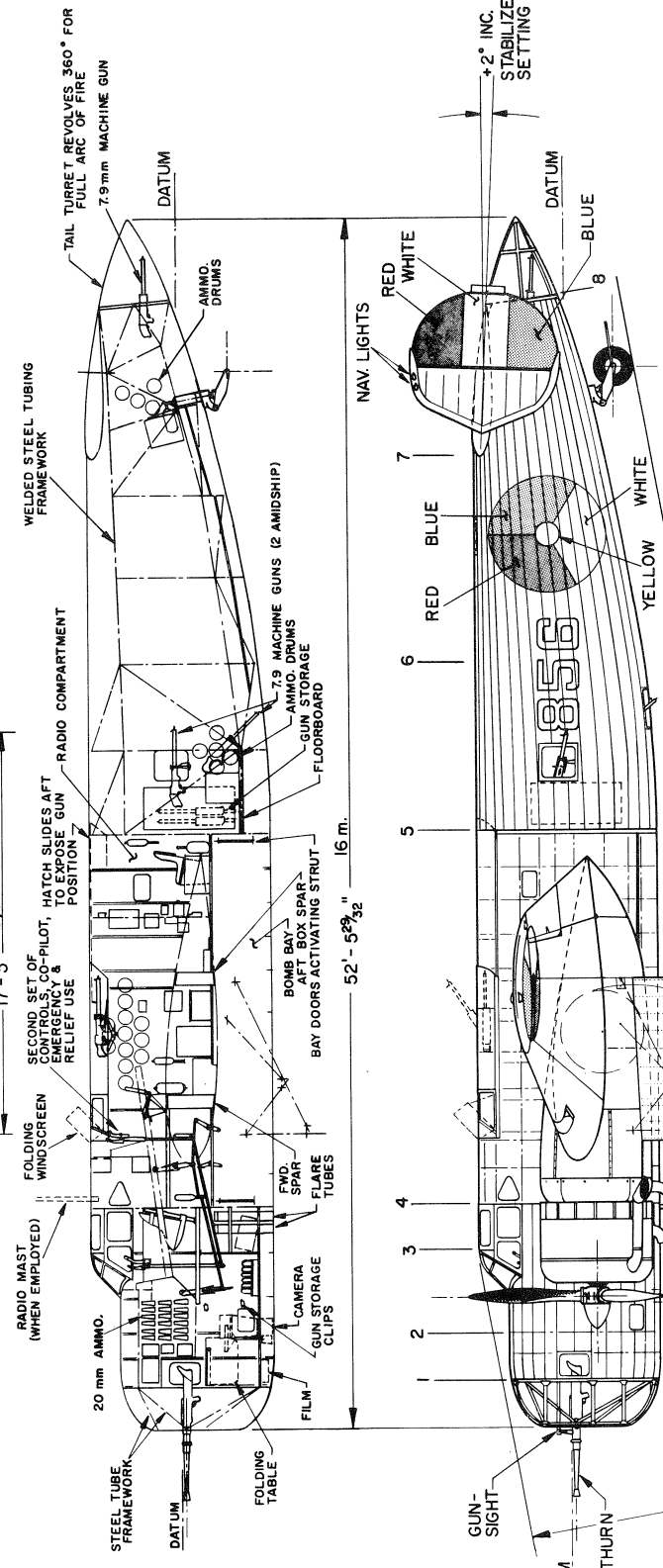
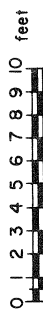
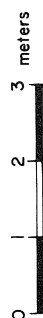


**FOKKER T. V**  
1937-1940  
BOMBARDEMENTS VLEGAFDELING (BomVA)  
DUTCH ARMY AIR FORCE  
AMSTERDAM, HOLLAND  
SCALE - ORIGINAL 1:48  
REPRO. 1:96  
DRAWN BY - PAUL R. MATT  
AERO ALBUM 1969  
P. O. BOX 33  
TEMPLE CITY, CALIF. 91790

METAL MUD-GUARD PROTECTS TAIL TURRET FROM GROUND



THESE DRAWINGS, WERE PREPARED FROM FOKKER PRINTS 34235, 41520, 41727, 42908 AND 43001 T.V



**FOKKER T. V**  
 1937-1940  
 BOMBARDEMENTS VLIEGAFDEELING (BomVa)  
 DUTCH ARMY AIR FORCE  
 AMSTERDAM, HOLLAND  
 SCALE - ORIGINAL 1:48  
 REPRO. 1:96  
 DRAWN BY - PAUL R. MATT  
 © AERO ALBUM, 1969  
 P. O. BOX 35  
 TEMPLE CITY, CALIF. 91780

NUMBERS ON SIDE OF FUSELAGE - WHITE

WE EXPRESS OUR SINCERE APPRECIATION TO MR. ALFRED DAMEN FOR SUPPLYING THE MATERIAL NECESSARY TO ACCOMPLISH THESE DRAWINGS