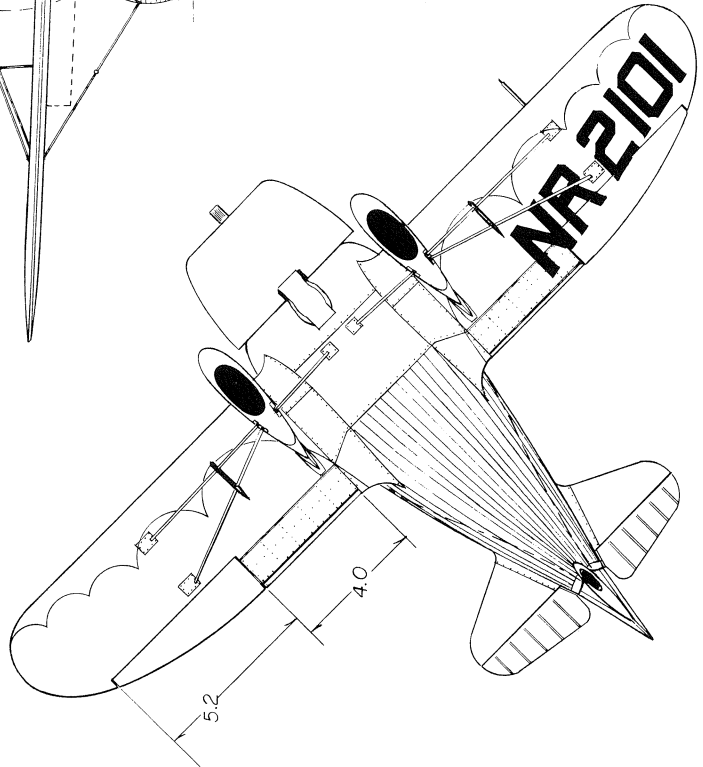
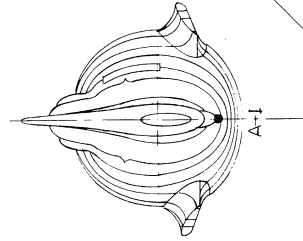
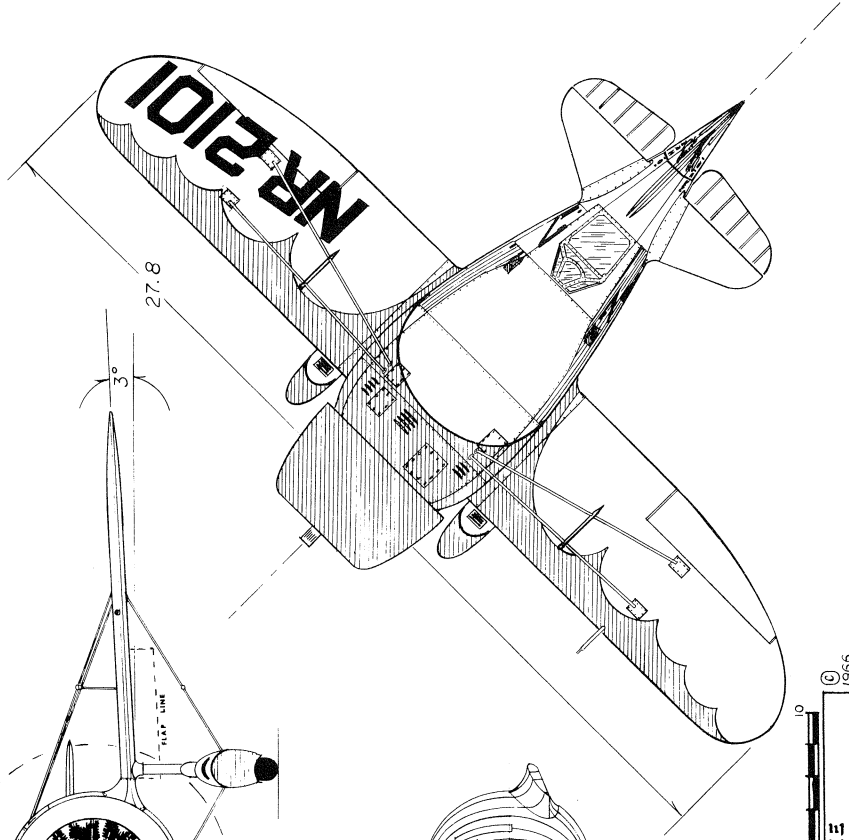
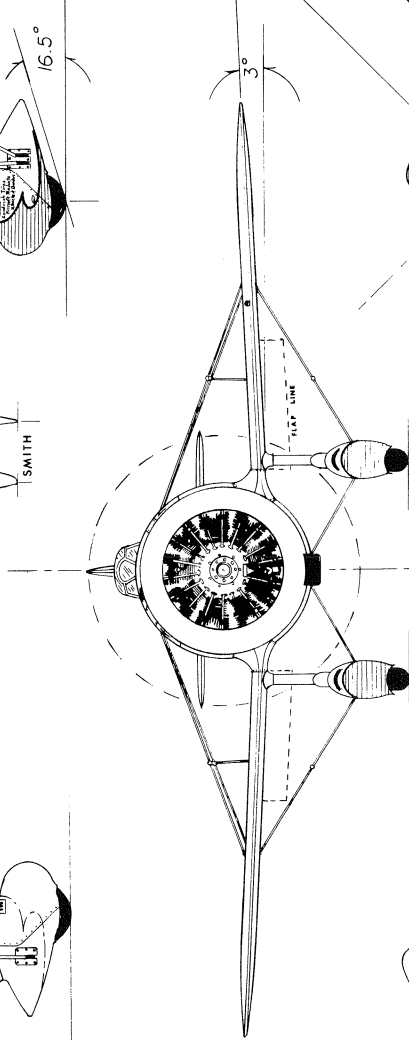
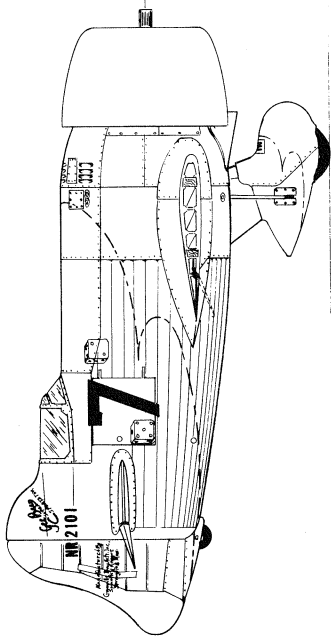
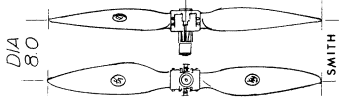
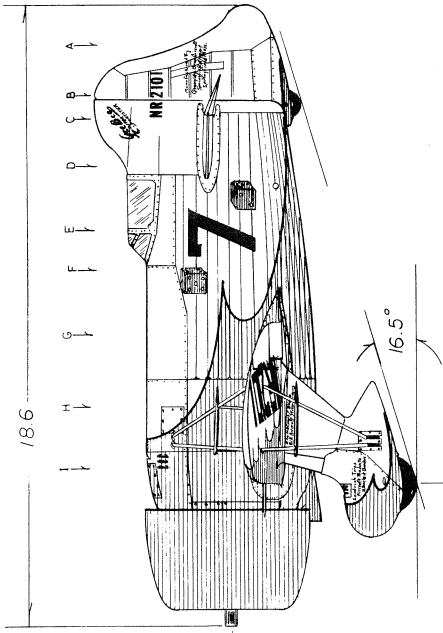


1932
 0 1 2 3 4 5 6 7 8 9 10
 SEE BEE
 P&W WASP JR.
 R-2 SHEET 8
 © 1968



1933



© 1966
GEE BEE
P&W WASP SR.

R-2 SHEET 9