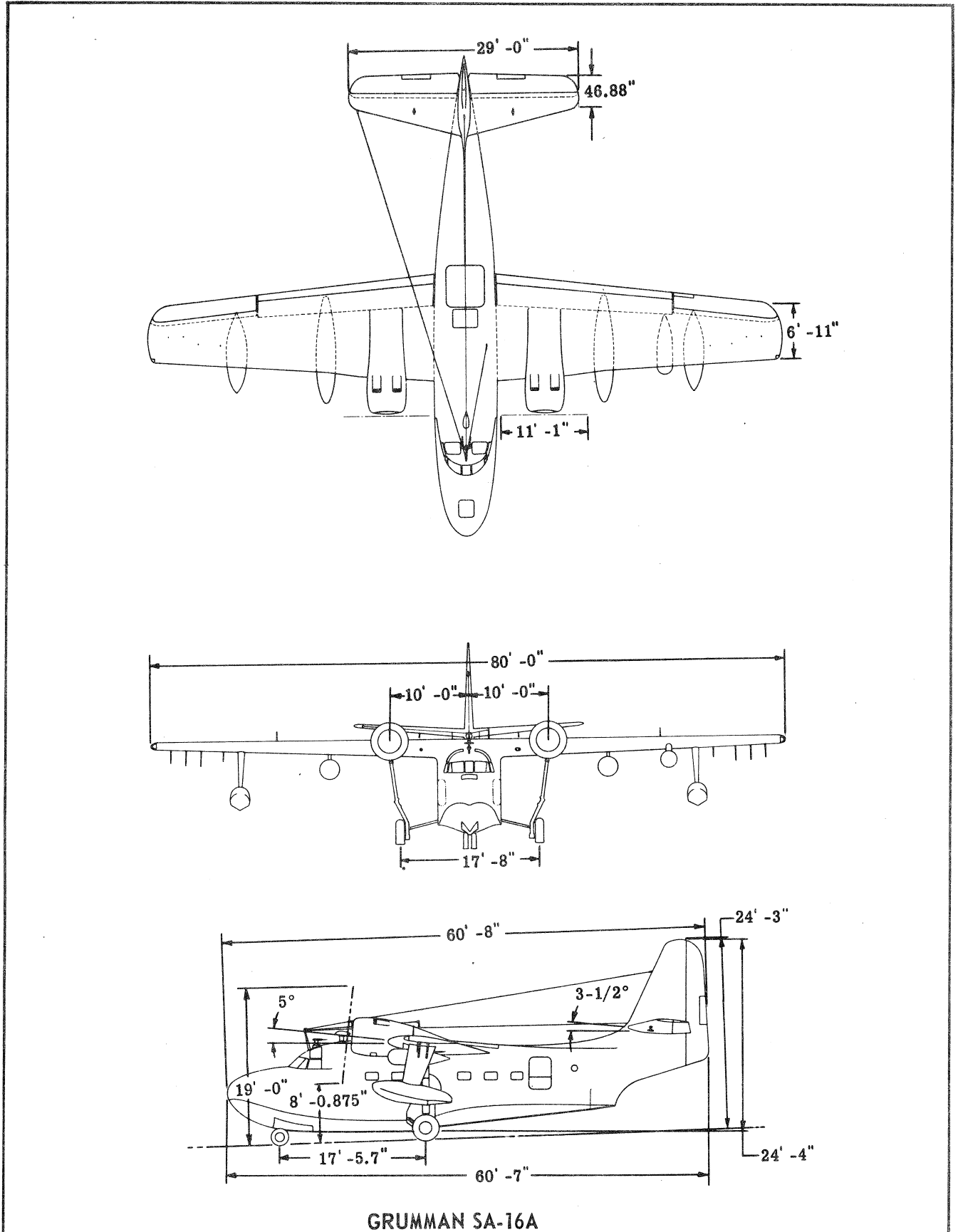


SA-16A

RESTRICTED
AN 01-85AB-2

Section I



GRUMMAN SA-16A

Figure 1-1. Three View Dimensional Drawing

RESTRICTED