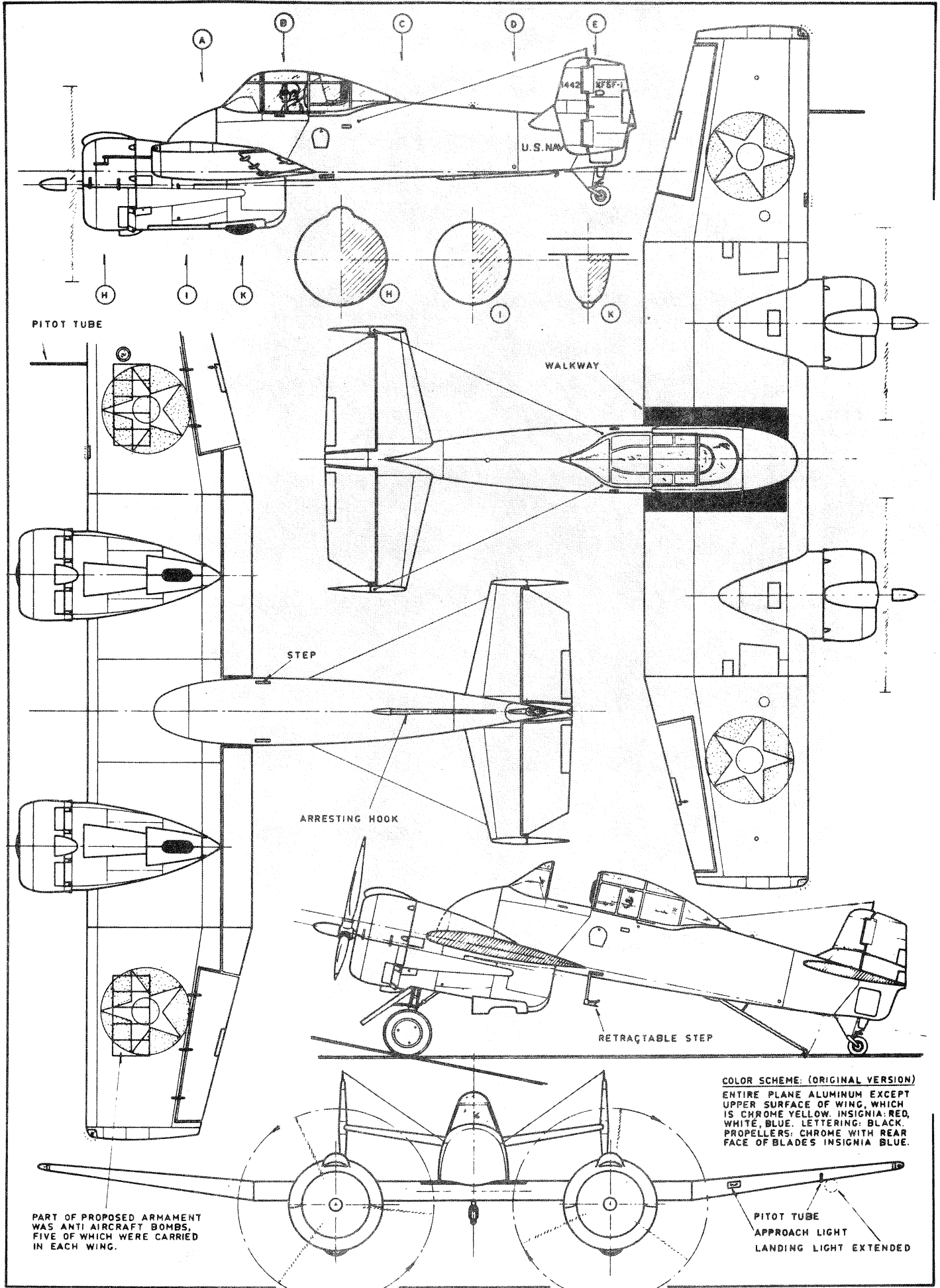


PLANES WORTH MODELING



PITOT TUBE

WALKWAY

STEP

ARRESTING HOOK

RETRACTABLE STEP

COLOR SCHEME: (ORIGINAL VERSION)
 ENTIRE PLANE ALUMINUM EXCEPT
 UPPER SURFACE OF WING, WHICH
 IS CHROME YELLOW. INSIGNIA: RED,
 WHITE, BLUE. LETTERING: BLACK.
 PROPELLERS: CHROME WITH REAR
 FACE OF BLADES INSIGNIA BLUE.

PART OF PROPOSED ARMAMENT
 WAS ANTI AIRCRAFT BOMBS,
 FIVE OF WHICH WERE CARRIED
 IN EACH WING.

PITOT TUBE
 APPROACH LIGHT
 LANDING LIGHT EXTENDED