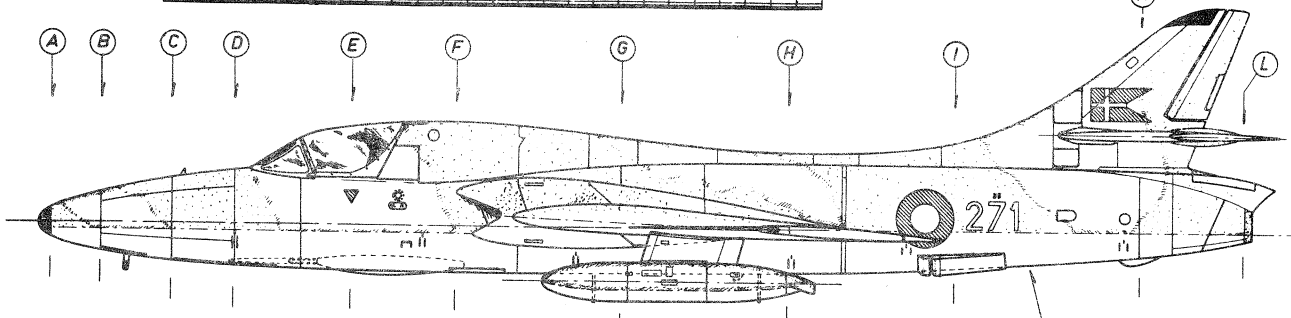
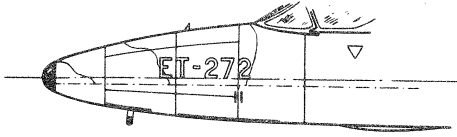


FEET

A B C D E F G H I

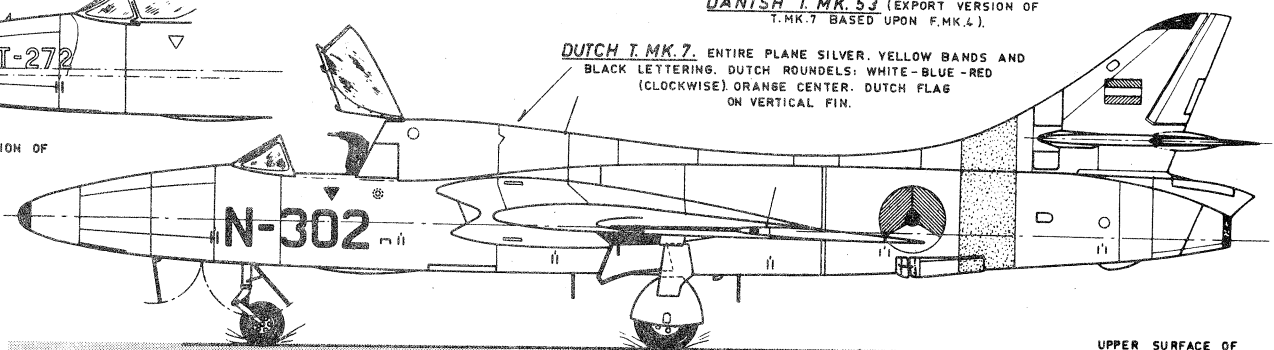


DANISH T. MK. 53 (EXPORT VERSION OF T. MK. 7 BASED UPON F. MK. 4).

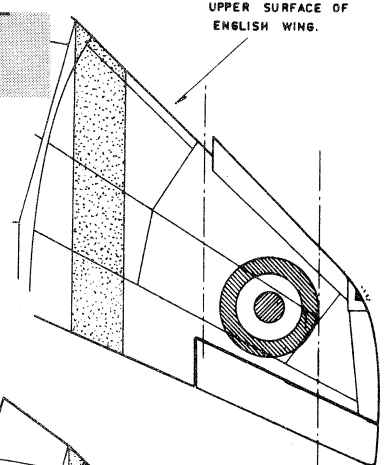
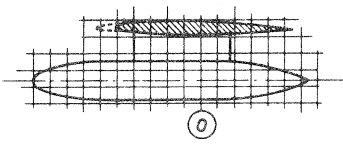
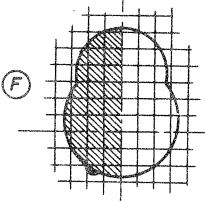
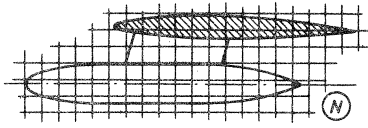
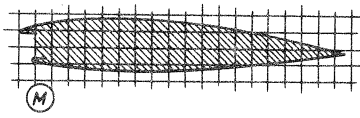
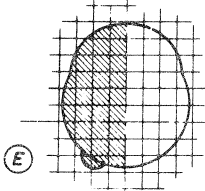
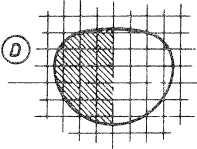
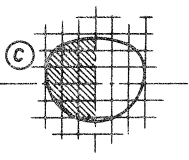
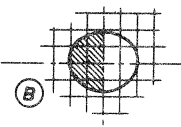
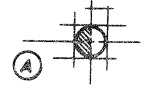


DUTCH T. MK. 7. ENTIRE PLANE SILVER. YELLOW BANDS AND BLACK LETTERING. DUTCH ROUNDELS: WHITE-BLUE-RED (CLOCKWISE) ORANGE CENTER. DUTCH FLAG ON VERTICAL FIN.

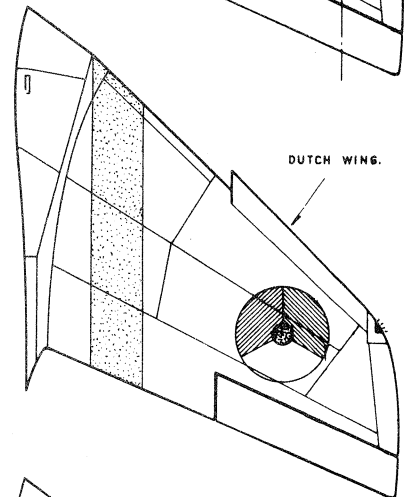
NEW STYLE AND LOCATION OF NUMBERS ON DANISH HUNTER TRAINERS.



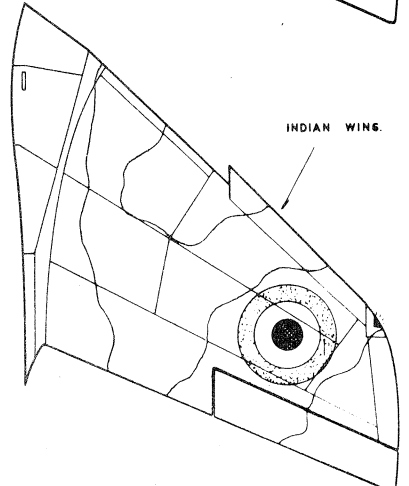
HAWKER HUNTER T.Mk 7 and 8



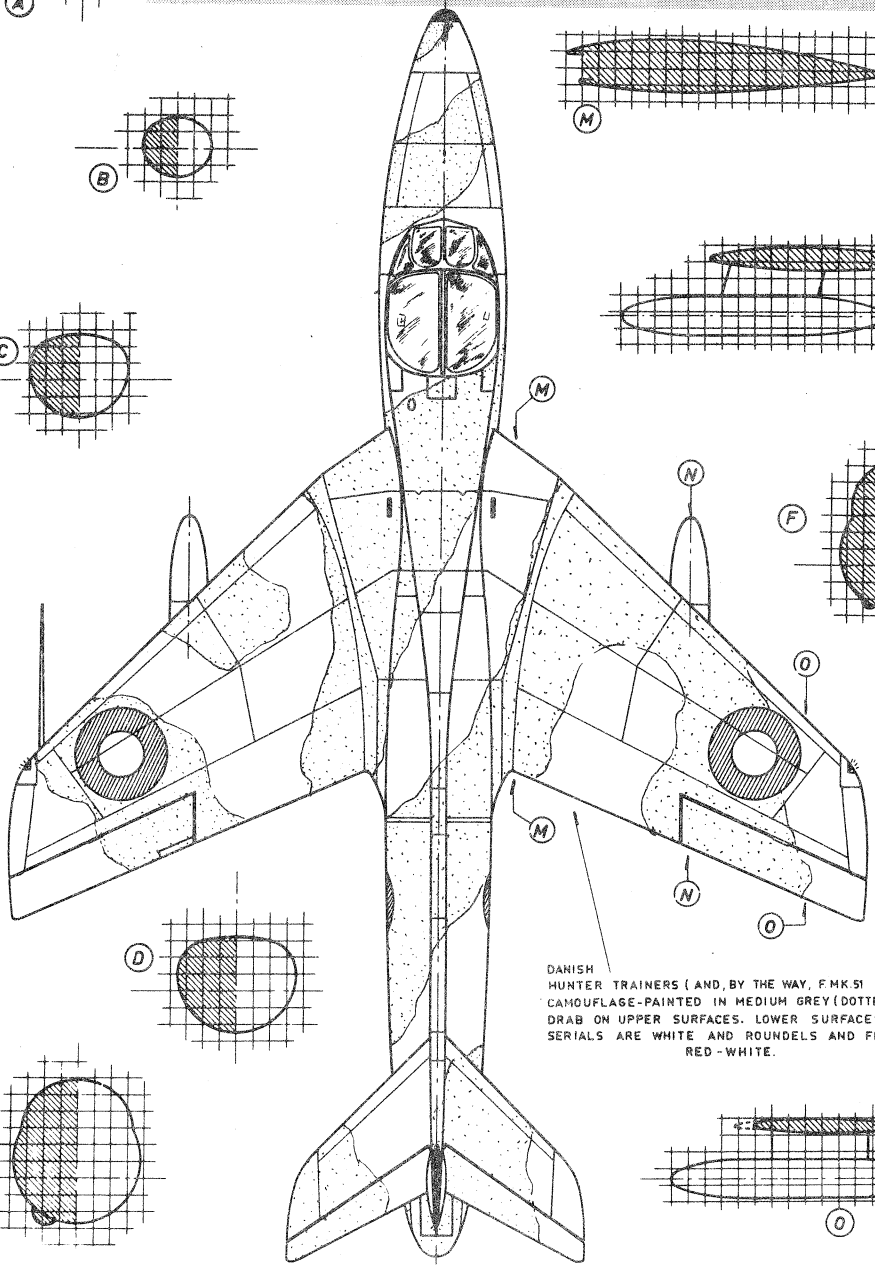
UPPER SURFACE OF ENGLISH WING.



DUTCH WING.

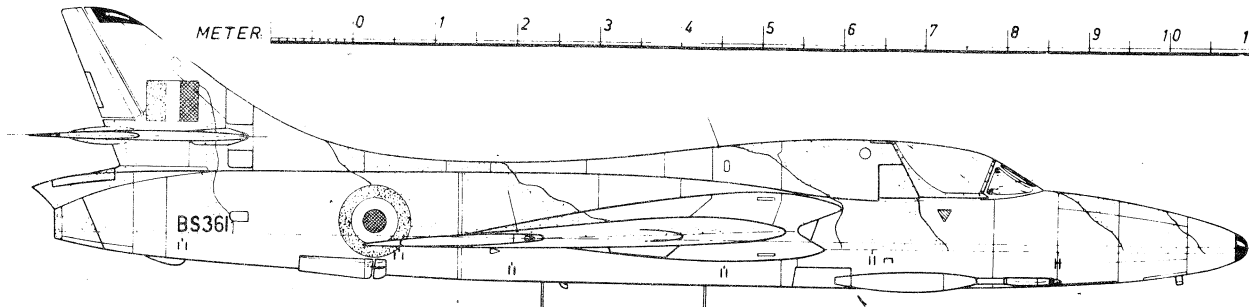


INDIAN WING.



DANISH HUNTER TRAINERS (AND, BY THE WAY, F.MK 51 FIGHTERS) ARE CAMOUFLAGE-PAINTED IN MEDIUM GREY (DOTTED) AND OLIVE DRAB ON UPPER SURFACES. LOWER SURFACES, SILVER. SERIALS ARE WHITE AND ROUNDELS AND FLAGS ARE RED-WHITE.

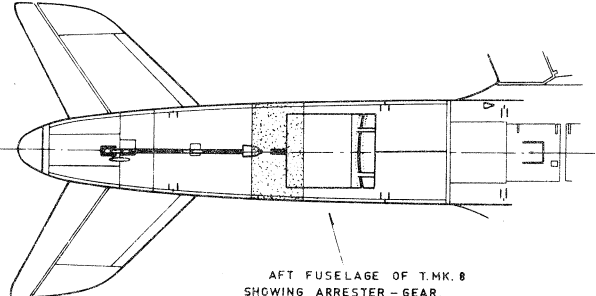
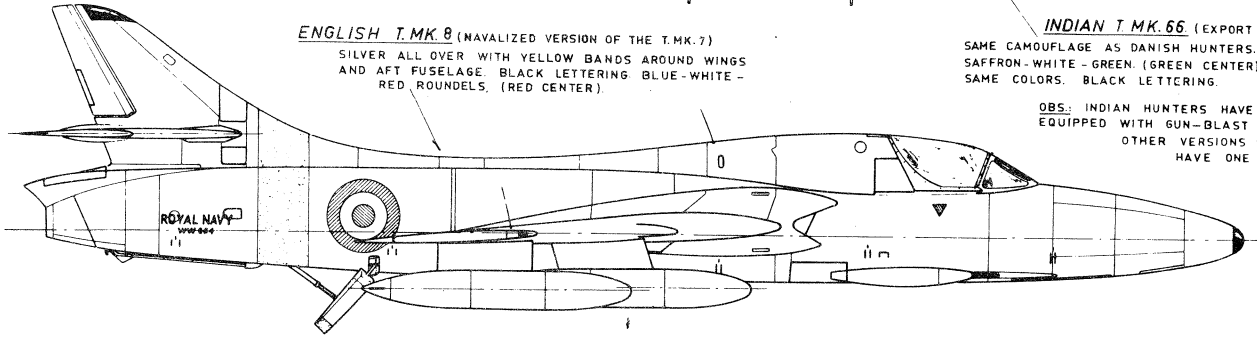
METER 0 1 2 3 4 5 6 7 8 9 10 11



ENGLISH T.MK. 8 (NAVALIZED VERSION OF THE T.MK. 7)
SILVER ALL OVER WITH YELLOW BANDS AROUND WINGS
AND AFT FUSELAGE. BLACK LETTERING BLUE-WHITE-
RED, ROUNDELS. (RED CENTER).

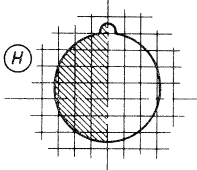
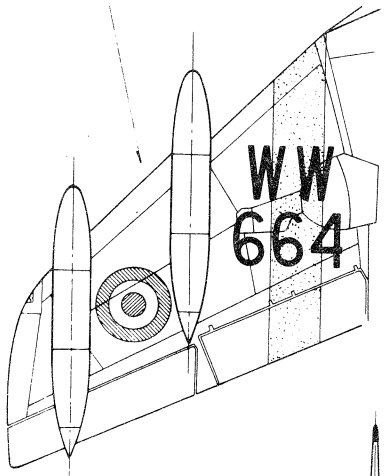
INDIAN T.MK. 66 (EXPORT VERSION OF T.MK. 7)
SAME CAMOUFLAGE AS DANISH HUNTERS. INDIAN ROUNDELS:
SAFFRON-WHITE-GREEN (GREEN CENTER). FIN FLASH IN
SAME COLORS. BLACK LETTERING.

OBS: INDIAN HUNTERS HAVE TWO 30M/M CANNON
EQUIPPED WITH GUN-BLAST DEFLECTORS. ALL
OTHER VERSIONS SHOWN IN THIS DRAWING
HAVE ONE CANNON ONLY.

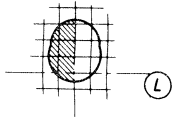
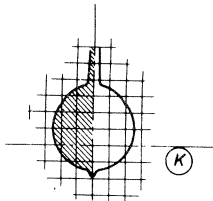
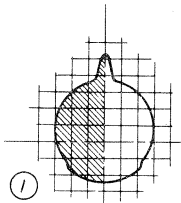


AFT FUSELAGE OF T.MK. 8
SHOWING ARRESTER-GEAR.

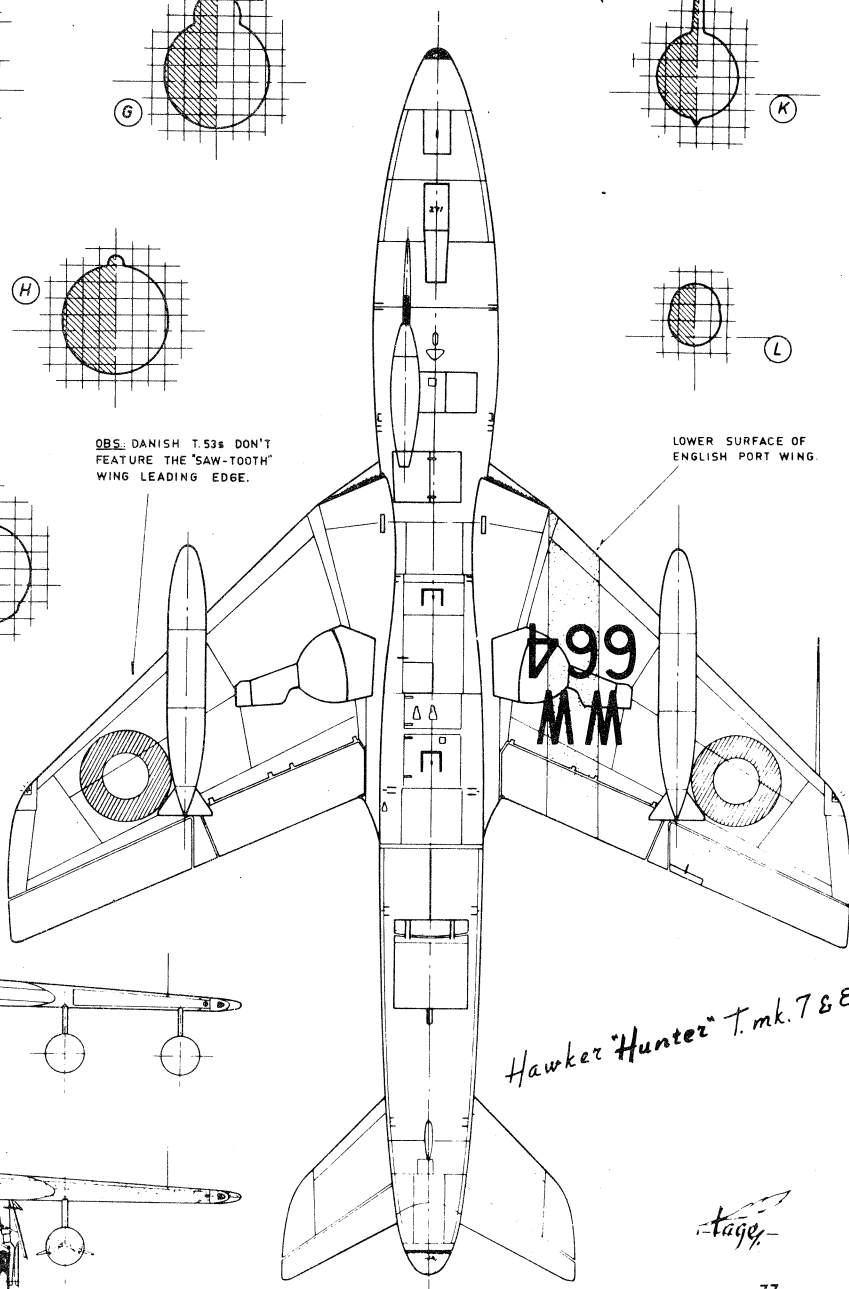
LOWER SURFACE OF ENGLISH
STARBOARD WING.



OBS: DANISH T.53s DON'T
FEATURE THE "SAW-TOOTH"
WING LEADING EDGE.



LOWER SURFACE OF
ENGLISH PORT WING.



Hawker Hunter T.mk. 7 & 8

Page

