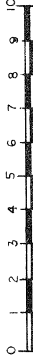
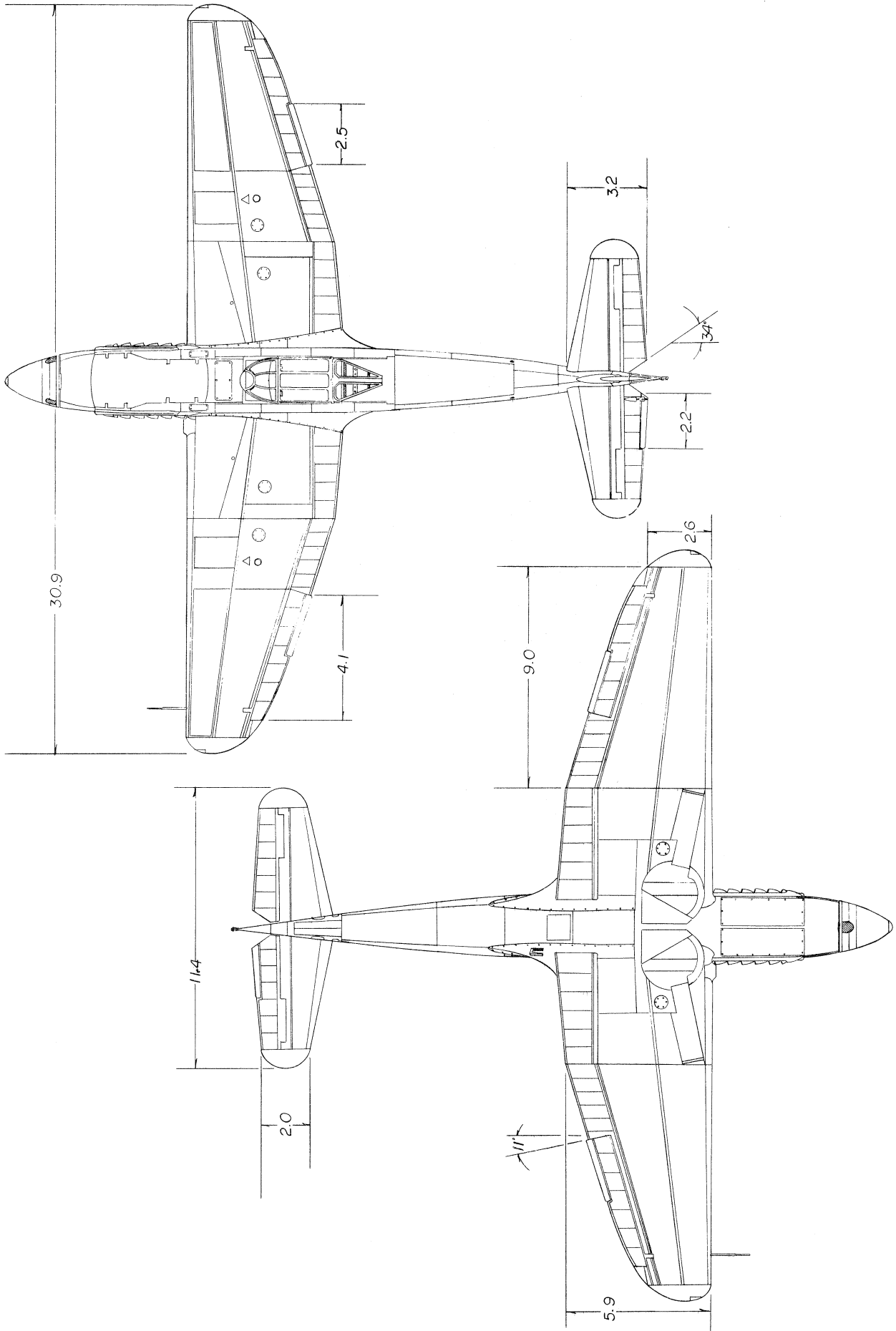


JUNE 1938

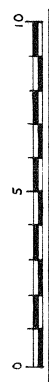
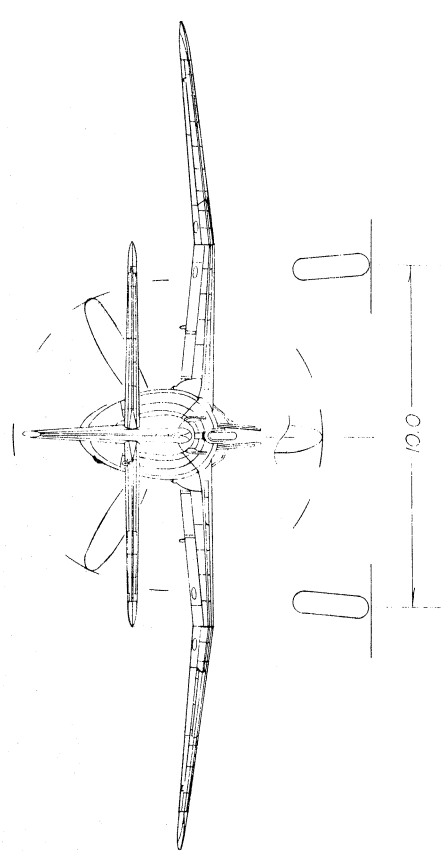
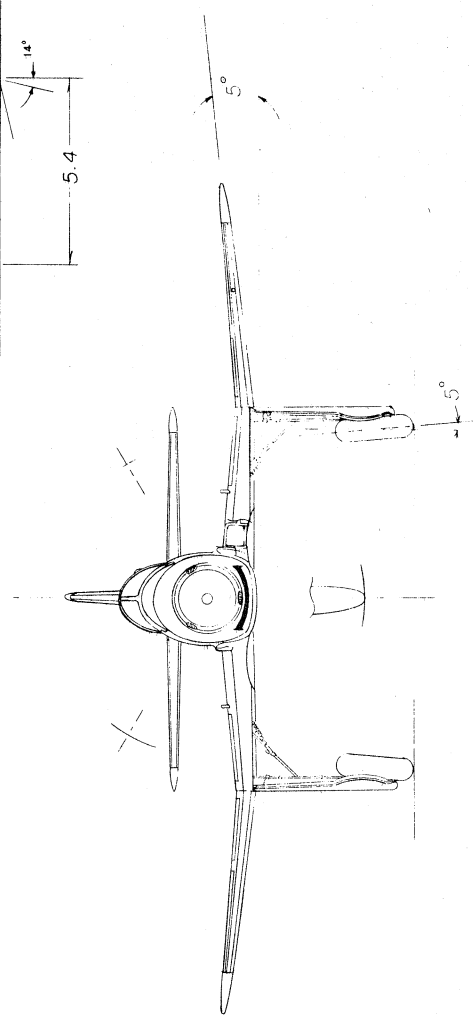
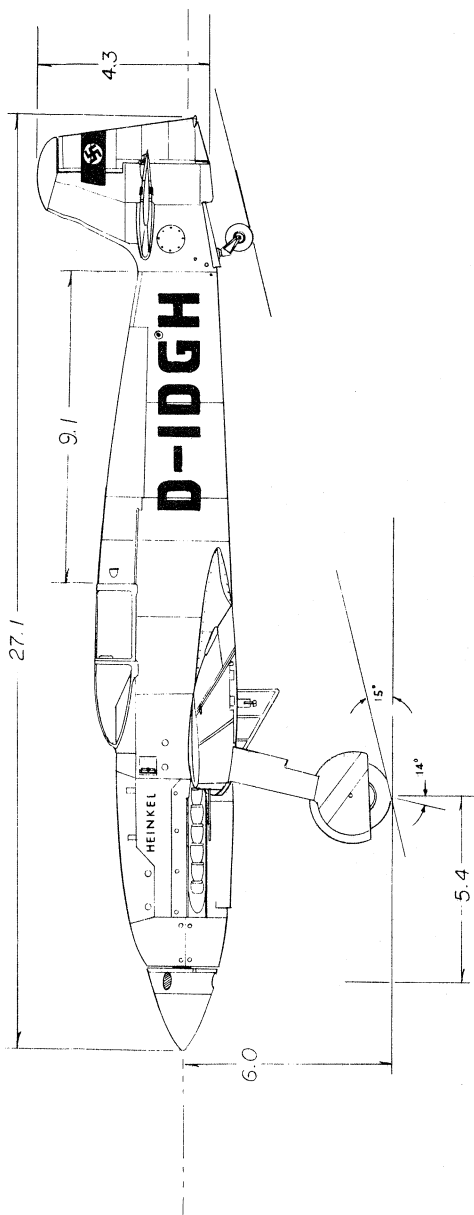


HEINKEL  
HE 100V-2  
DB-601A ENGINE SHEET 1

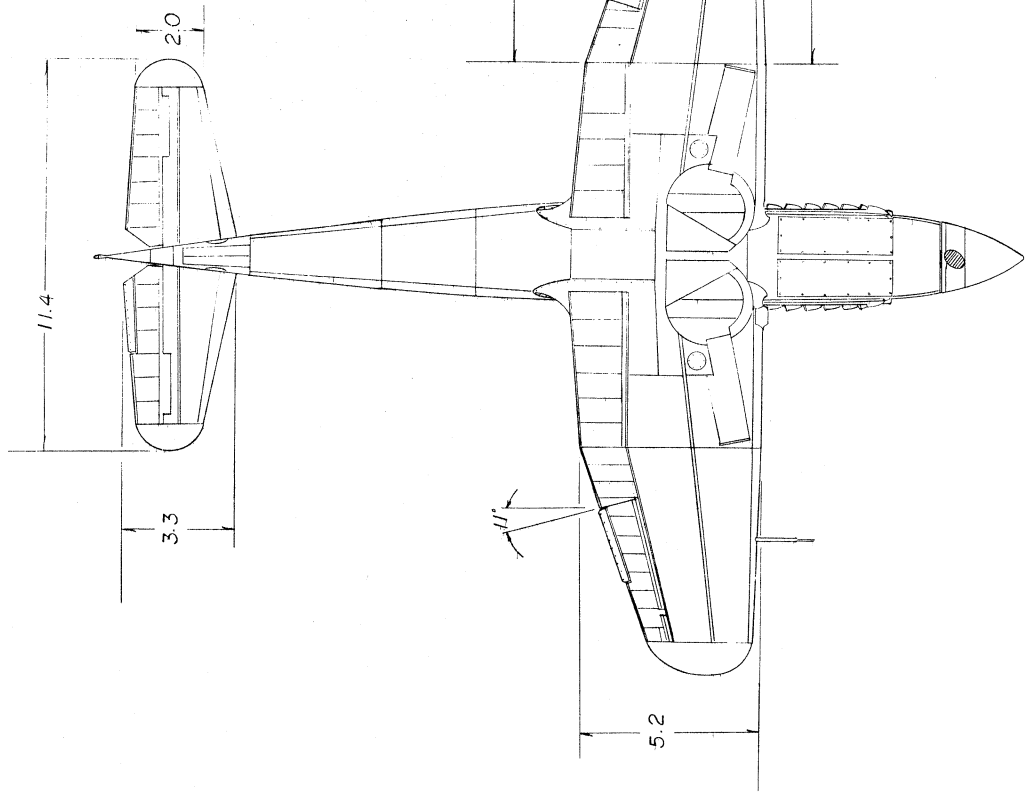
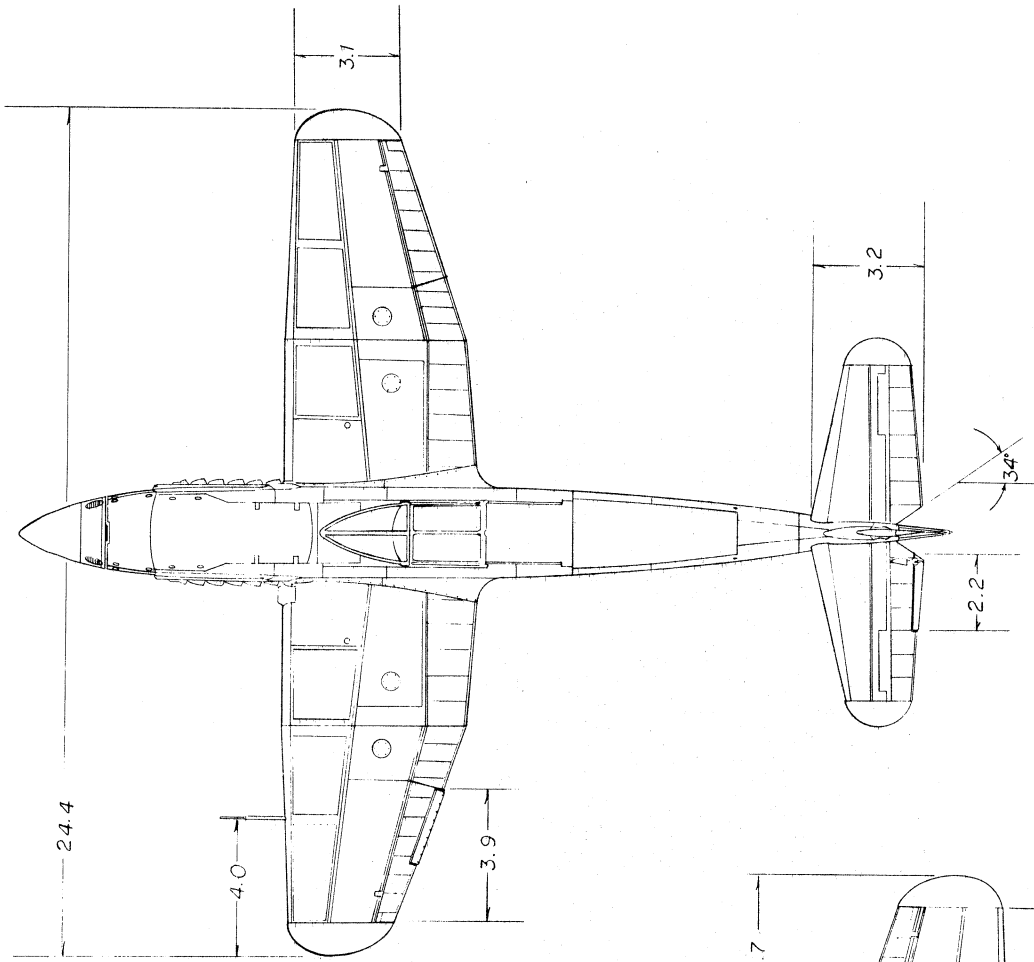
© 1936



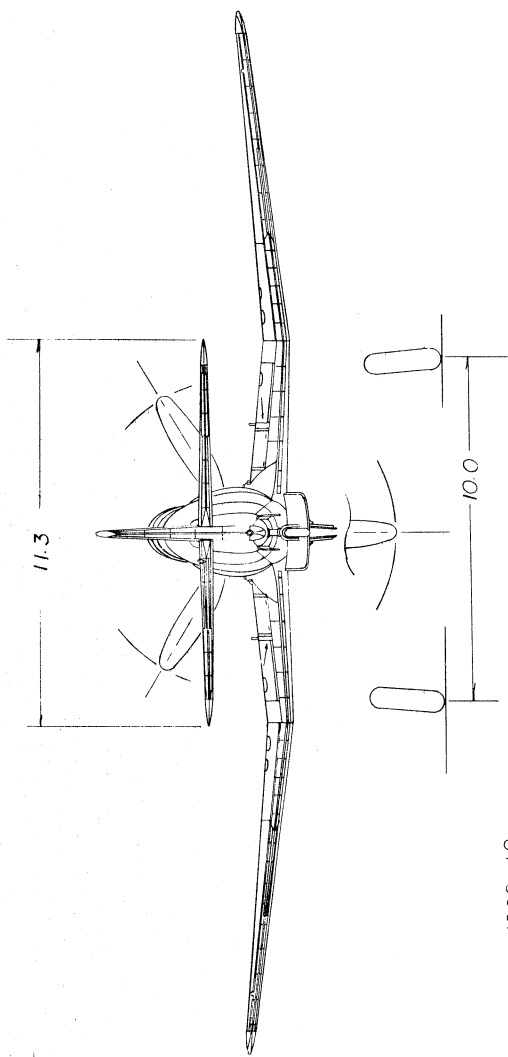
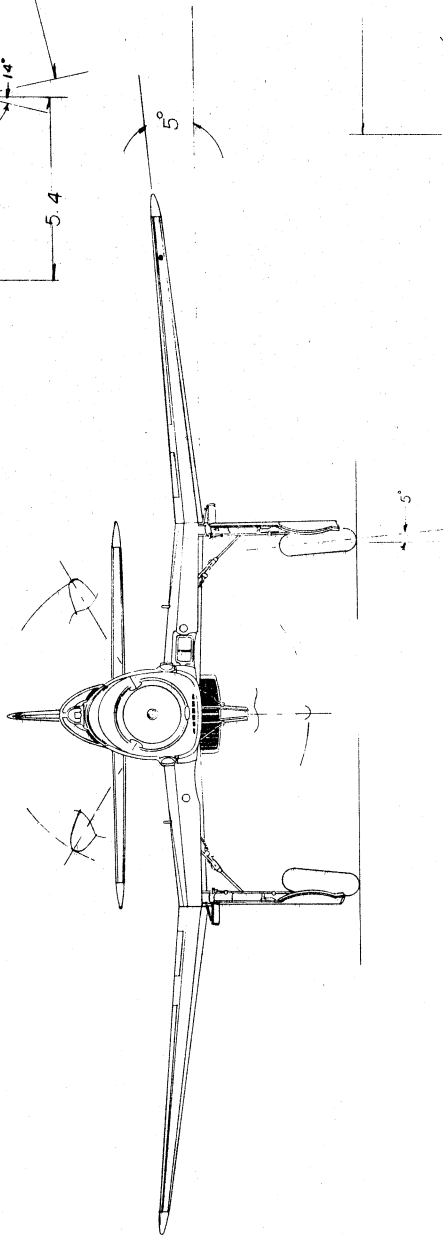
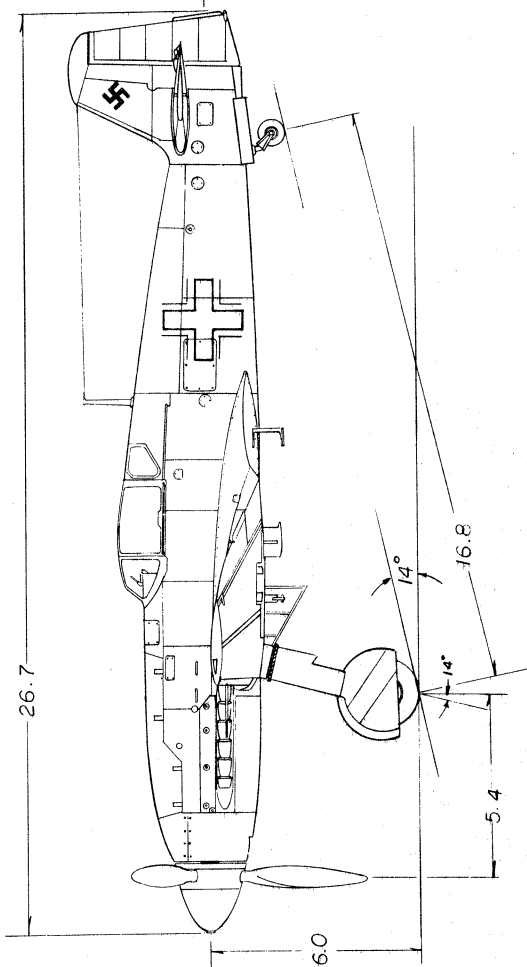
0 5 10  
 HEINKEL  
 HE 100V-2  
 SHEET 1A  
 © 1966



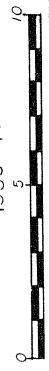

**HEINKEL**  
 HE 100V-8  
 DB-601R ENGINE SHEET 2



HEINKEL  
HE 100V-8  
SHEET 2A



1939-40

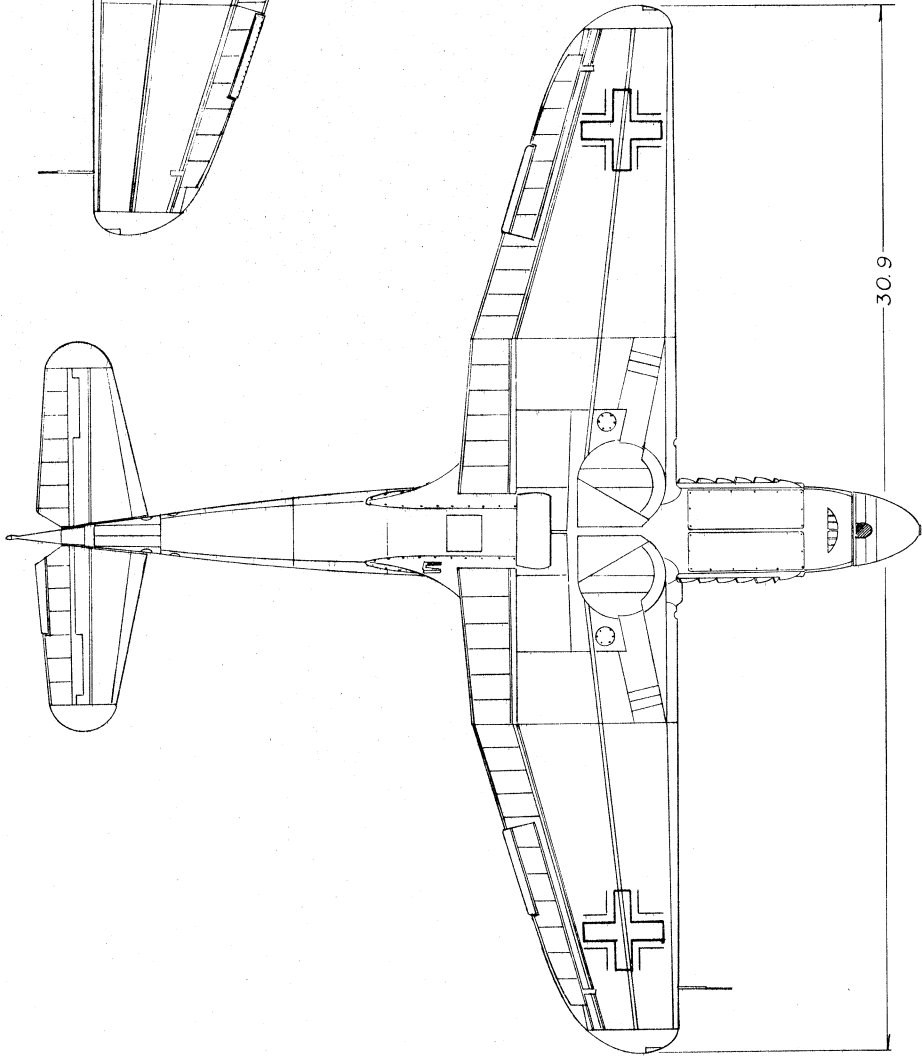
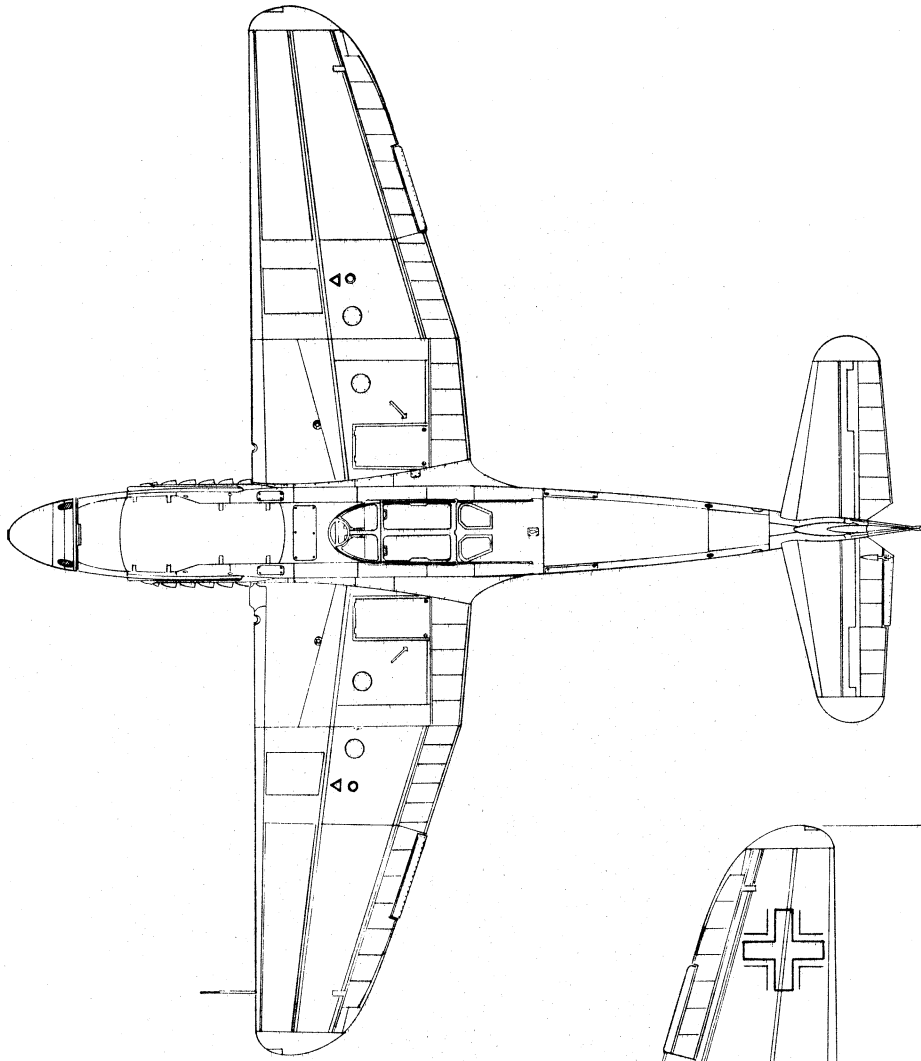


©  
HGG  
RS HIRSCH

HEINZEL  
HE 100D

DB 601A

SHEET 3



© 1966 R. SHIRSCH  
HEINIKEL  
HE 100D  
SHEET 3A

