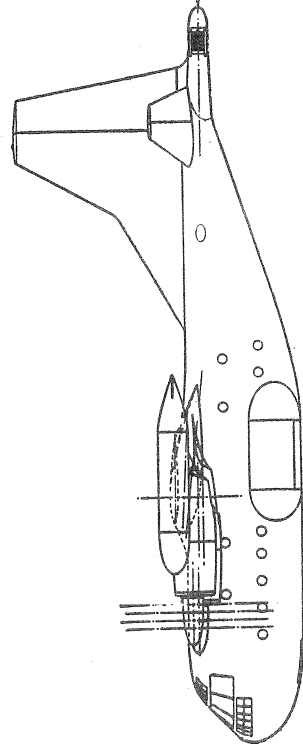
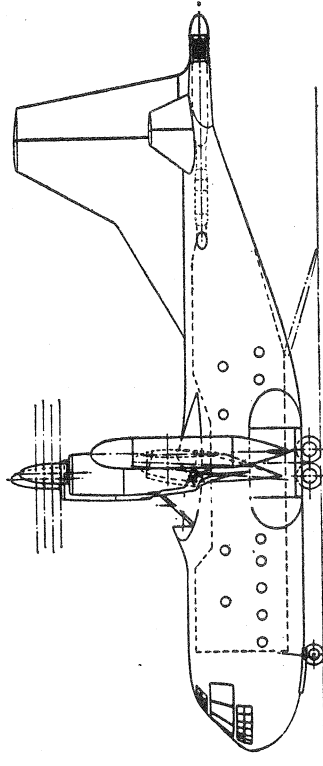
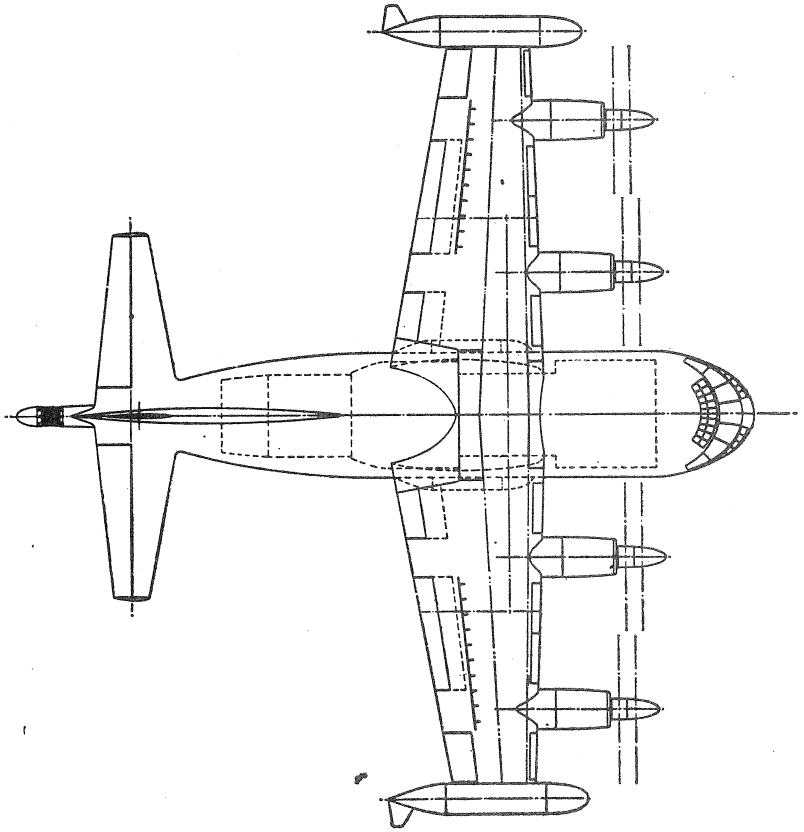
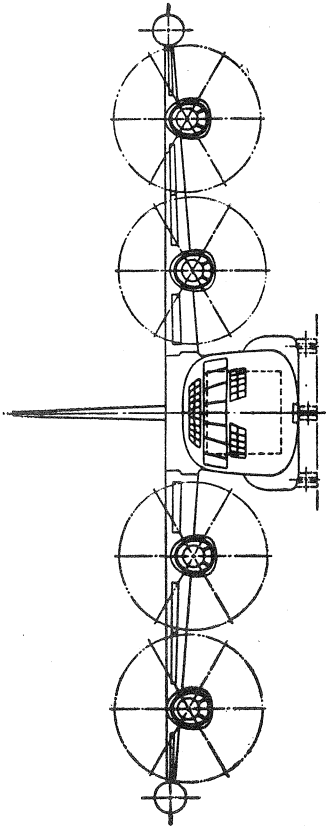


**FOUR-ENGINEED HILLER** would be able to operate out of small clearings as military transport (above). Lowered tail-jet provides pitch and yaw control while the aircraft is hovering.



HILLER XC-142