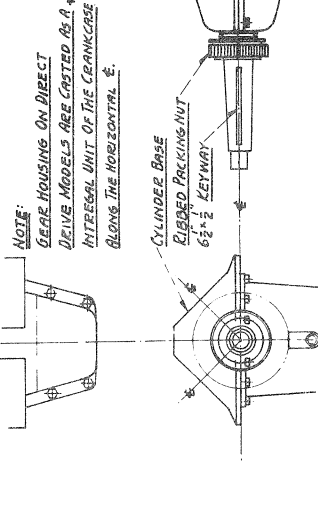
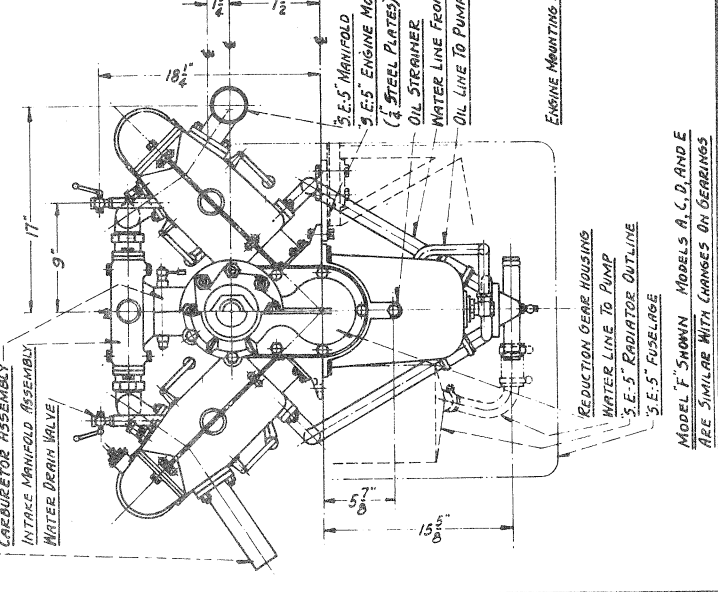
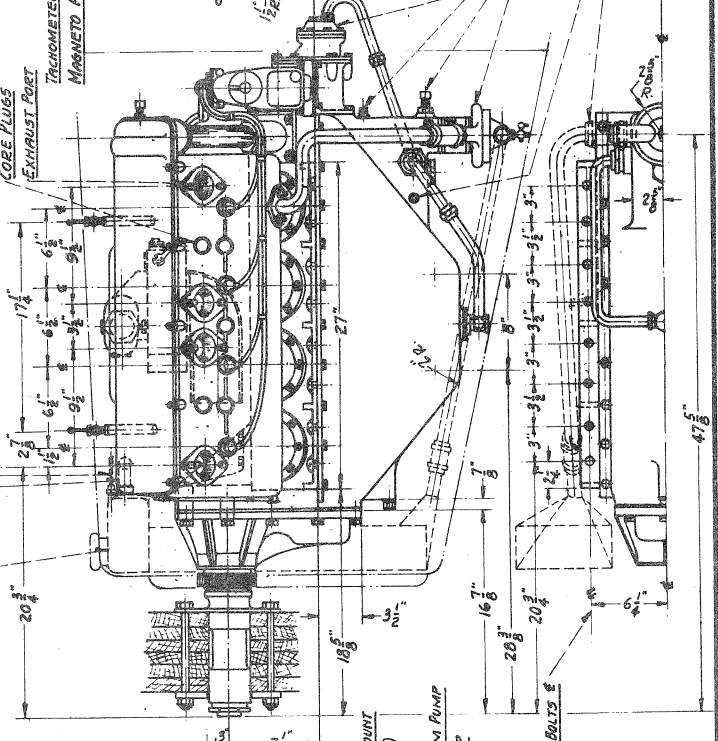
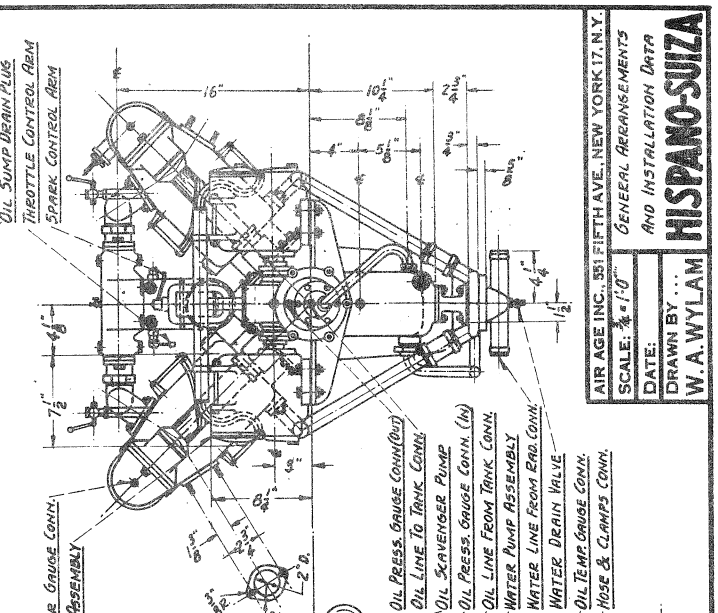
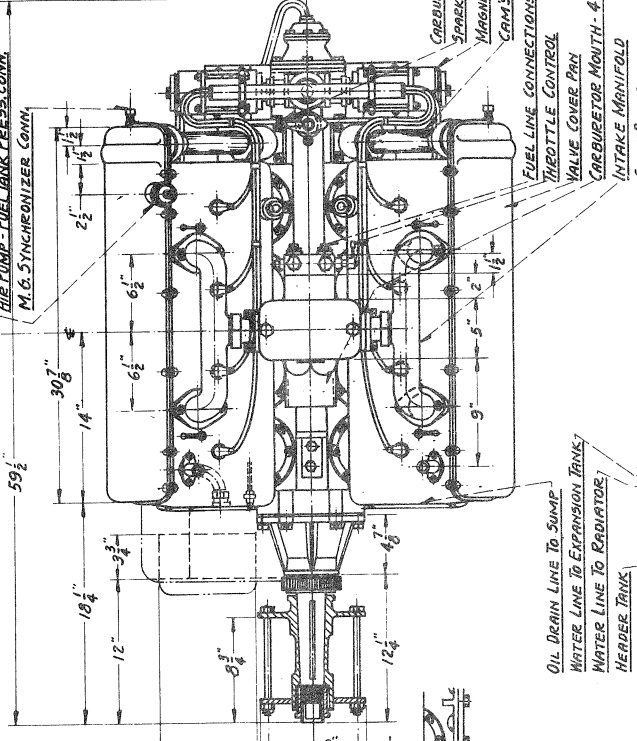
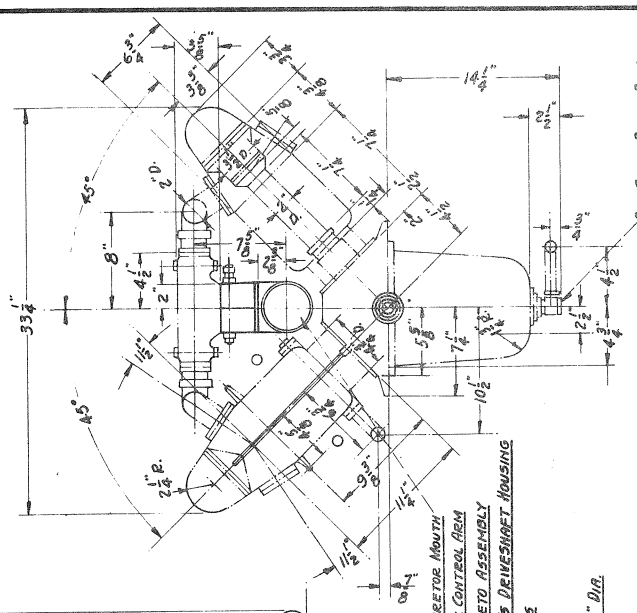


MODEL	H.P.	GEARING	BORE	DESIGN CHANGES
A	150	DIRECT DRIVE 4:72	3.5"	SAME AS MODELS C AND D
C	200	PROP RED GEAR 4:72	3.5"	MODEL SHOWN - SAME AS A, P
D	220	PROP RED GEAR 4:72	3.5"	PROVISION FOR M.G. IN VEE
E	180	DIRECT DRIVE 5:33	3.5"	LARGER CARBURETOR
F	220	PROP RED GEAR 4:72	3.5"	NO PROVISION FOR GUN IN VEE
H	300	DIRECT DRIVE 5:51	3.5"	RECTANGULAR OIL SUMP & CARB.
K	300	PROP RED GEAR 5:51	3.5"	FOR 37mm. CANNON IN VEE
M	300	DIRECT DRIVE 5:51	3.5"	NO PROVISION FOR 37mm. CANNON



DIRECT DRIVE GEAR HOUSING DETAILS
 MODELS A, E, H, & M



AIR ENGINE, 851 FIFTH AVE., NEW YORK 17, N.Y.
 GENERAL ARRANGEMENTS
 AND INSTALLATION DATA
HISPANOSUJZA
 DRAWN BY ...
 W. A. WYLAN
 DATE: ...
 SCALE: 1/4" = 1"