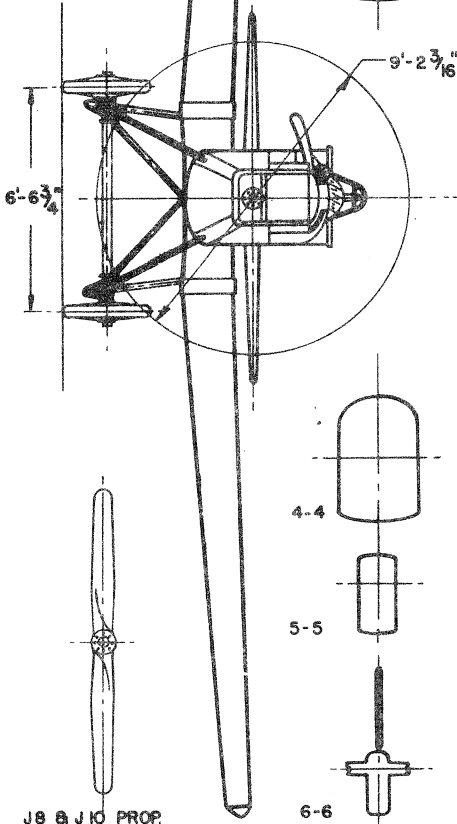


FRONT VIEW - J 10



J 8 & J 10 PROP.

J 8 INSIGNIA  
TOP & BOTTOM

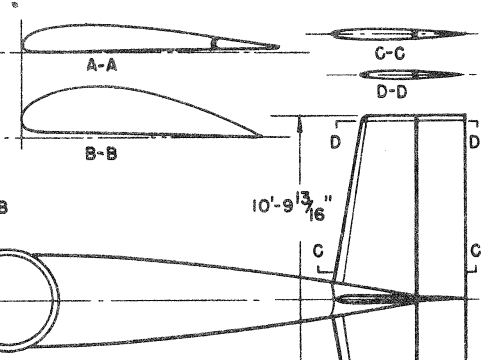
J 8 AILERON  
J 10 AILERON

COLOR SCHEME

- J 8 - ALL SURFACES - NATURAL METAL- (CORRUGATED)
- J 8 & J 10 CROSSES - BLACK WITH WHITE TRIM
- J 10 - LETTERS & NOS - BLACK
- RUDDER - WHITE
- TOP - GREEN & BROWN
- BOTTOM - LT. BLUE

NOTE:

J 8 SAME AS J 10 EXCEPT AS SHOWN



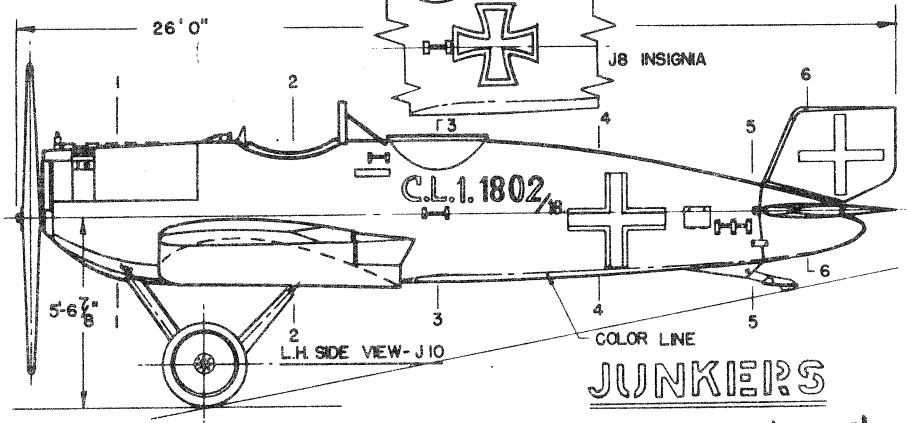
PLAN VIEW - J 10

SPAN - J 8  
40'-2 1/8"

SPAN - J 10  
38'-1 1/4"

J 8 ENGINE AND  
LANDING GEAR  
INSTALLATION

J 10 INSIGNIA - TOP & BOTTOM



L.H. SIDE VIEW - J 10

COLOR LINE

**JUNKIERS**  
**J 8 AND J 10 (CL-1)**

Drawn By: JIM MORROW

