

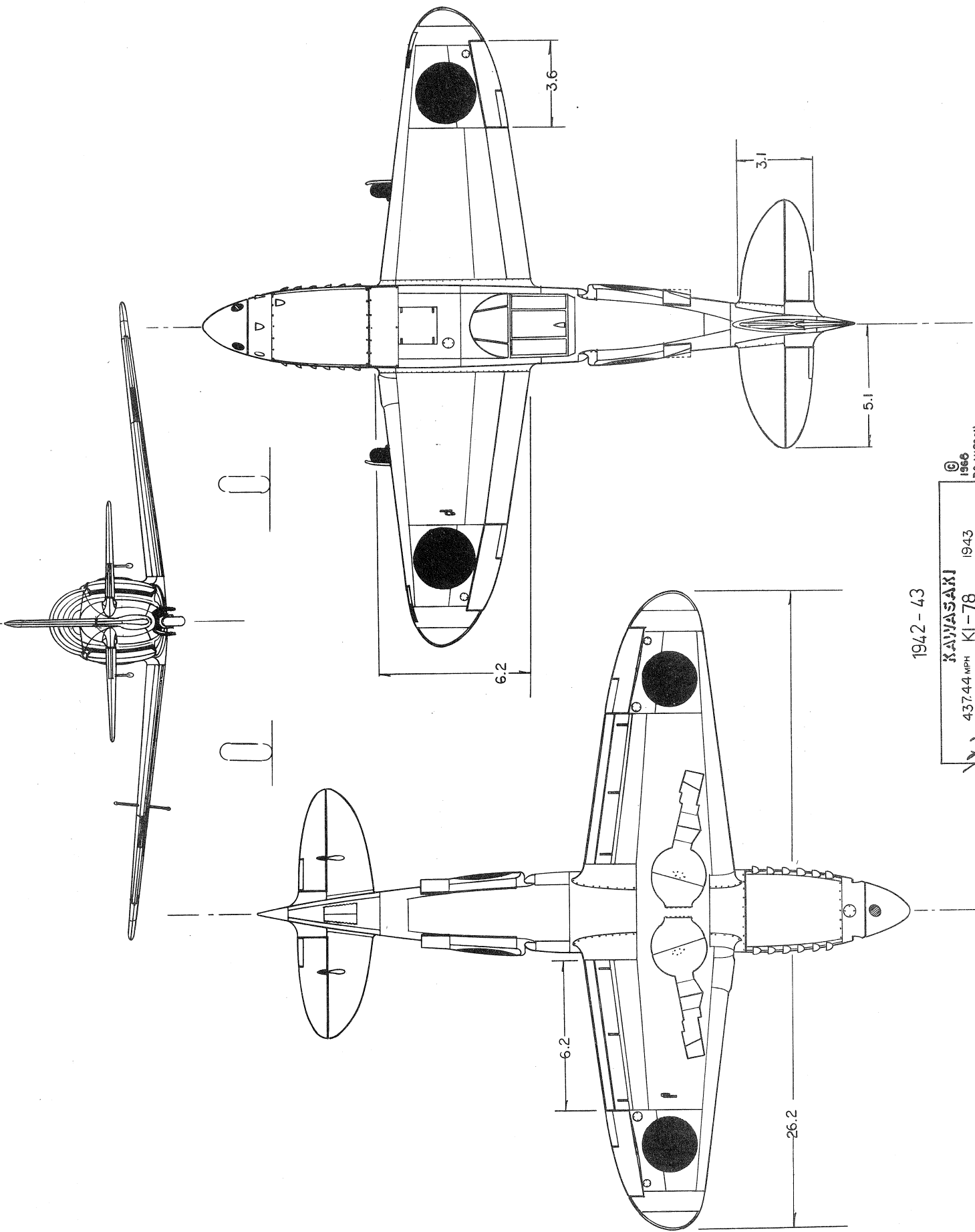
1942-43



DB-601A
KAWASAKI
 KI-78
 1700 PS.
 © 1966
 RS. HIRSCH

TOKYO U. RESEARCH LABS 1939

COLOUR: YELLOW; SUN = RED.
 BROWN RUN TTY MACHINES, WHITE
 & BLUE. PHOTOGRAPHED WITH
 100-1100-1000 WHITE MARK
 TIP.



1942 - 43

KAWASAKI
 437.44 MPH KI-78 1943
 WORLD RECORD TRY 3A

© 1966
 R.S. HIRACH