

Gorsair II

BY

LSTV

U.S. NAVY A-7A

BUILT BY LING-TEMCO-VOUGHT INC., DALLAS, TEXAS

The A-7 Corsair II light attack aircraft is designed to give the fleet a versatile attack airplane capable of furnishing close support to ground forces. An outgrowth of the famous F-8 Crusader supersonic fighter, the A-7A is powered by the Pratt & Whitney TF-30 which, with afterburner, is the F-111. The submarine A-7A carries a wide variety of bombs, missiles and rockets on its six wing pylons and two fuselage pylons.

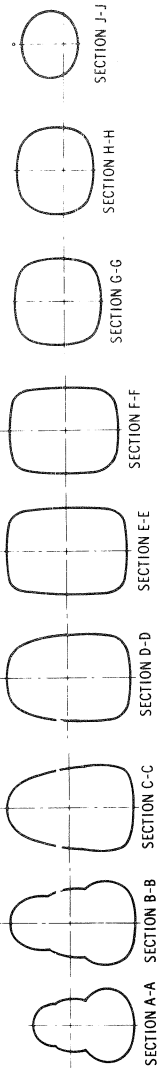
COLOR NOTES

Light Gray (Flat) - Top of Fuselage, Top of Wing and Fin.
 Light Blue (Gloss) - Bottom of Fuselage, Bottom of Wing, Pylons, Stores, and All Control Surfaces

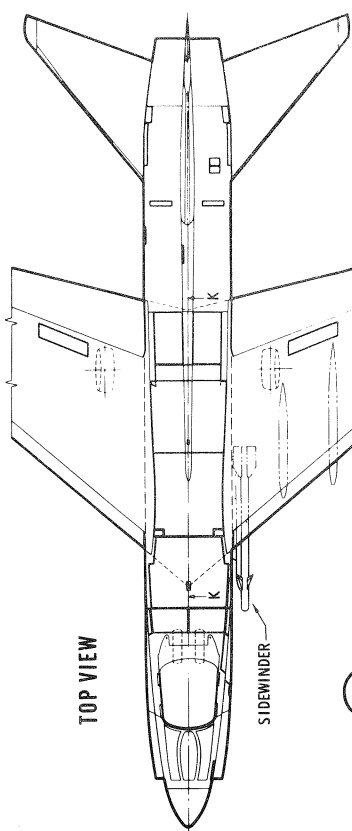
Gloss Black - All Lettering
 Flat Black - Nose Cone and Windshield Frame
 Silver - Leading Edge of Wing and Tail Surfaces

DIMENSIONS

Wing Span 38.7 Ft (464.7 In.)
 Length 45.4 Ft (544.8 In.)
 Height 16.2 Ft (194.3 In.)



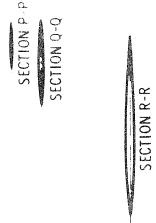
FUSELAGE CONTOURS



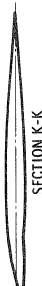
TOP VIEW

SIDEWINDER

TAIL CONTOURS



SECTION R-R

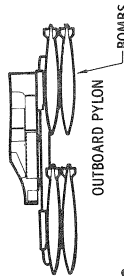


SECTION L-L

SECTION M-M

SECTION N-N

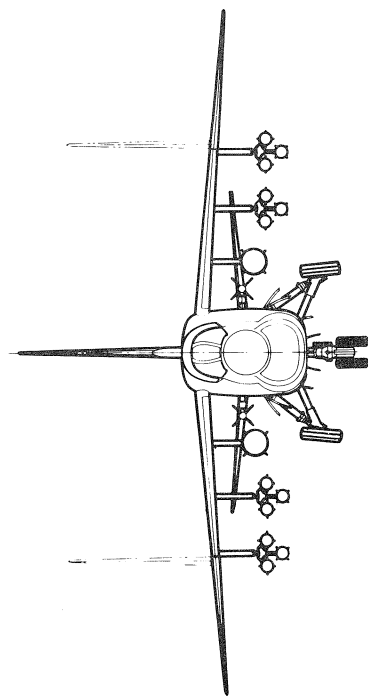
WING CONTOURS



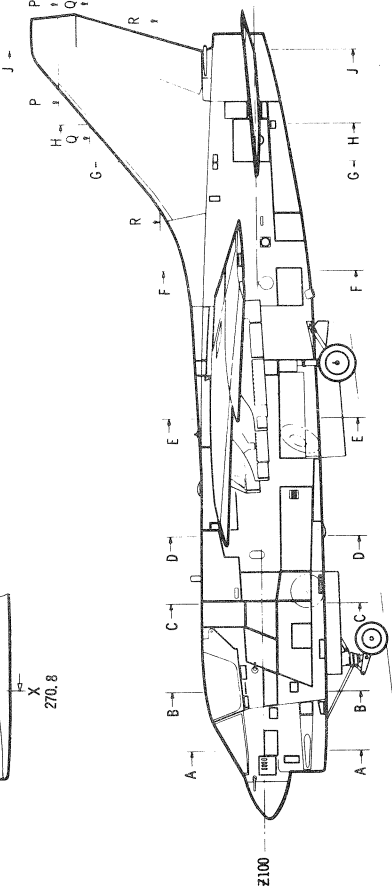
INBOARD PYLON

OUTBOARD PYLON

BOMBS



FRONT VIEW



PROFILE VIEW

SCALE IN FEET

