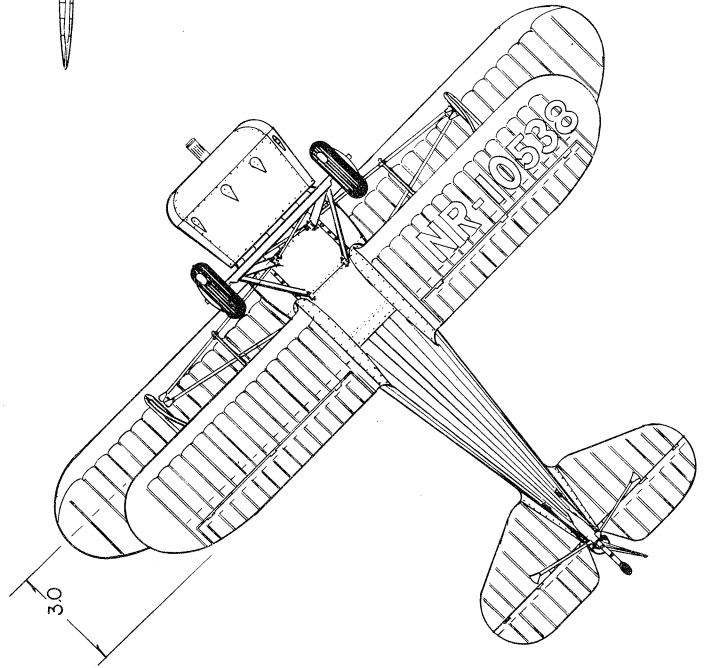
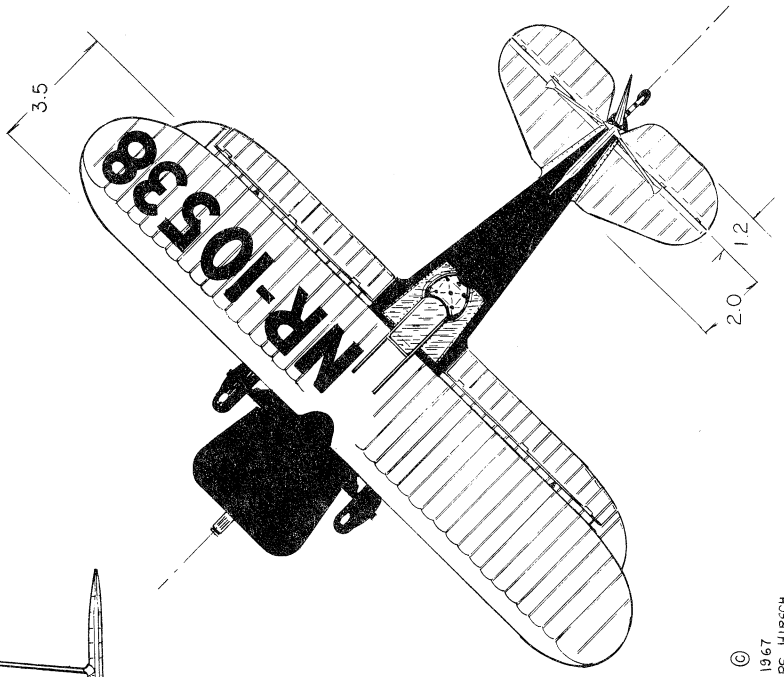
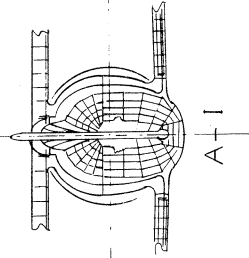
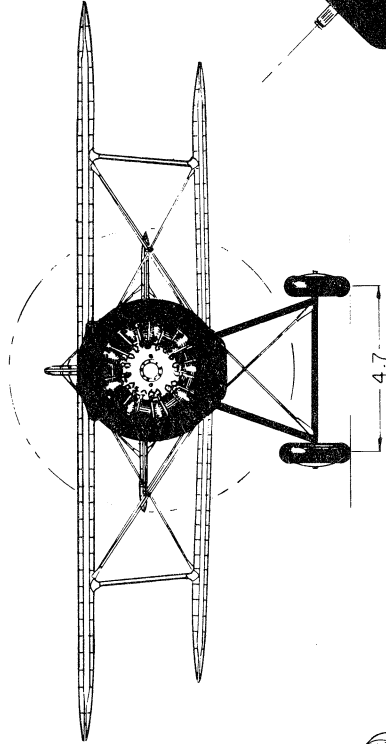
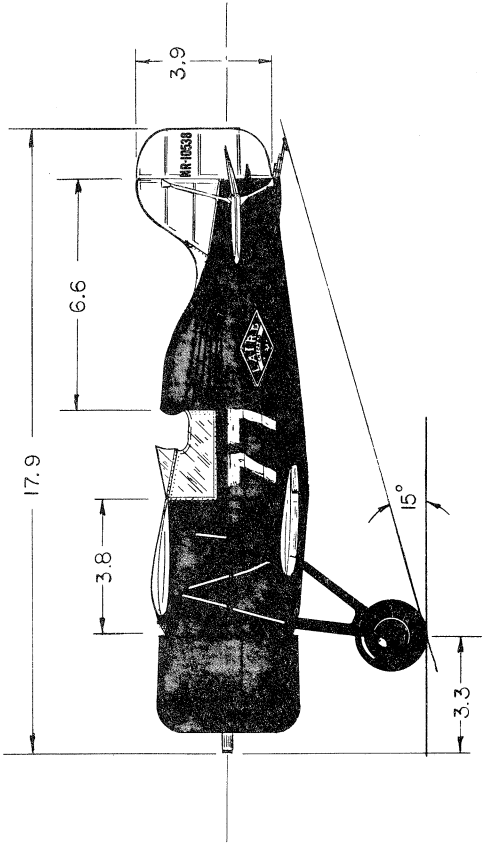
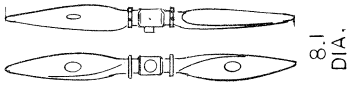
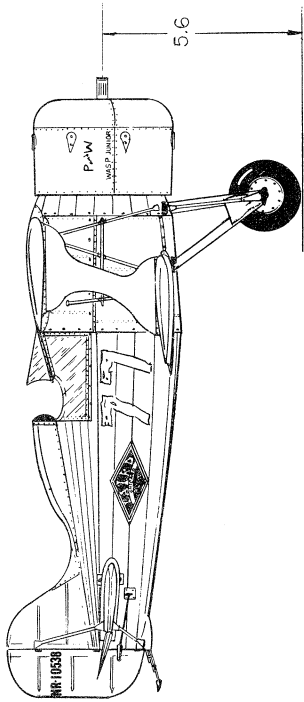
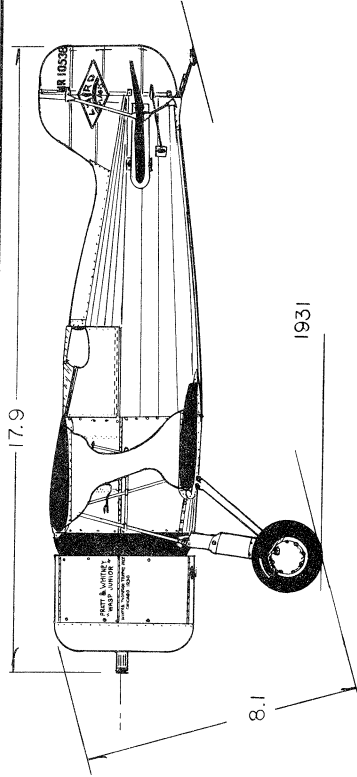
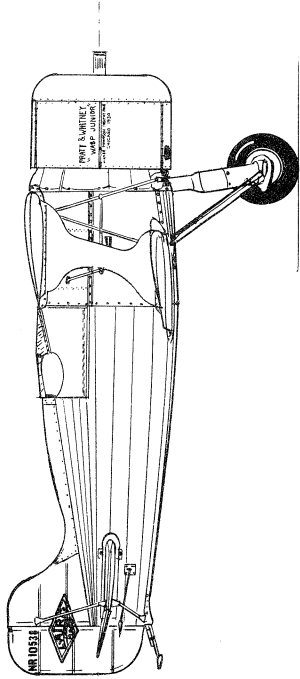


A B C D E F G H I

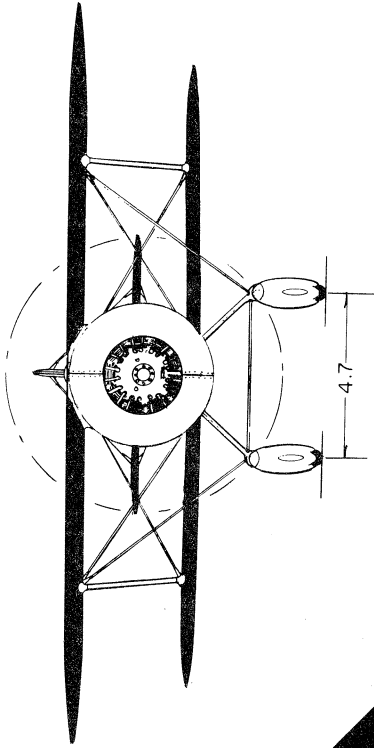


L. A. IRD  
LC DW 300  
"SOLUTION"

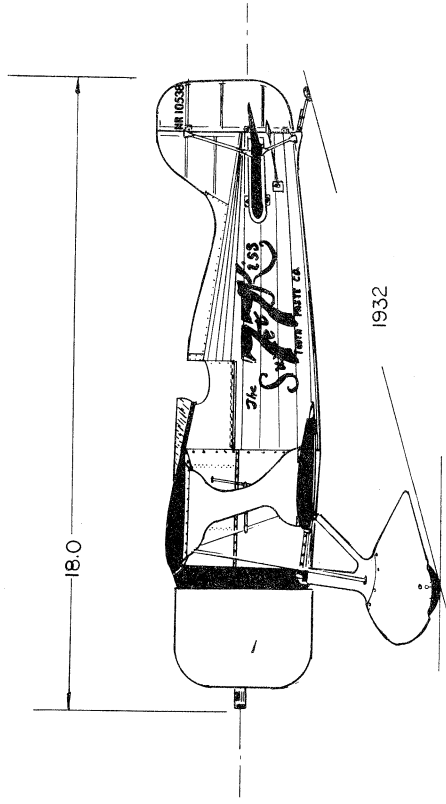
© 1967  
RS. HIRSCH



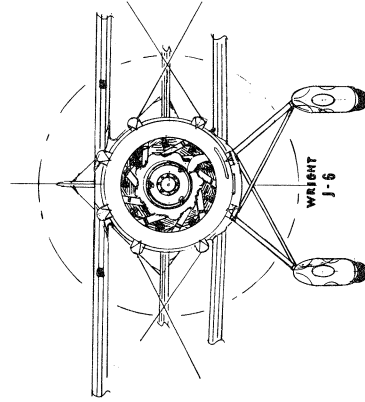
1931



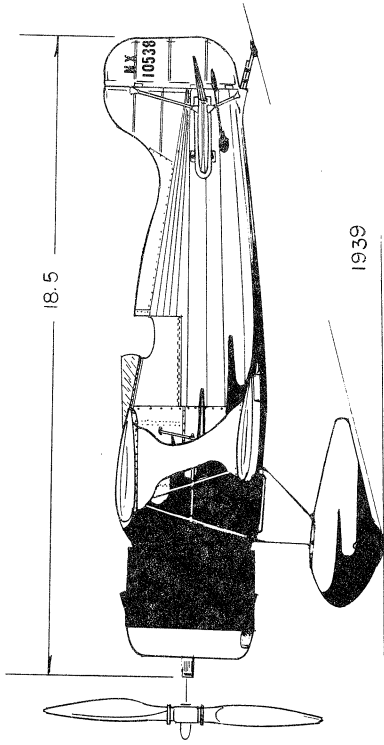
4.7



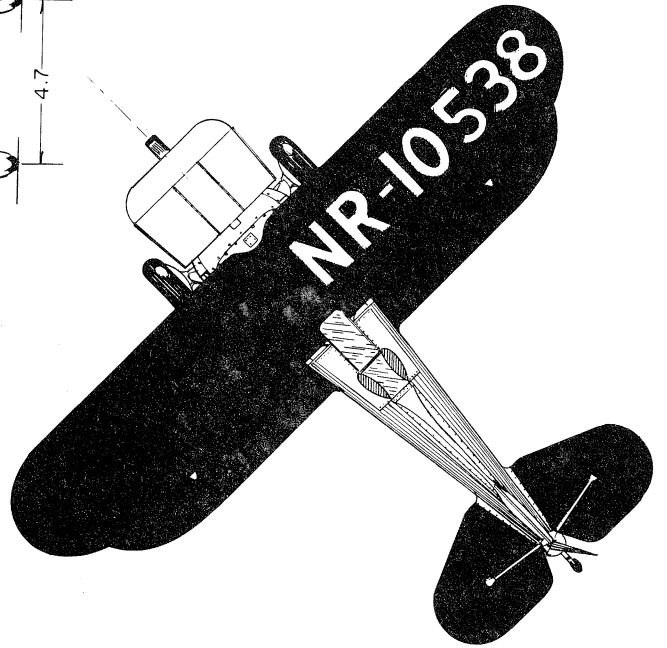
1932



WRIGHT  
J-6

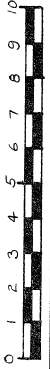


1939

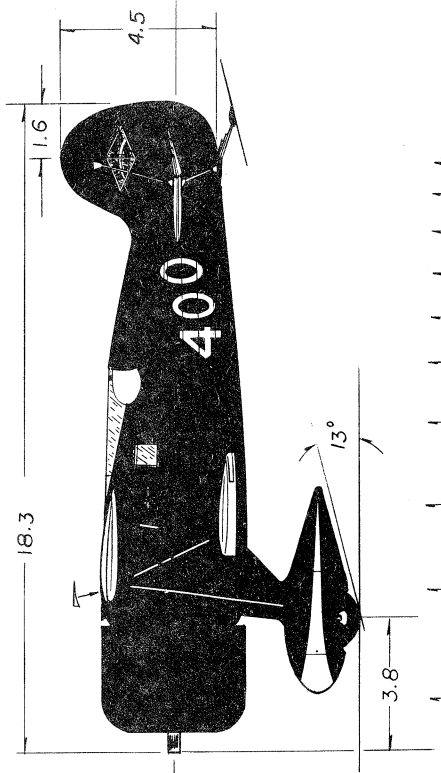
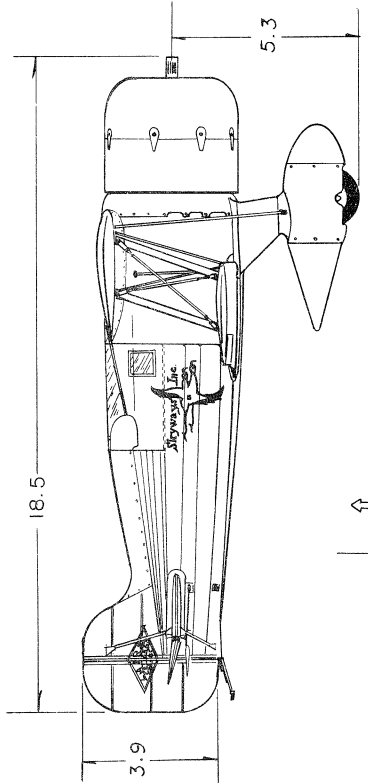


NR-10538

1931 +

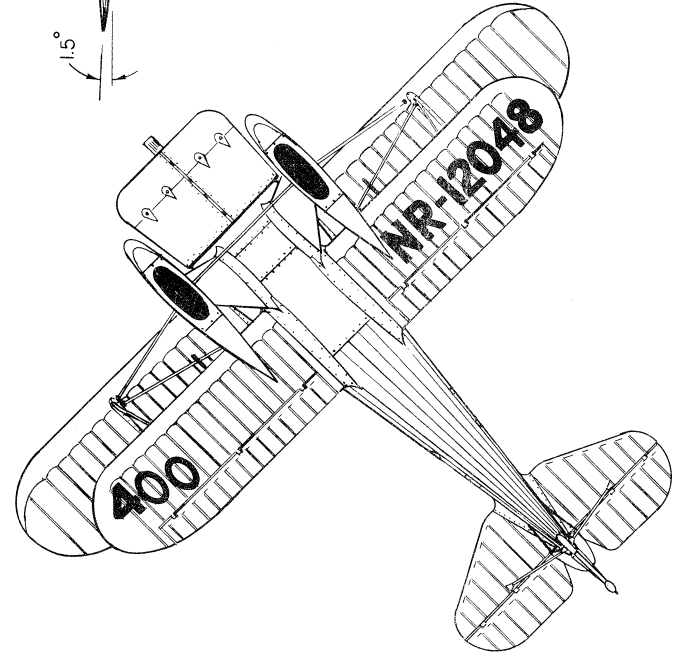
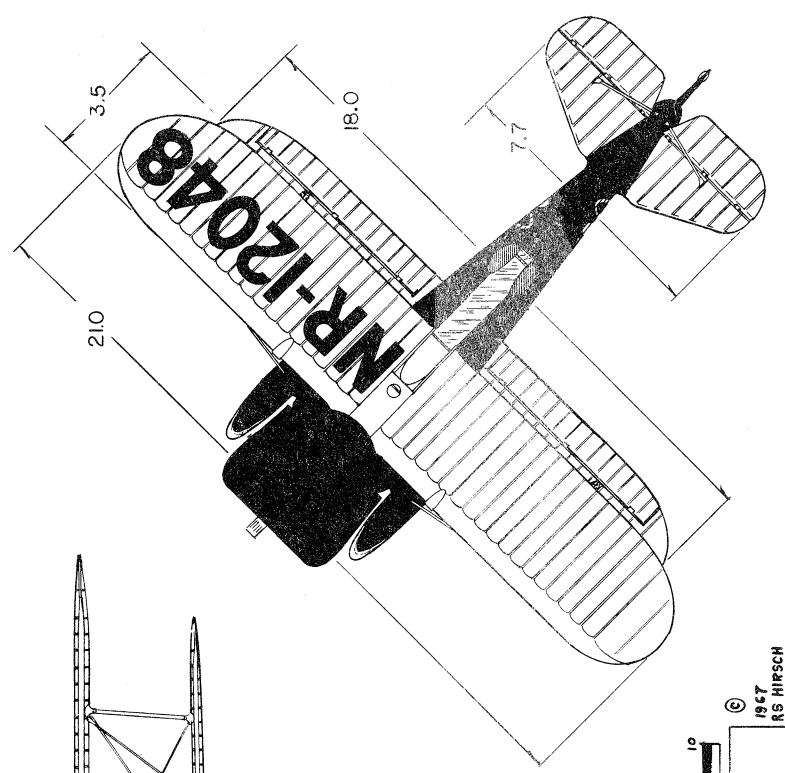
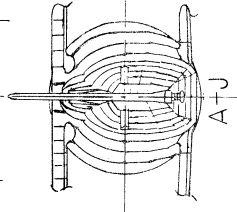
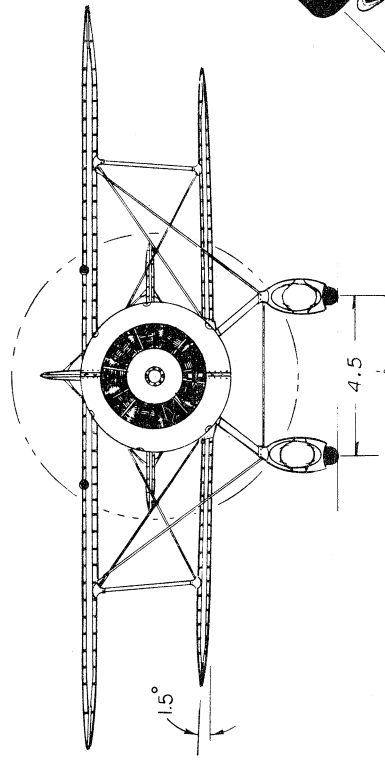
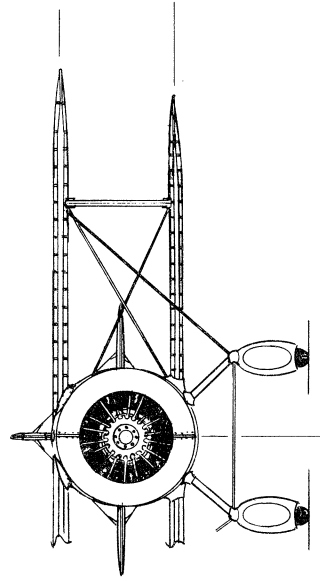


© 1967 R.S. HIRSCH  
Laird SOLUTION LC-DW MODS. 300



↑ ↑ ↑ ↑ ↑ ↑ ↑ ↑ ↑ ↑

DIA 8.3  
FOR DIRECT DRIVE  
S.O  
GEARED ENG.

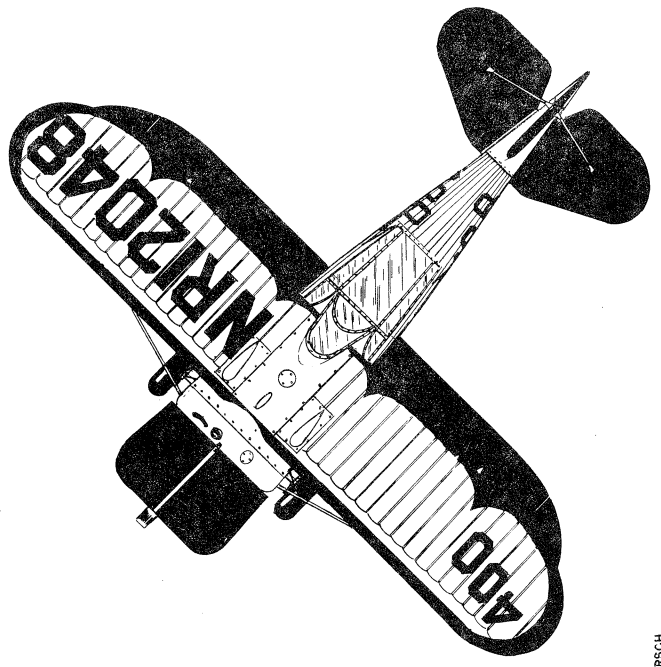
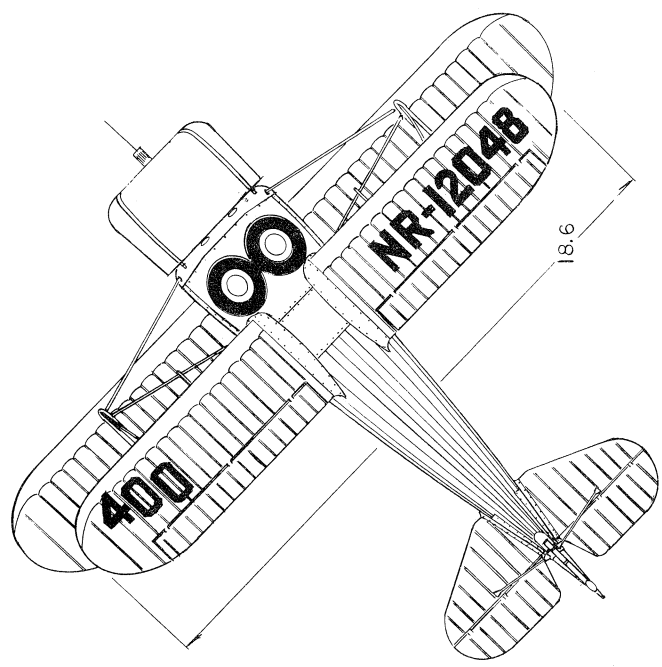
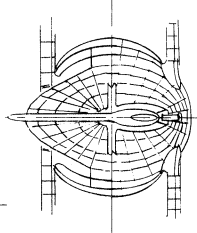
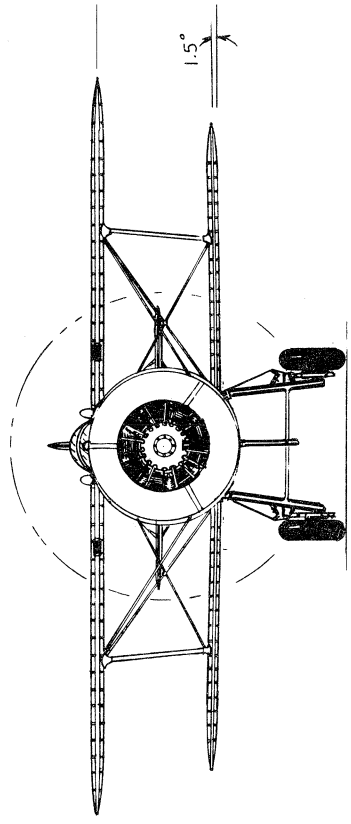
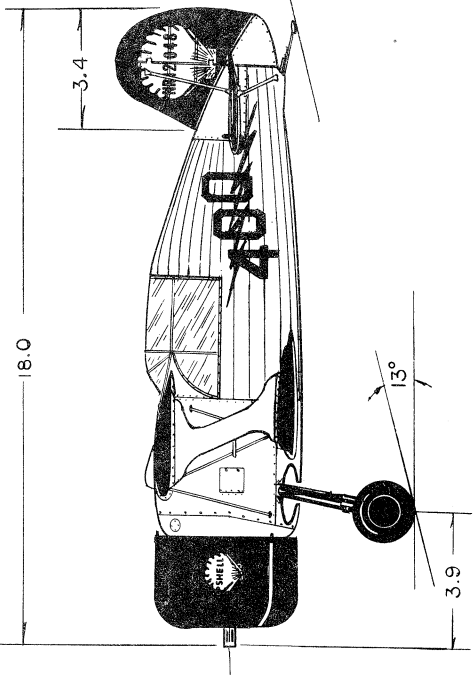
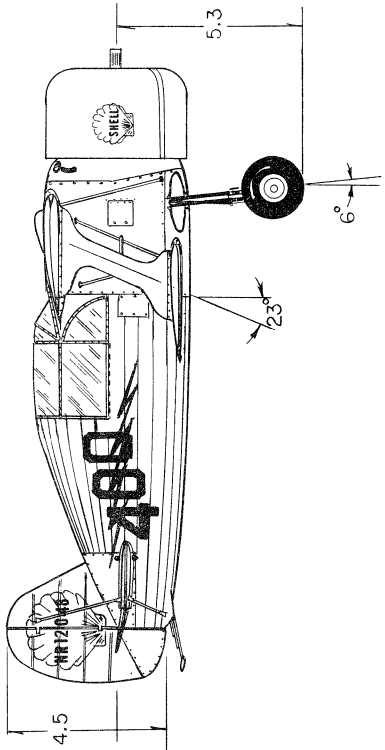


1931



©  
LALIP  
R6 HIRSCH  
LC DW 500  
SUPER SOLUTION

A B C D E F G H



1932  
 LAIRD  
 LC DW 500  
 DOOLITTLE'S SHELL

© 1967  
 P.S. HIRSCH