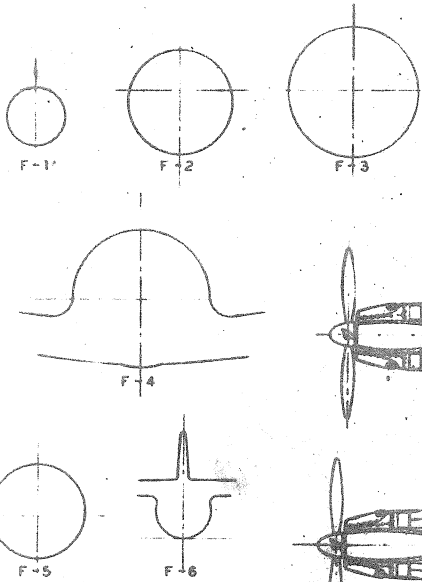


FUSELAGE CROSS SECTIONS



# CONSTELLATION

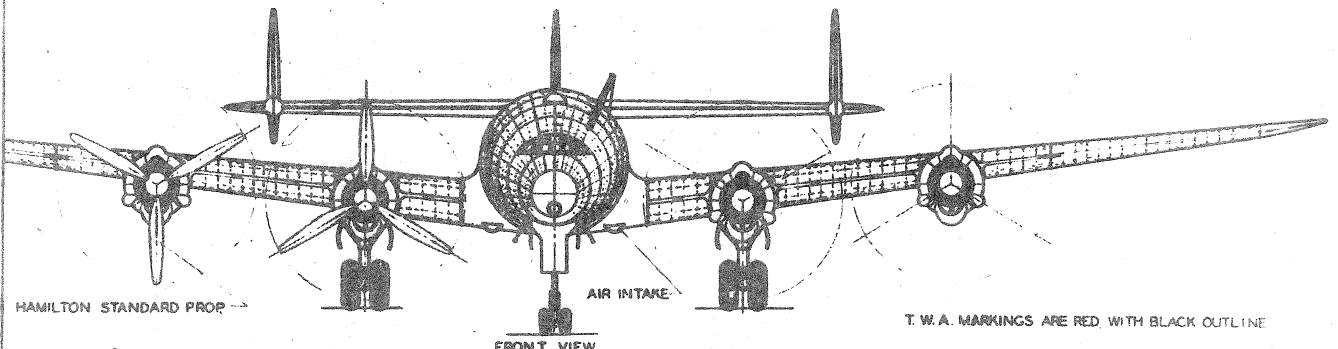
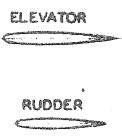
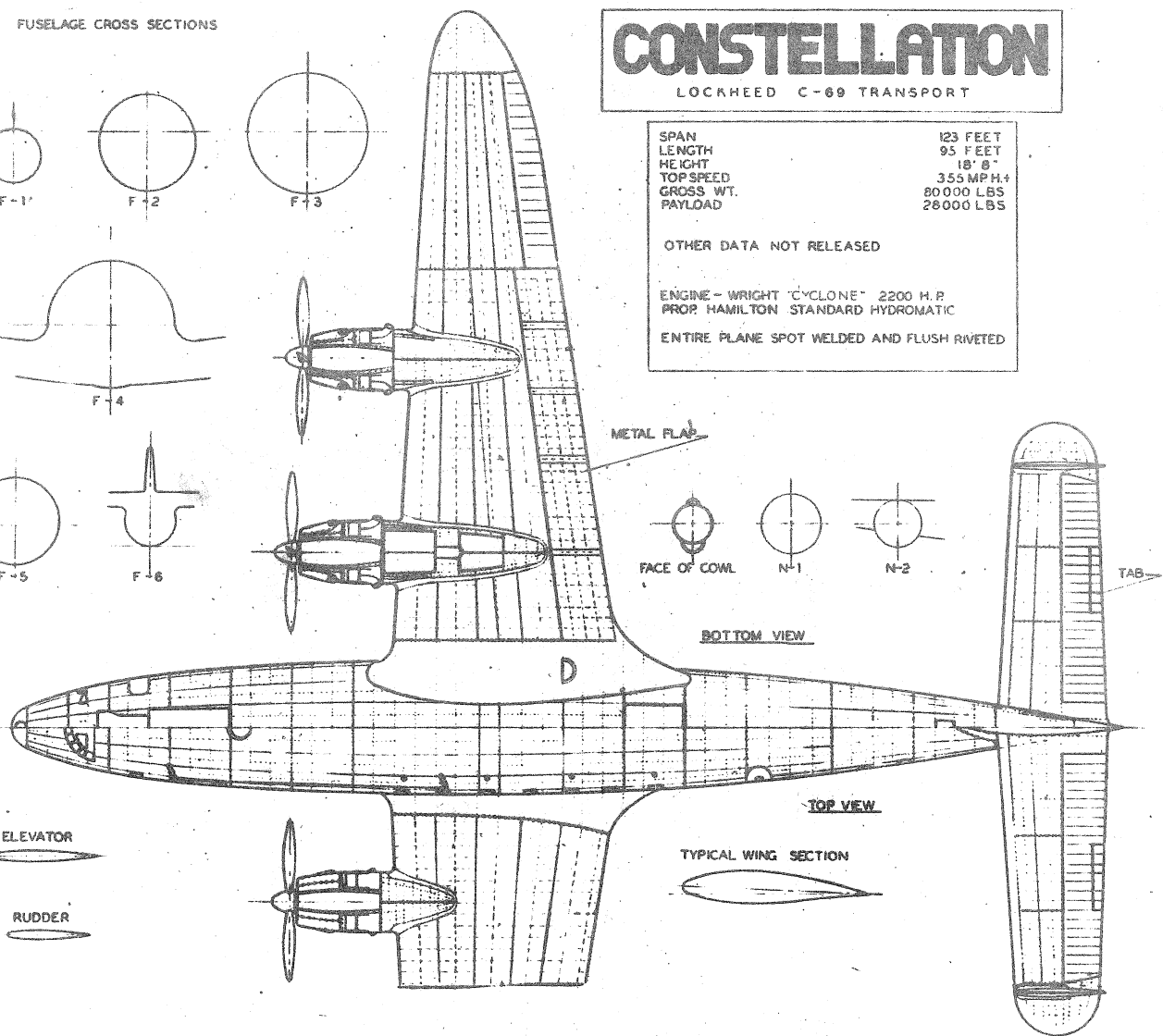
LOCKHEED C-69 TRANSPORT

SPAN	123 FEET
LENGTH	95 FEET
HEIGHT	18' 8"
TOP SPEED	355 MPH+
GROSS WT.	80 000 LBS
PAYLOAD	28 000 LBS

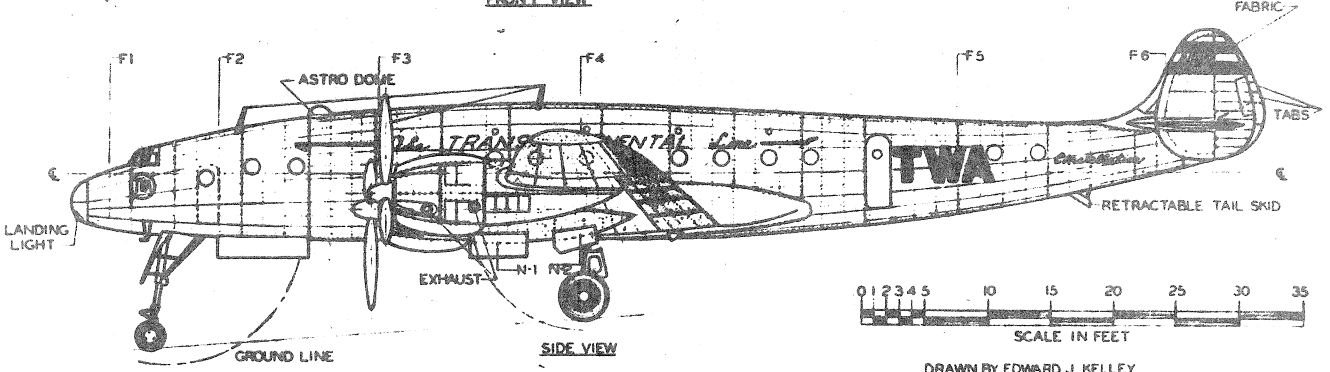
OTHER DATA NOT RELEASED

ENGINE - WRIGHT "CYCLONE" 2200 H.P.  
PROP. HAMILTON STANDARD HYDROMATIC

ENTIRE PLANE SPOT WELDED AND FLUSH RIVETED



T. W. A. MARKINGS ARE RED WITH BLACK OUTLINE



DRAWN BY EDWARD J. KELLEY