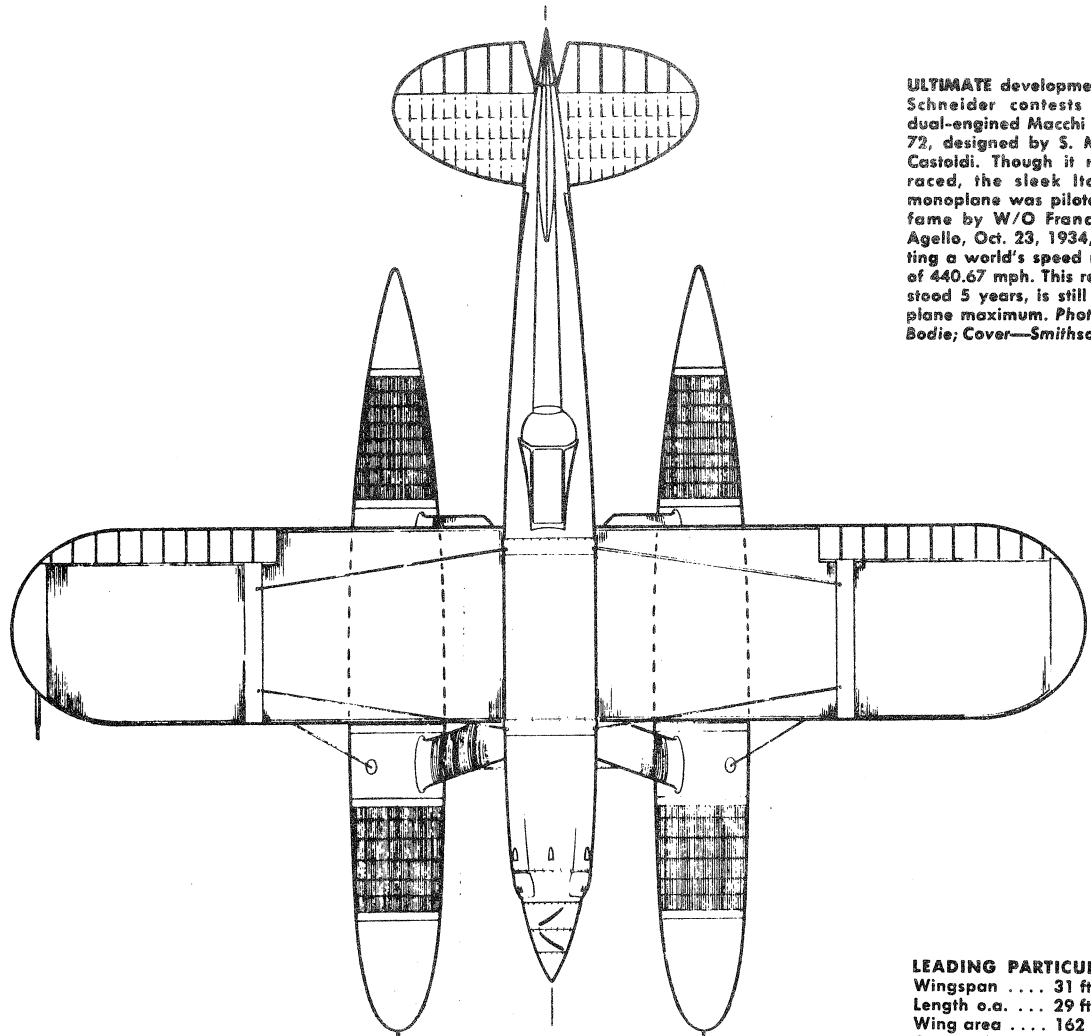
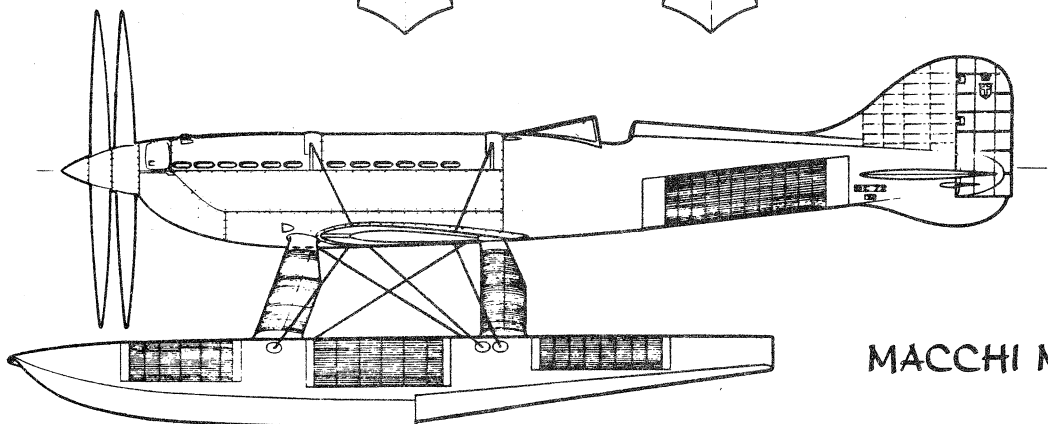
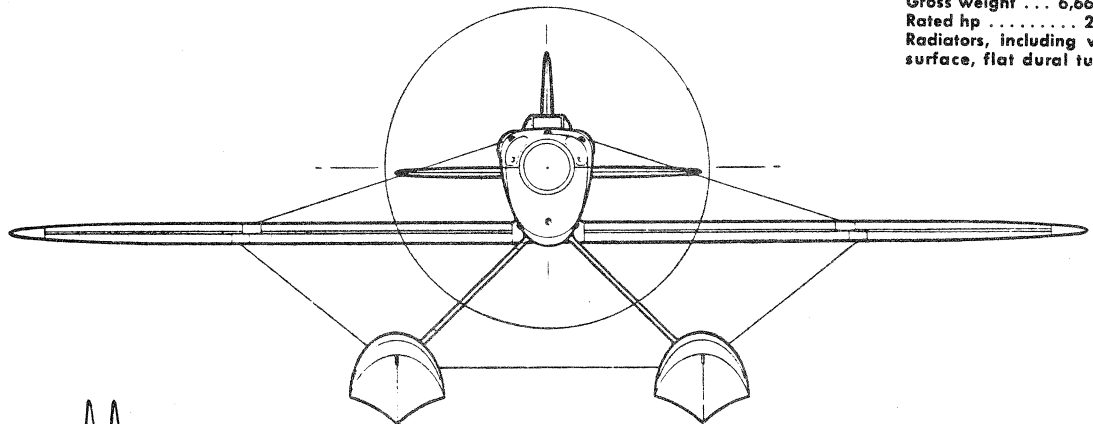


ULTIMATE development of Schneider contests was dual-engined Macchi M.C. 72, designed by S. Mario Castoldi. Though it never raced, the sleek Italian monoplane was piloted to fame by W/O Francesco Agello, Oct. 23, 1934, setting a world's speed mark of 440.67 mph. This record stood 5 years, is still sea-plane maximum. Photos—Bodie; Cover—Smithsonian



LEADING PARTICULARS:
 Wingspan 31 ft. 9 in.
 Length o.a. . . . 29 ft. 9 in.
 Wing area 162 sq. ft.
 Gross weight . . . 6,667 lb.
 Rated hp 2,500
 Radiators, including wing surface, flat dural tubes.



MACCHI M.C. 72