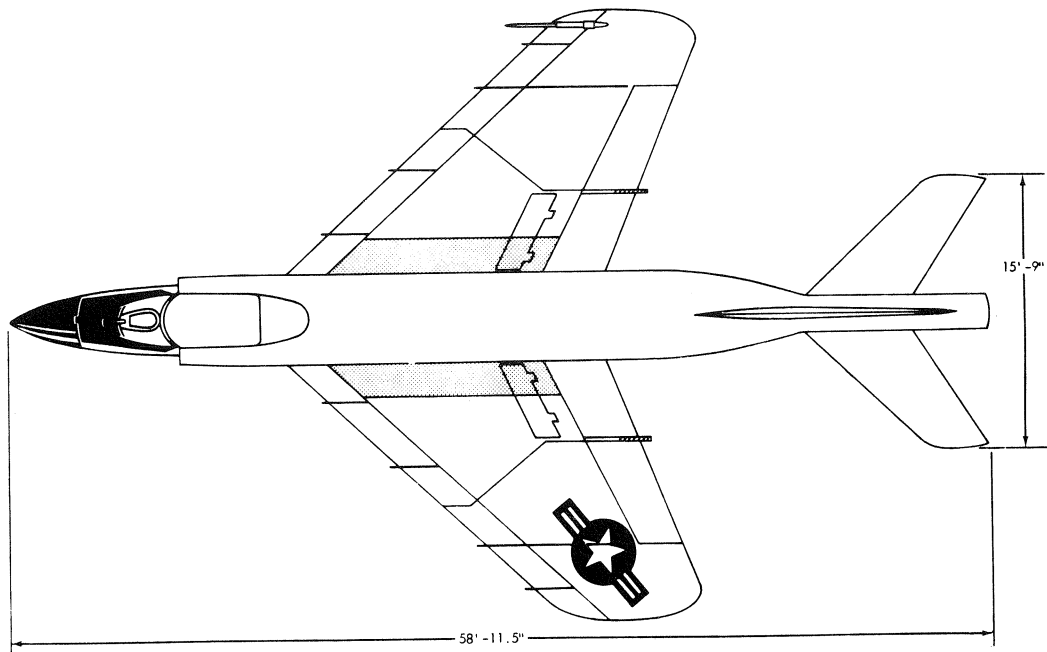


NOTE

① EFFECTIVE BLOCK L AND UP "BEAVER TAIL" HAS BEEN SHORTENED BY APPROXIMATELY TWO FEET.



MH25-1000C

Figure 1-2. General Arrangement