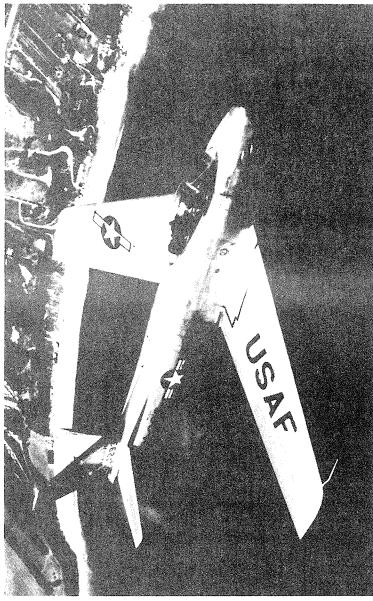


F-86F Sabre Jet

ANOTHER PRODUCT OF NORTH AMERICAN AVIATION, INC.

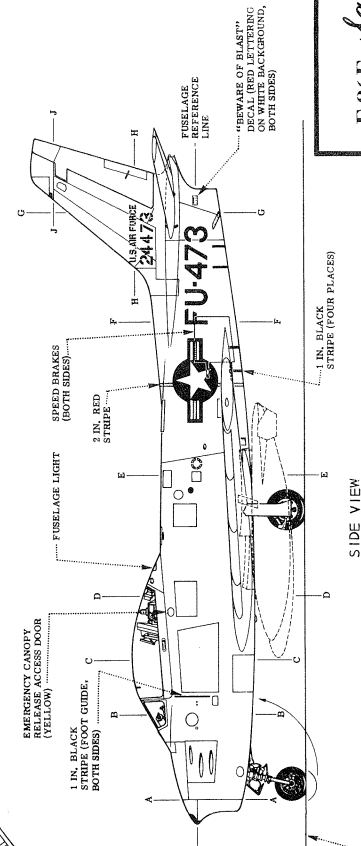
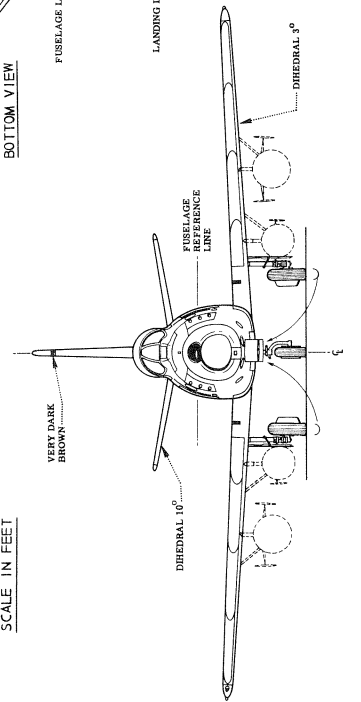
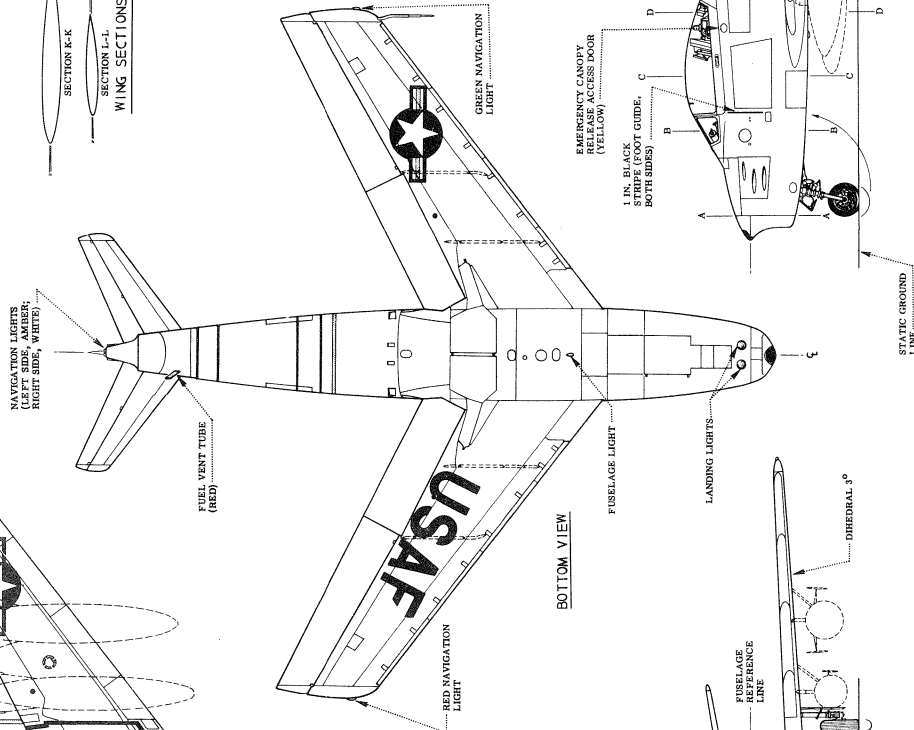
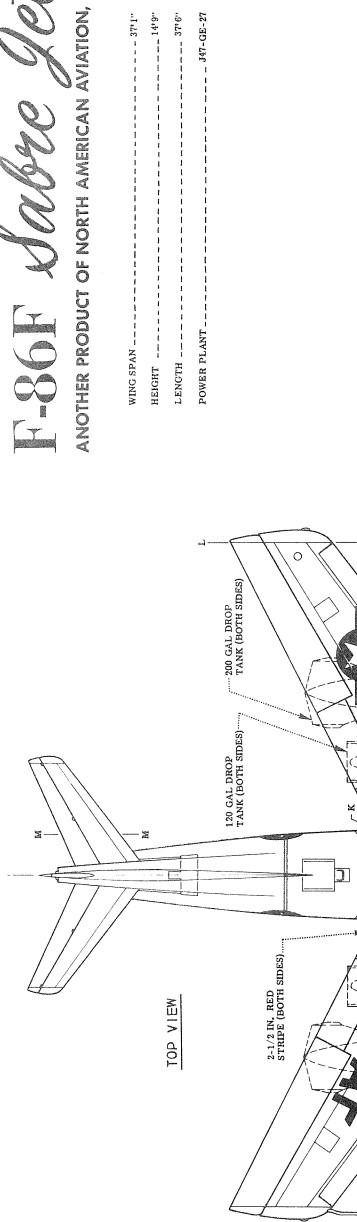
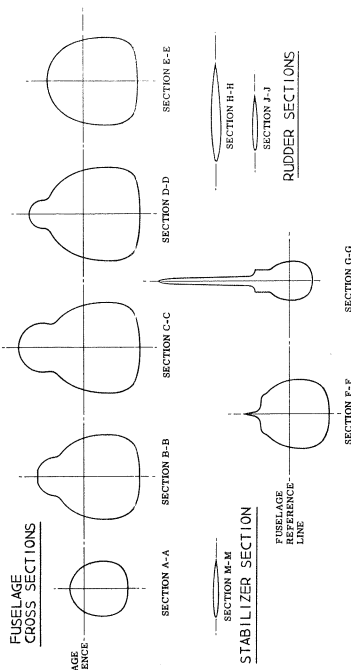
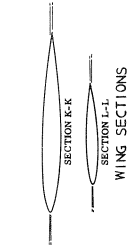


U.S. AIR FORCE F-86F SABRE

NORTH AMERICAN AVIATION, INC.

Following the F-86A and the F-86E in the evolution of the F-86 Sabre jet series is the F-86F Day Fighter. Whereas the F-86A and F-86E were designed for high speed, high altitude, high maneuverability, and high performance, the F-86F is designed for high speed, high altitude, high maneuverability, and high performance throughout the speed range of the airplane. In addition, the horizontal stabilizer and elevator are interconnected and controlled as a single unit, with the result that the entire assembly serves as one primary control surface. Incorporating a more powerful engine and refining the F-86E design so that external fuel tanks as well as external stores may be carried, the F-86F is designed to provide the pilot with the same air superiority capabilities. Similar to the F-86E in external appearance, the F-86F airplanes may well play a lead role in air warfare for years.

WING SPAN 37'1"
 HEIGHT 14'9"
 LENGTH 37'6"
 POWER PLANT J47-G5-27



COLORING NOTES
 ENTIRE AIRPLANE POLISHED ALUMINUM
 ALL LETTERING AND MARKINGS (UNLESS OTHERWISE NOTED) BLACK
 NATIONAL INSIGNIA RED, WHITE AND BLUE

F-86F Sabre Jet
 U.S. AIR FORCE
 JET FIGHTER
 SCALE NOTED
 DATE: JULY, 1959
 PREPARED BY NORTH AMERICAN AVIATION, INC.

NORTH AMERICAN HAS BUILT MORE AIRPLANES THAN ANY OTHER COMPANY IN THE WORLD