

ANOTHER PRODUCT OF  
NORTH AMERICAN AVIATION, INC.

# OV-10A

## MULTIMISSION AIRPLANE

POWER PLANT ..... TWO YT 76-G-6 ENGINES, TURBOPROP  
WING SPAN ..... 30 FEET 3 INCH  
LENGTH (OVERALL) ..... 40 FEET  
HEIGHT (STATIC) ..... 15 FEET 1 INCH  
WING EXTENDED 2/10/67 MA 66H-65-4

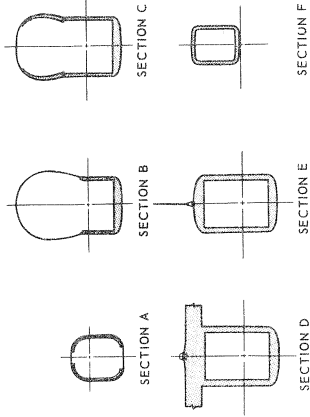


### OV-10A

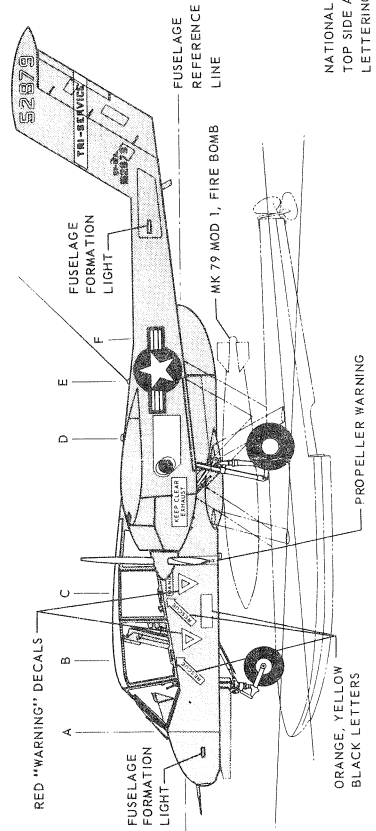
This twin-engine, two-place airplane is a multipurpose vehicle to be used in both counterinsurgent and civil action operations.

The OV-10A is designed to "live with the roops". The amphibious version allows operations from sheltered waters. The 111 cubic foot cargo bay has a 3200 pound capacity and can accommodate five paratroopers, six combat-equipped infantry men, or two litter patients and an attendant.

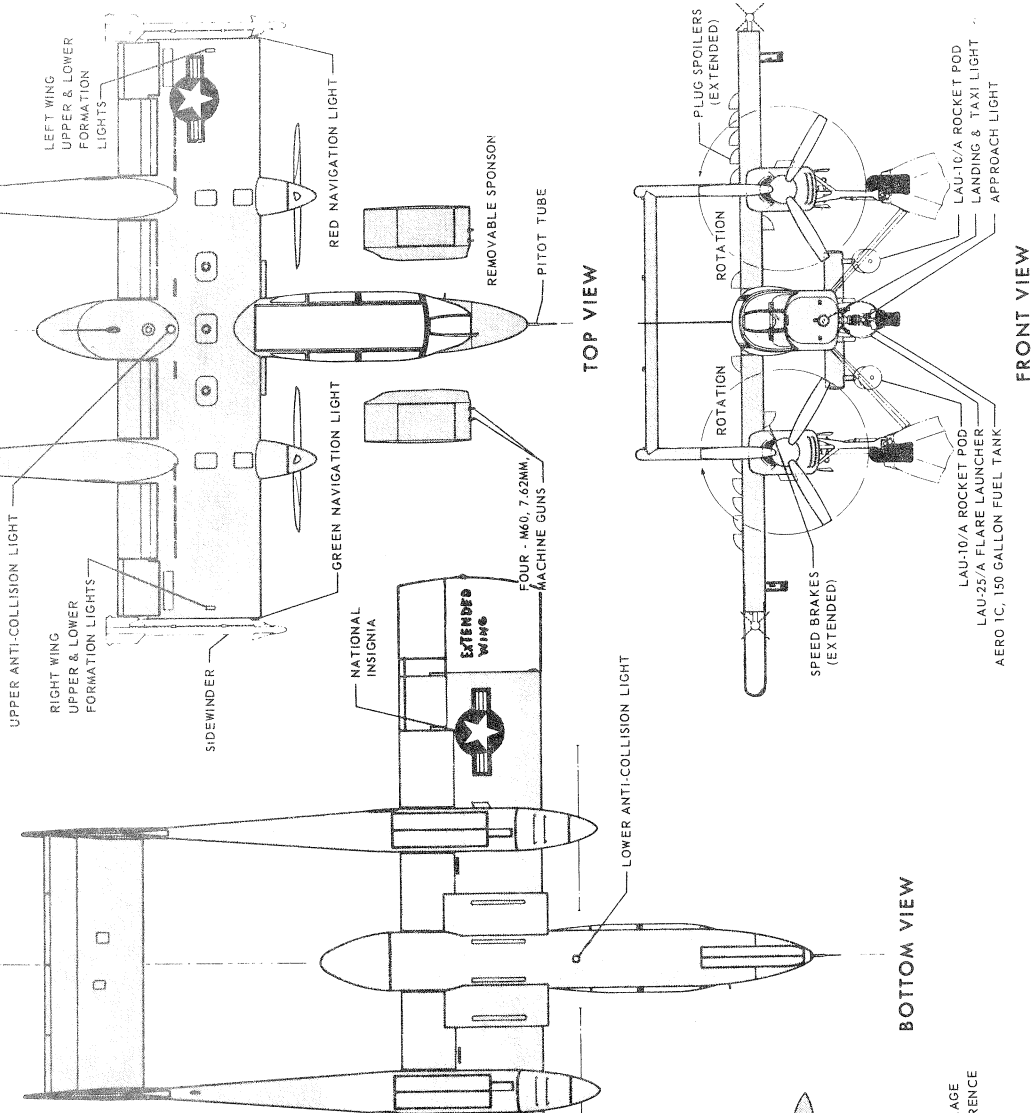
Five fuselage store stations (all forward firing), two optional wing tip missile stations, and four fixed fuselage guns provide for the full range of counterinsurgency mission capability.



### FUSELAGE CROSS SECTIONS



LEFT SIDE VIEW  
(RIGHT SIDE SIMILAR)



### FRONT VIEW

### COLORING NOTES

NATIONAL INSIGNIA ..... RED, WHITE, AND BLUE  
TOP SIDE AND UNDERSIDE ..... FIELD GREEN  
LETTERING (UNLESS OTHERWISE SPECIFIED) ..... WHITE

0 1 2 3 4 5  
SCALE IN FEET

## OV-10A MULTIMISSION AIRPLANE

SCALE: NOTED DATE: 8 65

PREPARED BY NORTH AMERICAN AVIATION, INC.  
COLUMBUS DIVISION