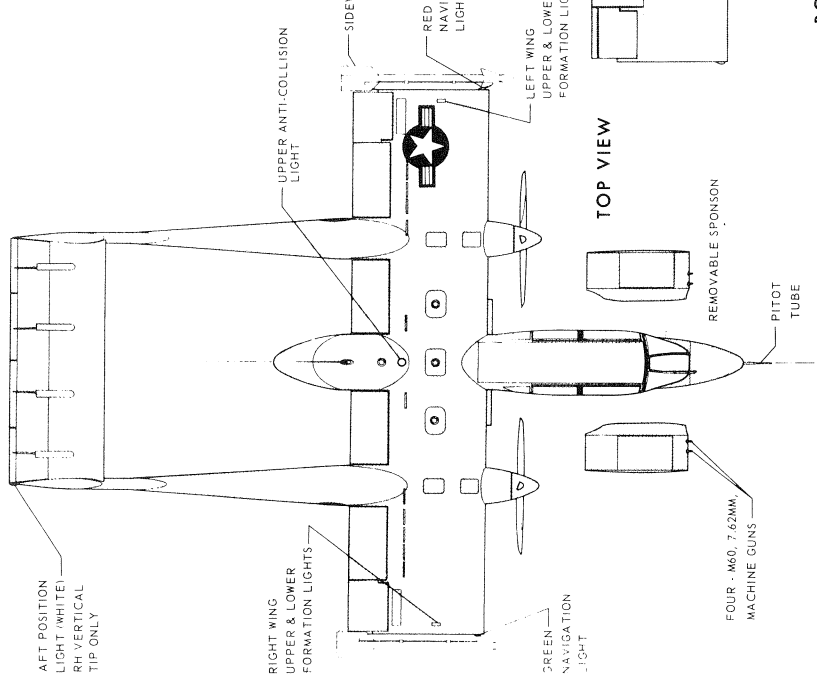


ANOTHER PRODUCT OF NORTH AMERICAN AVIATION, INC.

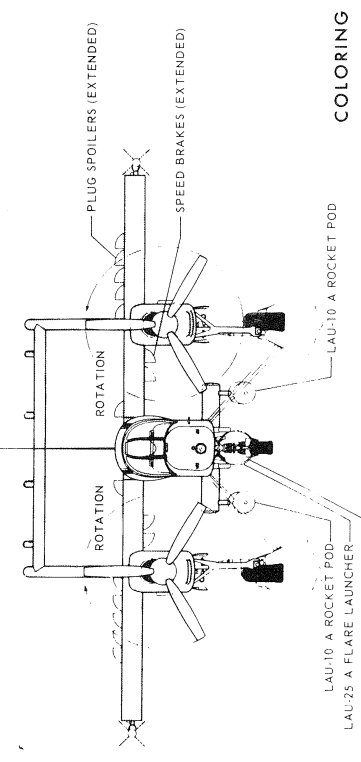
OV-10A LIGHT ARMED RECONNAISSANCE AIRPLANE

POWER PLANT TWO YT 76-G-6 ENGINES, TURBOPROP
WING SPAN 30 FEET 3 INCH
LENGTH-OVERALL 40 FEET
HEIGHT (STATIC) 15 FEET 1 INCH



TOP VIEW

BOTTOM VIEW



FRONT VIEW

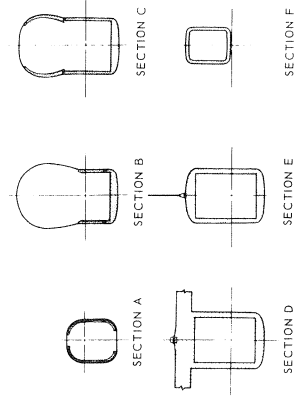


OV-10A

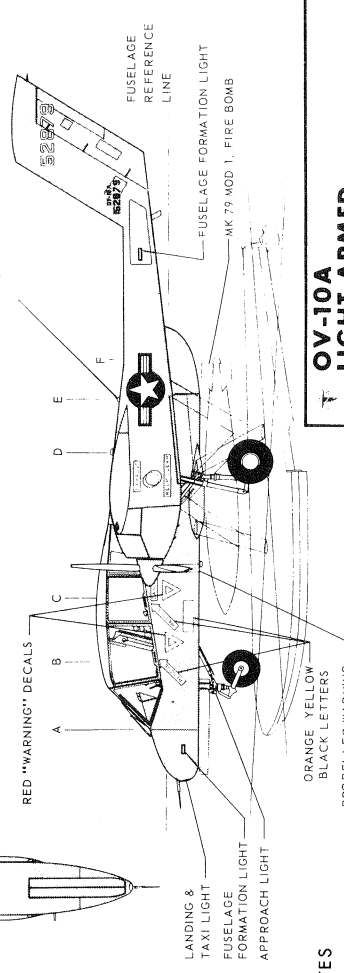
This twin-engine, two-place airplane is a multipurpose vehicle to be used in both counterinsurgent and civil action operations.

The OV-10A is designed to "live with the troops". The amphibious version allows operations from sheltered waters. The 111 cubic foot cargo bay has a 3200 pound capacity and can accommodate five parachuters, six combat-equipped infantry men, or two litter patients and an attendant.

Five fuselage store stations (all forward firing), two optional wing tip missile stations, and four fixed fuselage guns provide for the full range of counterinsurgency mission capability.



FUSELAGE CROSS SECTIONS



LEFT SIDE VIEW
(RIGHT SIDE SIMILAR)

COLORING NOTES

NATIONAL INSIGNIA RED, WHITE, AND BLUE
TOP SIDE AND UNDER SIDE FIELD GREEN
LETTERING (UNLESS OTHERWISE SPECIFIED) WHITE

OV-10A LIGHT ARMED RECONNAISSANCE AIRPLANE

SCALE: NOTED DATE: 2 65

PREPARED BY: NORTH AMERICAN AVIATION, INC.
COLUMBUS DIVISION

0 1 2 3 4 5
SCALE IN FEET