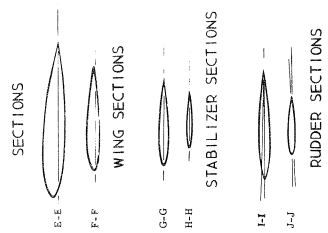
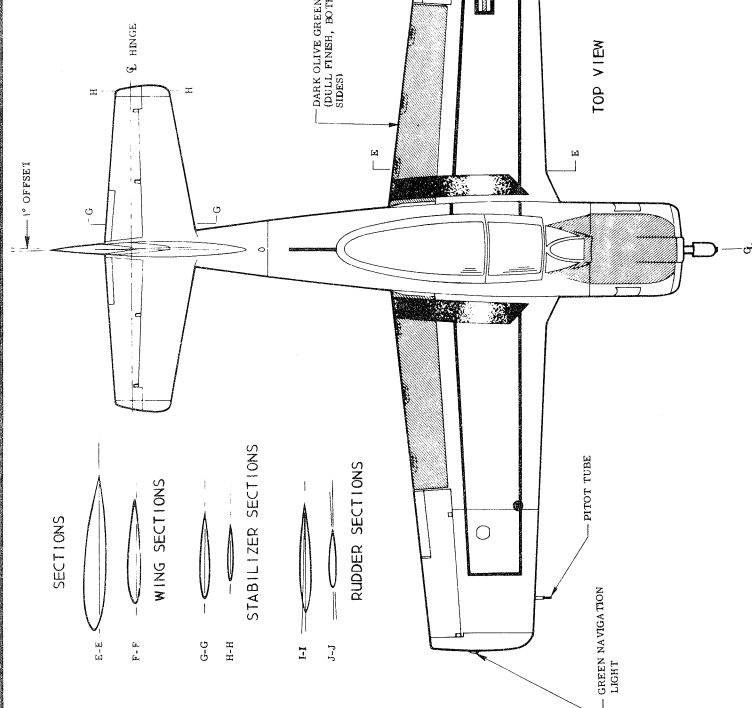


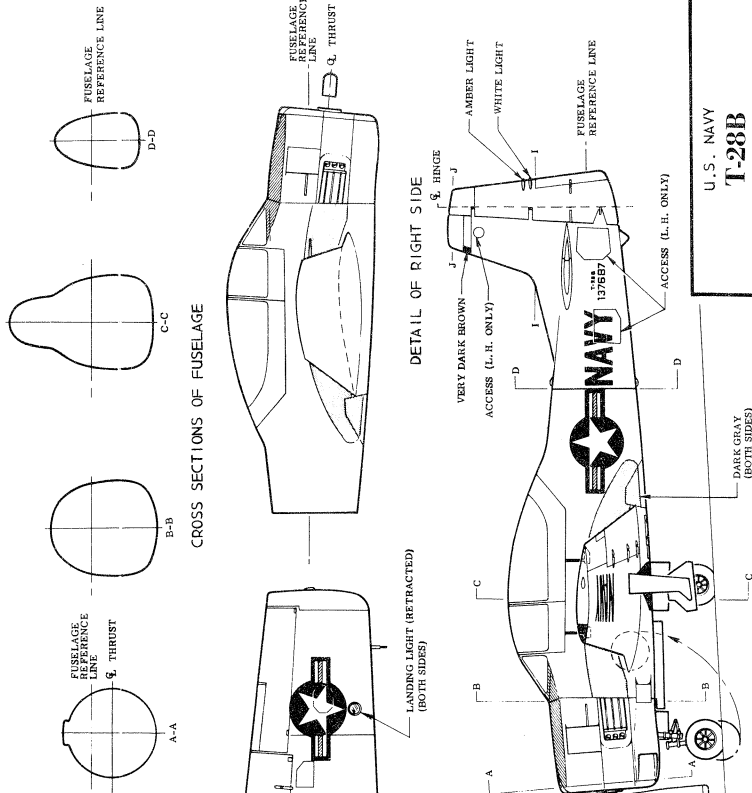
T-28B

ANOTHER PRODUCT OF
NORTH AMERICAN AVIATION, INC.

- WING SPAN..... 40' 7-1/4"
- LENGTH..... 32' 11"
- WING AREA..... 12' 8-1/2"
- POWER PLANT..... 271.1 SQUARE FEET
- WRIGHT 9 CYL. R-1820-86

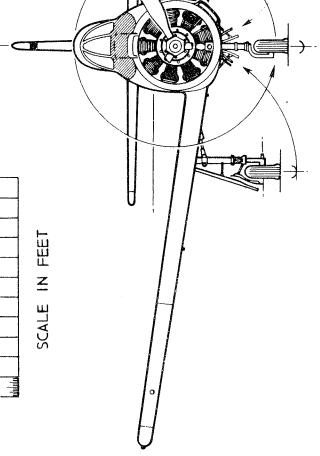
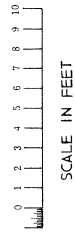


FOLLOWING A POLICY ESTABLISHED DURING WORLD WAR II FOR STANDARDIZATION OF TRAINER-TYPE AIRPLANES FOR ALL MILITARY SERVICES, THE U.S. NAVY HAS ORDERED ITS OWN VERSION OF THE AIR FORCE'S NORTH AMERICAN T-28 ADVANCED TRAINER, KNOWN AS THE T-28B, THE T-28B HAS BEEN MODIFIED TO ACCOMMODATE THE WRIGHT R-1820-86 9-CYLINDER ENGINE. ITS CHIEF DIFFERENCE IS THE MODIFICATION TO ACCOMMODATE MORE POWERFUL ENGINE--THE WRIGHT R-1820 RATED AT 1,425 HORSEPOWER IN PLACE OF THE 800-HORSE-POWER WRIGHT R-1820-40. THIS GIVES THE NAVY TRAINER A TOP SPEED OF 343 MILES PER HOUR. SERVICE CREST IS 12,000 FEET. THE T-28B HAS LAUNDED THE SWIFT TRAINERS MINUTE. EXPERIENCED PILOTS WHO HAVE FLOWN THE T-28B HAVE LAUNDED THE SWIFT TRAINERS PERFORMANCE AS COMPARABLE TO THAT OF JET AIRCRAFT. THE EASE OF ACCESSIBILITY MAINTENANCE IS MAINTAINED IN THE NAVY VERSION OF THE TRAINER.



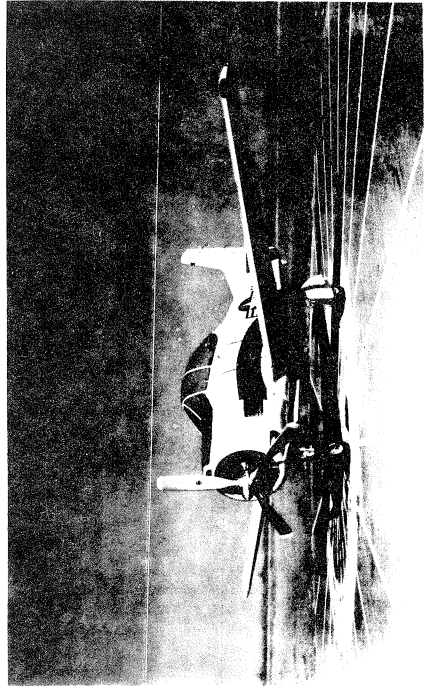
COLOR NOTES

- ENTIRE PLANE.....CHROME YELLOW
- ANTILOGARE PANEL..... DARK OLIVE GREEN (DULL FINISH)
- ALL LETTERING AND MARKINGS.....BLACK (UNLESS OTHERWISE INDICATED)
- NATIONAL INSIGNIA..... RED, WHITE, AND BLUE



FRONT VIEW

SIDE VIEW



U.S. NAVY
T-28B
TRAINER
DESIGNED AND BUILT BY
NORTH AMERICAN AVIATION, INC.
SCALE: NOTED DATE: MARCH 1954
PREPARED BY NORTH AMERICAN AVIATION, INC.

NORTH AMERICAN AVIATION HAS BUILT MORE AIRPLANES THAN ANY OTHER COMPANY IN THE WORLD