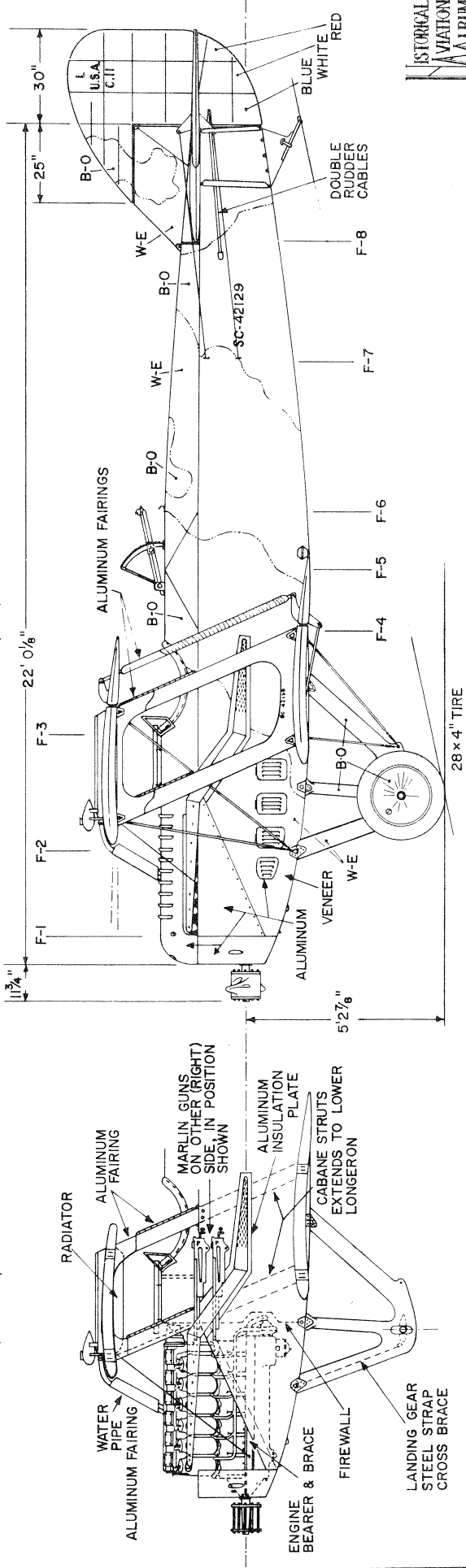
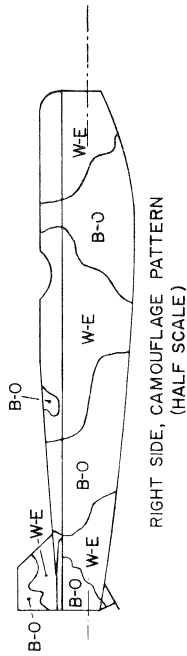


PROPELLER 'TYPICAL'  
OTHER TYPES USED



INTERPLANE STRUTS SAME COLOR AS  
CONTACT AREA OF LOWER WING.  
FOLLOWING CAMOUFLAGE PATTERN:  
ALUMINUM FAIRINGS LEFT NATURAL.

SERIAL NUMBER ASSIGNMENT  
40013-40029  
42129-42141  
(42130-42133 TO FRANCE, A.E.F.)



PACKARD-LE PERE LUSAC-11  
(1918)

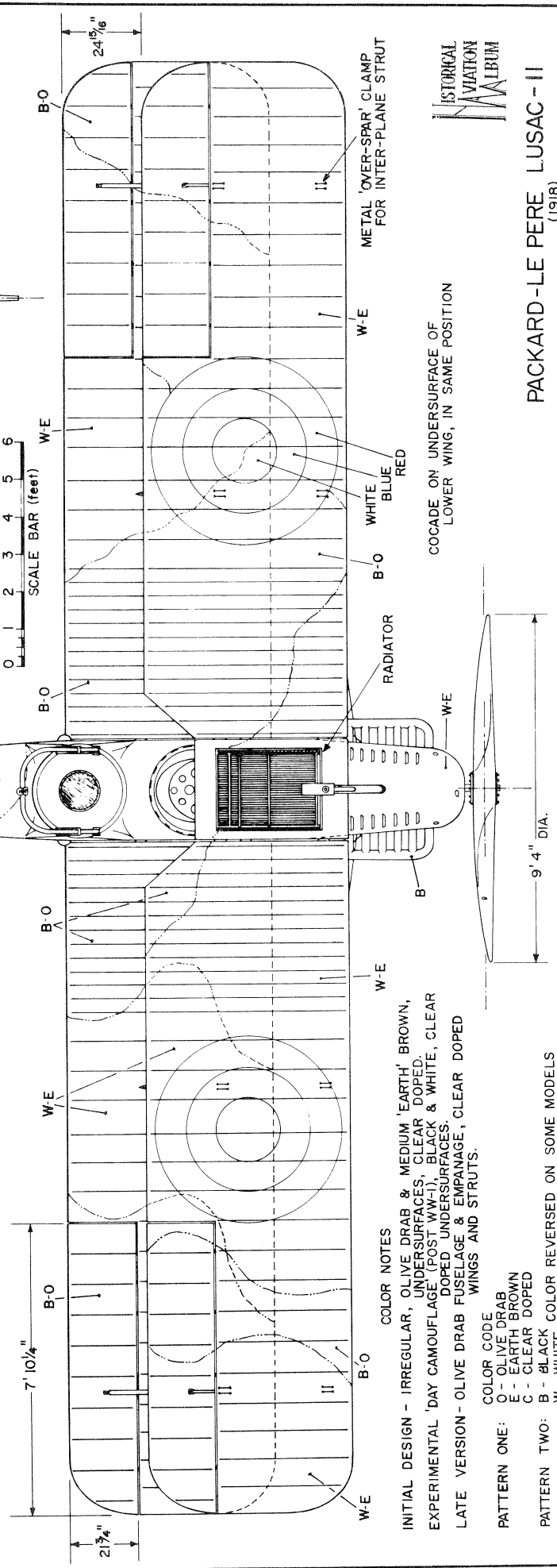
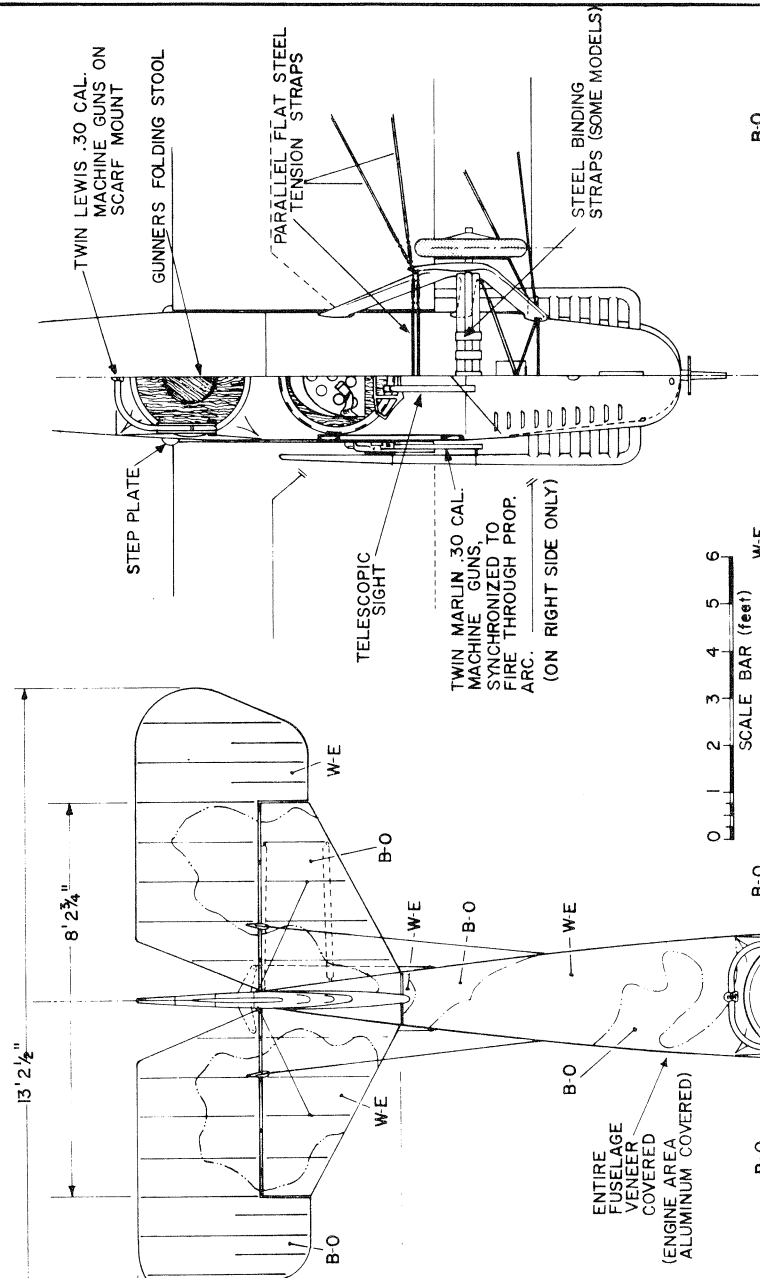
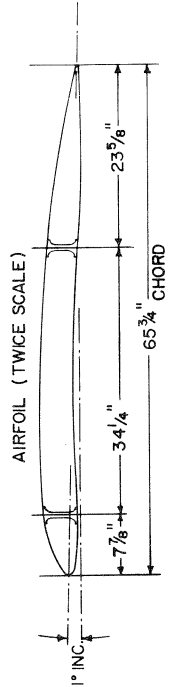
SCALE: 1:48

DRAWN BY: PAUL R. MATT © 1965

PLATE 2

**GENERAL SPECIFICATIONS**

WEIGHT EMPTY 2468 lbs.  
 PILOT & GUNNER 360 " "  
 FUEL & OIL 475 " "  
 ARMAMENT 352 " "  
 GROSS WEIGHT 3655 " "  
 TOP SPEED at SEA LEVEL (1336) 132 mph  
 10,000 ft. 127 " "  
 20,000 ft. 102 " "  
 SERVICE CEILING 23,000 ft.  
 WING AREA (INCL. ALLECONS) 415.6 sq. ft.  
 WING LOADING 84 lbs./sq. ft.  
 ENDURANCE 5 hrs.  
 CRUISING SPEED 112 mph  
 LANDING SPEED 50 "



**COLOR NOTES**  
 INITIAL DESIGN - IRREGULAR, OLIVE DRAB & MEDIUM 'EARTH' BROWN, UNDERSURFACES, CLEAR DOPED.  
 EXPERIMENTAL 'DAY CAMOUFLAGE' (POSTWARY), BLACK & WHITE, CLEAR DOPED UNDERSURFACES.  
 LATE VERSION - OLIVE DRAB FUSELAGE & EMPANNAGE, CLEAR DOPED WINGS AND STRUTS.

**COLOR CODE**  
 O - OLIVE DRAB  
 E - EARTH BROWN  
 C - CLEAR DOPED  
 B - BLACK COLOR REVERSED ON SOME MODELS

**PATTERN ONE:** W - WHITE  
**PATTERN TWO:** B - BLACK  
 BASIC CAMOUFLAGE PATTERN AND OUTLINE DID NOT CHANGE  
 COLOR LINE

COCADE ON UNDERSURFACE OF LOWER WING, IN SAME POSITION



**PACKARD-LE PERE LUSAC-II**  
 (1918)