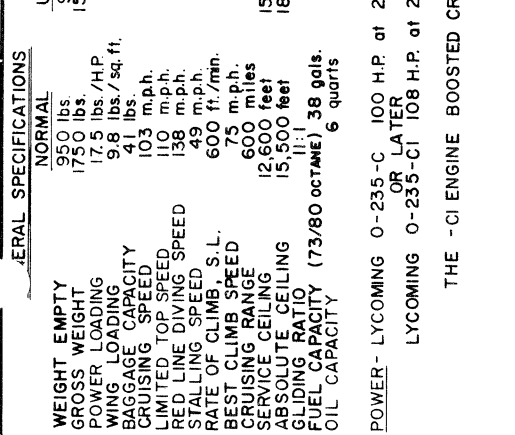
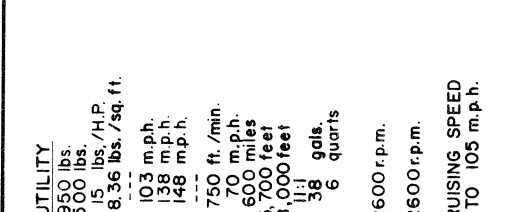
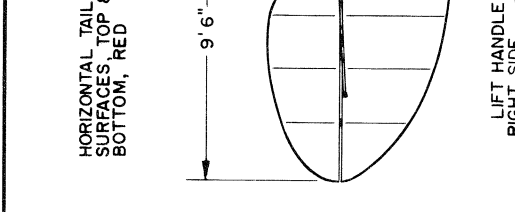
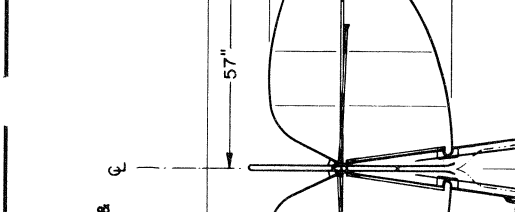
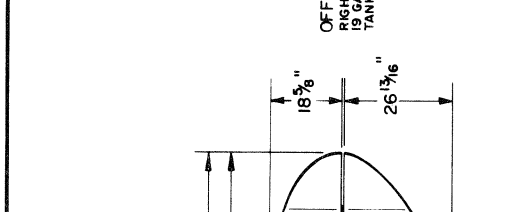
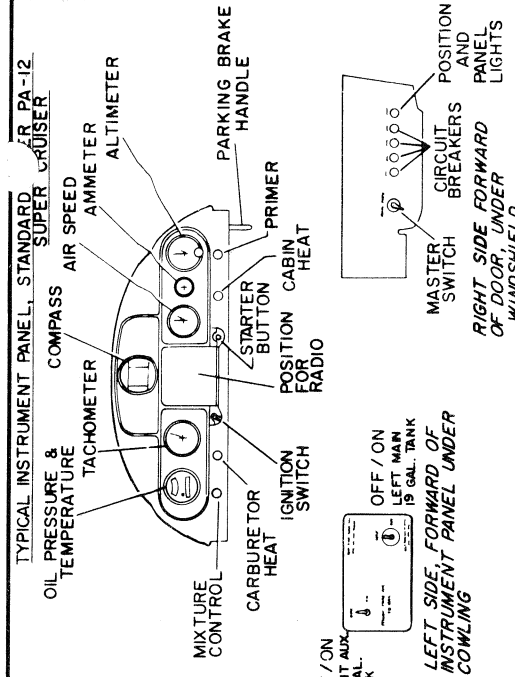


GENERAL SPECIFICATIONS

	NORMAL	UTILITY
WEIGHT EMPTY	950 lbs.	950 lbs.
GROSS WEIGHT	1750 lbs.	1500 lbs.
POWER LOADING	17.5 lbs./H.P.	15 lbs./H.P.
WING LOADING	9.8 lbs./sq. ft.	8.36 lbs./sq. ft.
BAGGAGE CAPACITY	41 lbs.	---
CRUISING SPEED	103 m.p.h.	138 m.p.h.
LIMITED TOP SPEED	110 m.p.h.	148 m.p.h.
RED LINE DIVING SPEED	49 m.p.h.	---
STALLING SPEED	60 ft./min.	750 ft./min.
RATE OF CLIMB, S.L.	75 m.p.h.	70 m.p.h.
BEST CLIMB SPEED	600 miles	600 miles
CRUISING RANGE	12,600 feet	15,700 feet
SERVICE CEILING	15,500 feet	18,000 feet
ABSOLUTE CEILING	11:1	11:1
GLIDING RATIO	11:1	11:1
FUEL CAPACITY (73/80 OCTANE)	38 gals.	38 gals.
OIL CAPACITY	6 quarts	6 quarts

POWER - LYCOMING O-235-C 100 H.P. at 2600 r.p.m.
OR LATER
LYCOMING O-235-C1 108 H.P. at 2600 r.p.m.

THE -C1 ENGINE BOOSTED CRUISING SPEED TO 105 m.p.h.



PLAN VIEW SURFACES, RED
LICENSE NUMBERS, CREAM

UTILITY AIRCRAFT PORTRAYED IS ONE OF THREE PIPER PA-12'S USED BY THE GAME WARDENS, STATE OF MAIN, 1946-50. AIRCRAFT WERE ALSO EQUIPPED WITH SKIS AND PONTOONS. NOSE SPINNERS WERE REMOVED WHEN KOPPERS AEROMATIC PROPELLERS WERE INSTALLED IN 1947.

PIPER PA-12 SUPER CRUISERS BUILT
LOCK HAVEN, PA. S.N. 12-1 to 12-1900,
12-2001 to 12-3625, 3,525 TOTAL
PONCA CITY, OKLA. 12-1901 to 12-2000,
12-3901 to 12-4039, 239 TOTAL

HISTORICAL AVIATION ALBUM

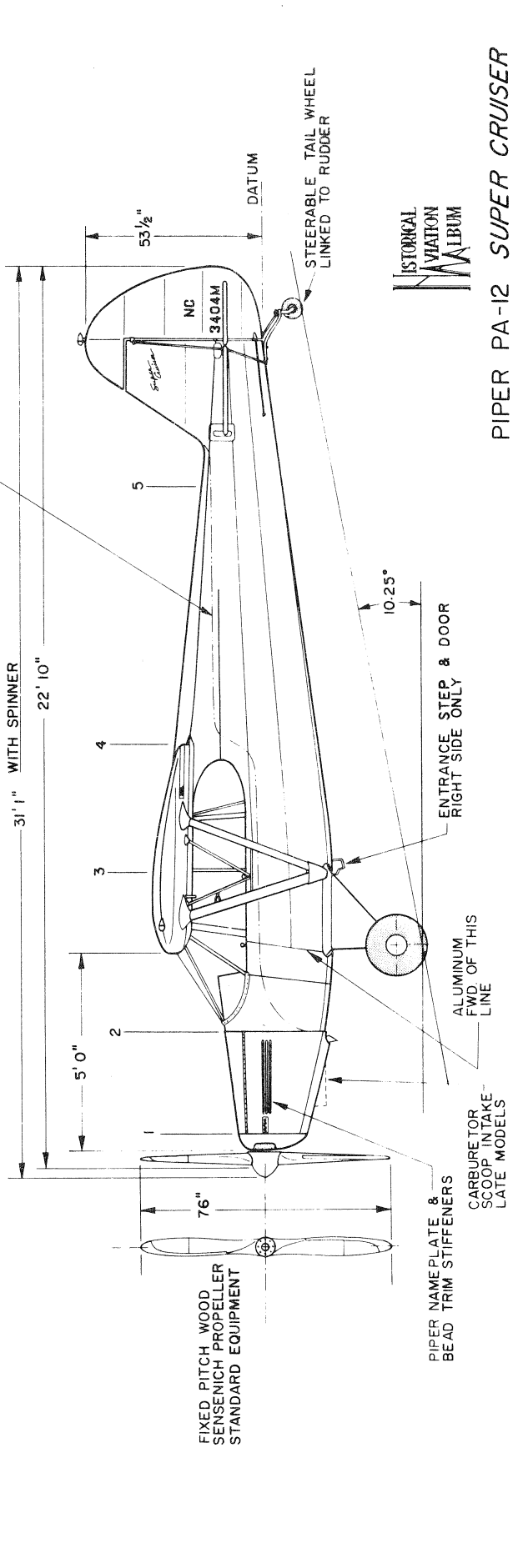
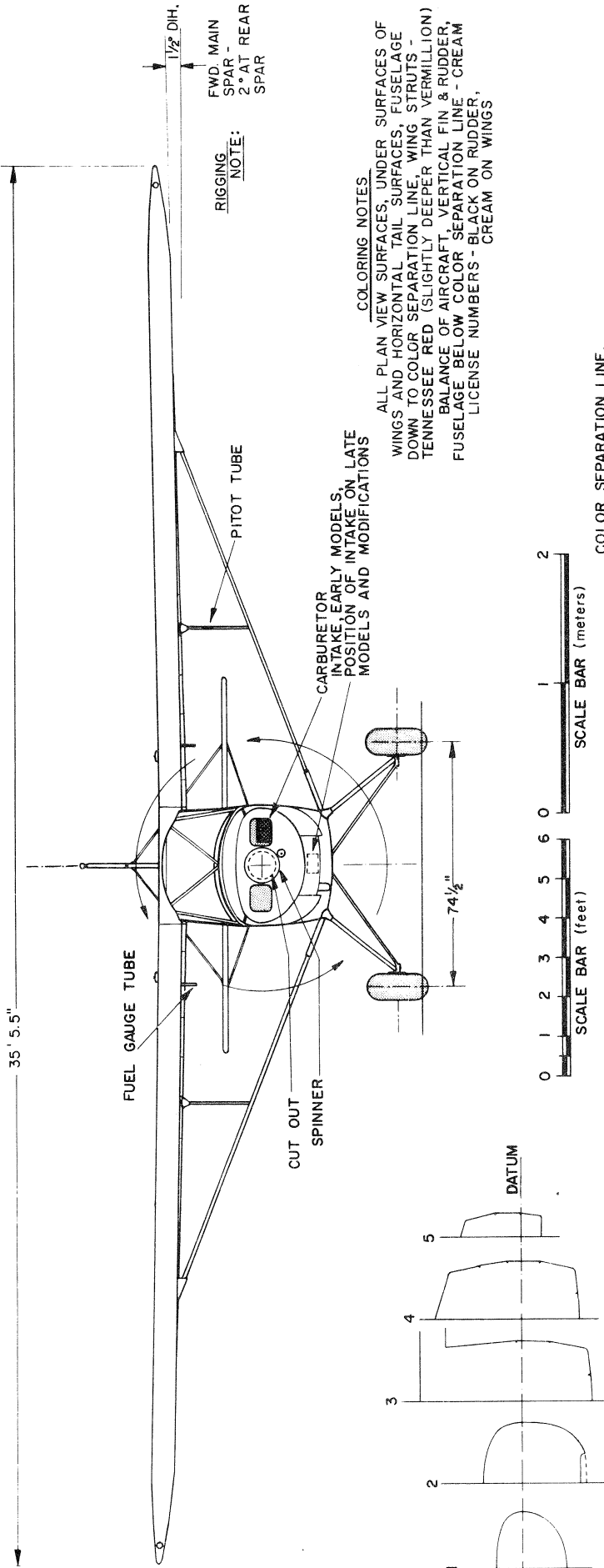
PIPER PA-12 SUPER CRUISER

1946-48
SCALE - 1:48

DRAWN BY: PAUL R. MATT

PLATE 1 of 2

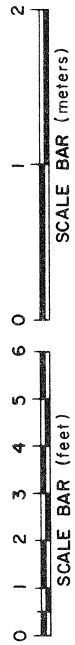
DRAWING No. 4-36-A



RIGGING NOTE:
FWD. MAIN SPAR - 2° AT REAR SPAR

COLORING NOTES
ALL PLAN VIEW SURFACES, UNDER SURFACES OF WINGS AND HORIZONTAL TAIL SURFACES, FUSELAGE DOWN TO COLOR SEPARATION LINE, WING STRUTS - TENNESSEE RED (SLIGHTLY DEEPER THAN VERMILLION) BALANCE OF AIRCRAFT, VERTICAL FIN & RUDDER, FUSELAGE BELOW COLOR SEPARATION LINE - CREAM LICENSE NUMBERS - BLACK ON RUDDER, CREAM ON WINGS

CARBURETOR INTAKE, EARLY MODELS, POSITION OF INTAKE ON LATE MODELS AND MODIFICATIONS



COLOR SEPARATION LINE
RED ABOVE, CREAM BELOW



PIPER PA-12 SUPER CRUISER

1946-48
SCALE: 1:48

DRAWN BY: PAUL R. MATT