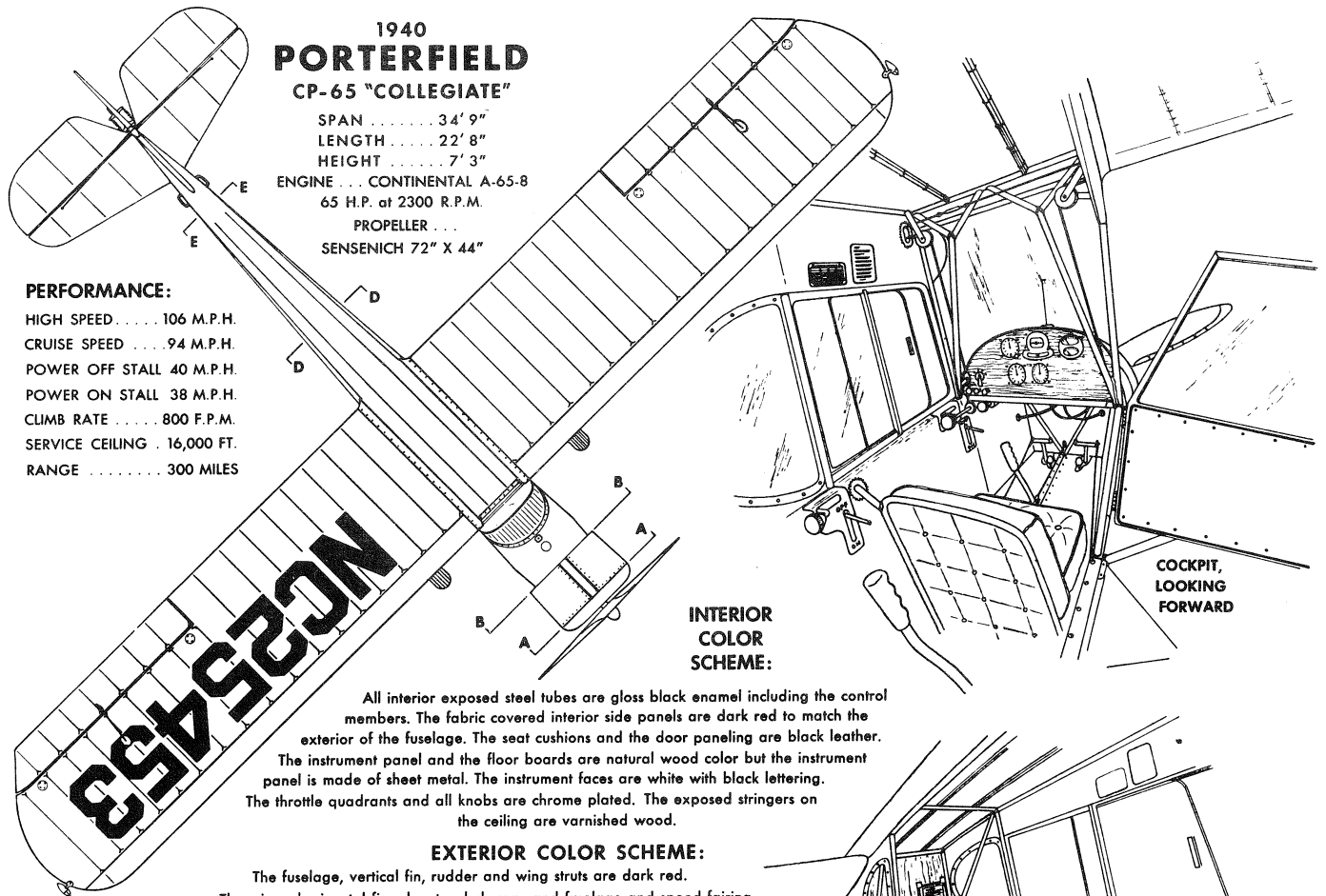


1940
PORTERFIELD
 CP-65 "COLLEGIATE"

SPAN 34' 9"
 LENGTH 22' 8"
 HEIGHT 7' 3"
 ENGINE ... CONTINENTAL A-65-8
 65 H.P. at 2300 R.P.M.
 PROPELLER ...
 SENSENICH 72" X 44"

PERFORMANCE:

HIGH SPEED 106 M.P.H.
 CRUISE SPEED 94 M.P.H.
 POWER OFF STALL 40 M.P.H.
 POWER ON STALL 38 M.P.H.
 CLIMB RATE 800 F.P.M.
 SERVICE CEILING : 16,000 FT.
 RANGE 300 MILES

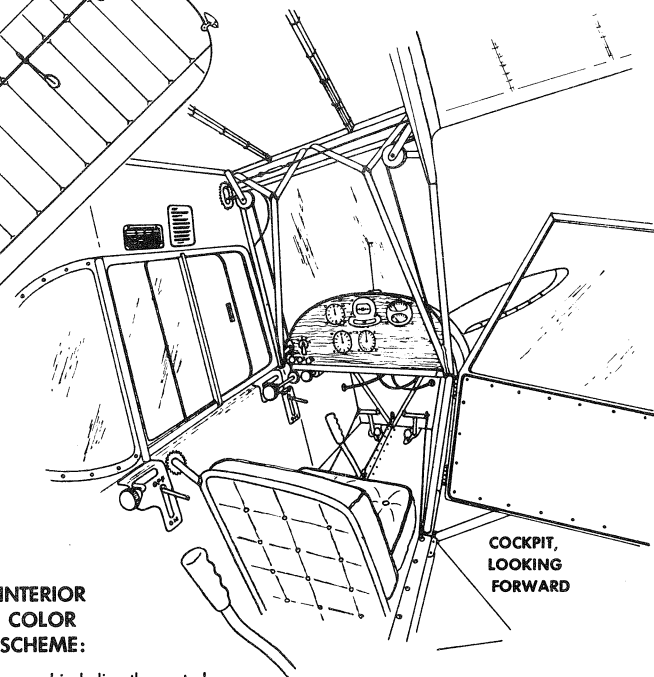


**INTERIOR
 COLOR
 SCHEME:**

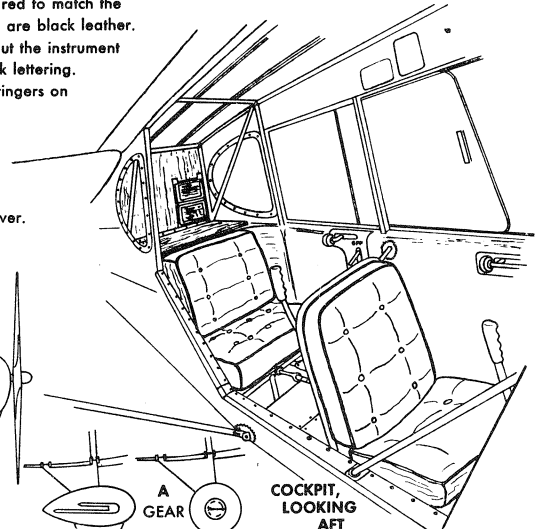
All interior exposed steel tubes are gloss black enamel including the control members. The fabric covered interior side panels are dark red to match the exterior of the fuselage. The seat cushions and the door paneling are black leather. The instrument panel and the floor boards are natural wood color but the instrument panel is made of sheet metal. The instrument faces are white with black lettering. The throttle quadrants and all knobs are chrome plated. The exposed stringers on the ceiling are varnished wood.

EXTERIOR COLOR SCHEME:

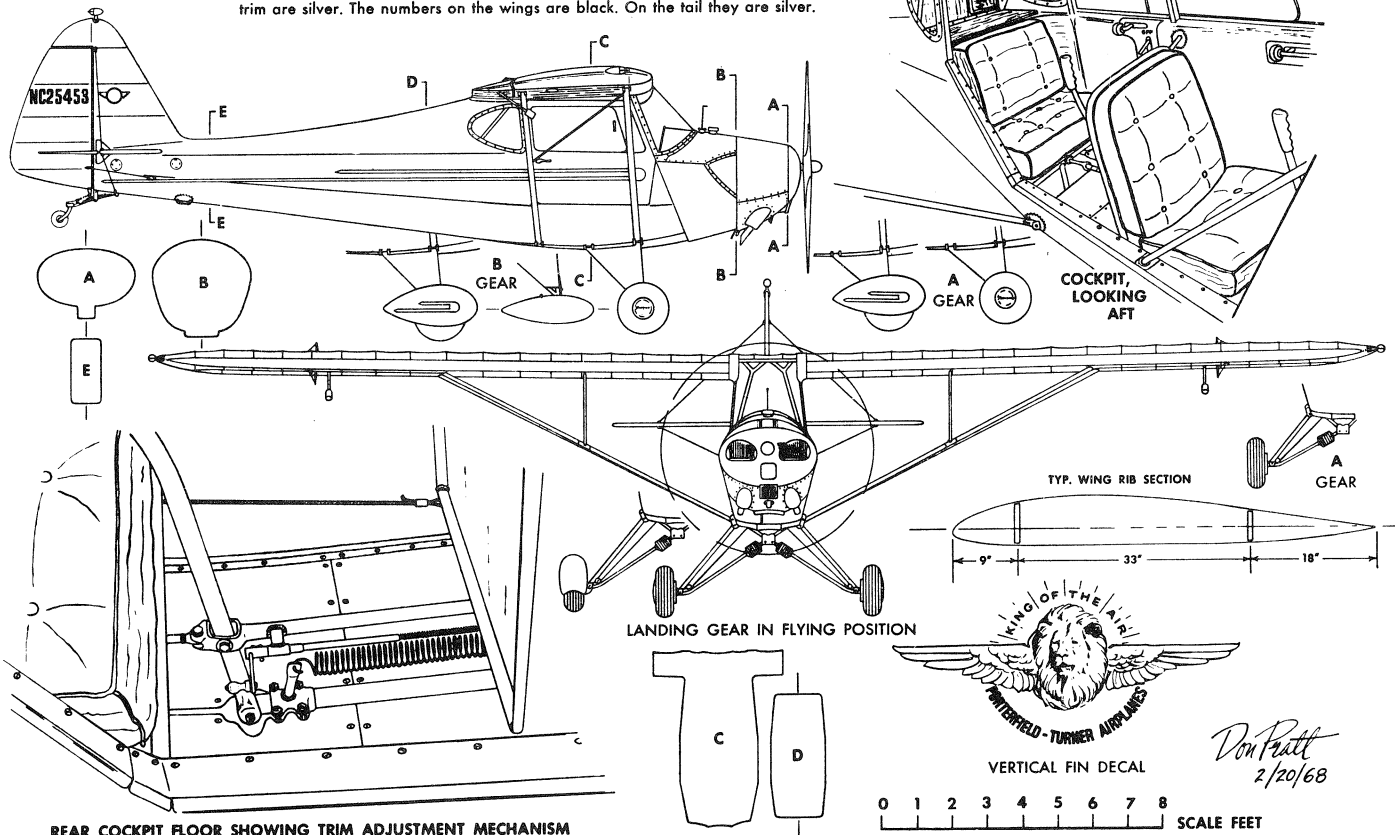
The fuselage, vertical fin, rudder and wing struts are dark red. The wings, horizontal fin, elevator, hub caps and fuselage and speed fairing trim are silver. The numbers on the wings are black. On the tail they are silver.



COCKPIT,
 LOOKING
 FORWARD



COCKPIT,
 LOOKING
 AFT



REAR COCKPIT FLOOR SHOWING TRIM ADJUSTMENT MECHANISM

LANDING GEAR IN FLYING POSITION

TYP. WING RIB SECTION

VERTICAL FIN DECAL

0 1 2 3 4 5 6 7 8 SCALE FEET



Don Pratt
 2/20/68