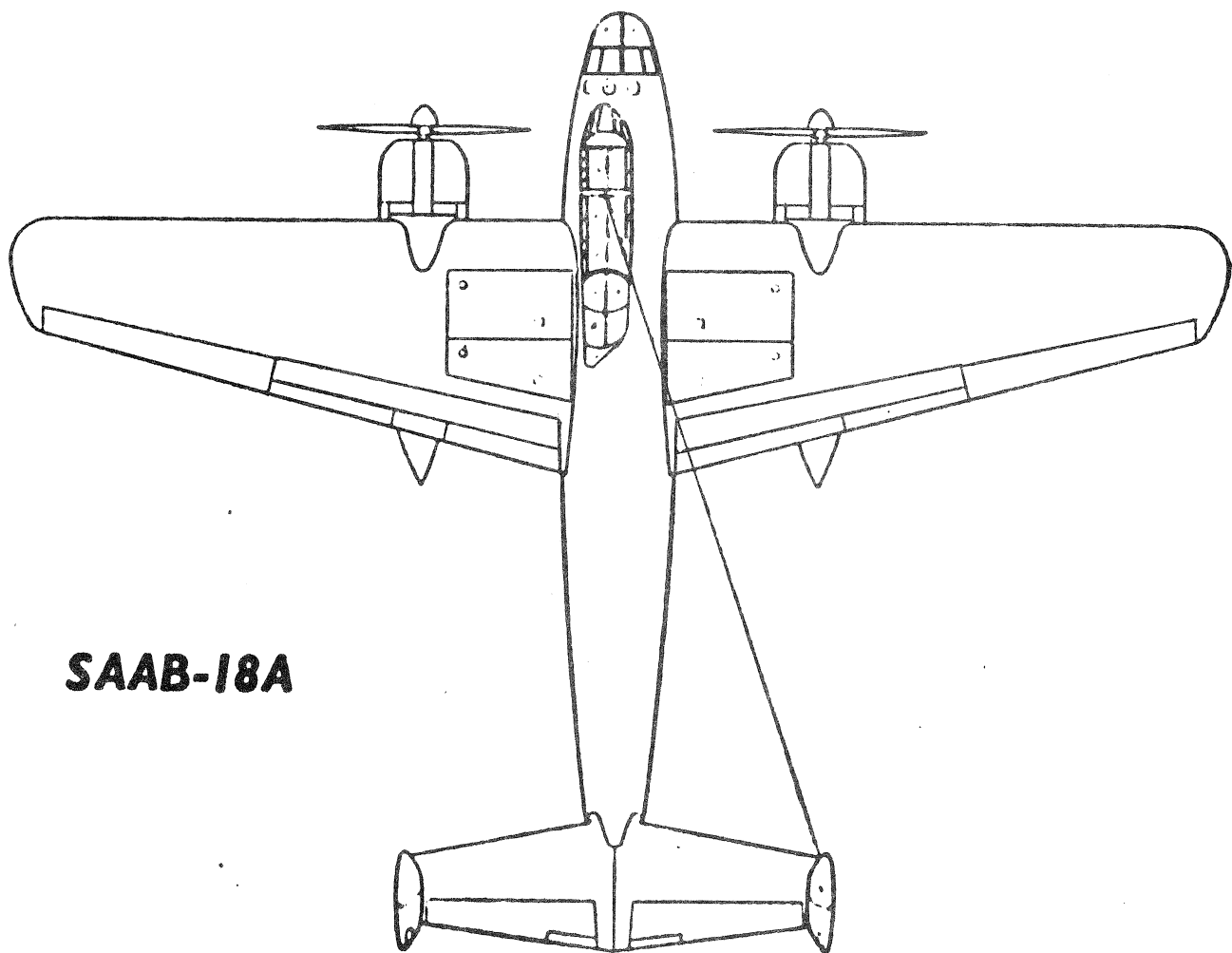
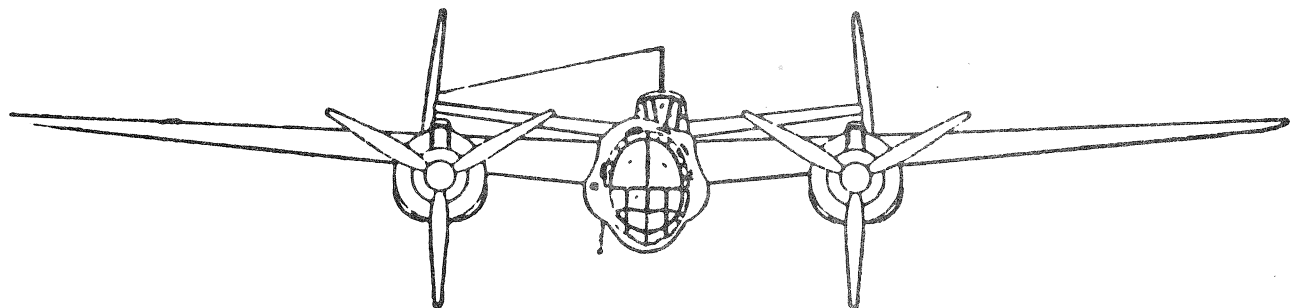


The SAAB-18A was powered by two Swedish-built SC3-G Twin Wasps. The improved SAAB-18B had Daimler Benz DB 605s



SAAB-18A

