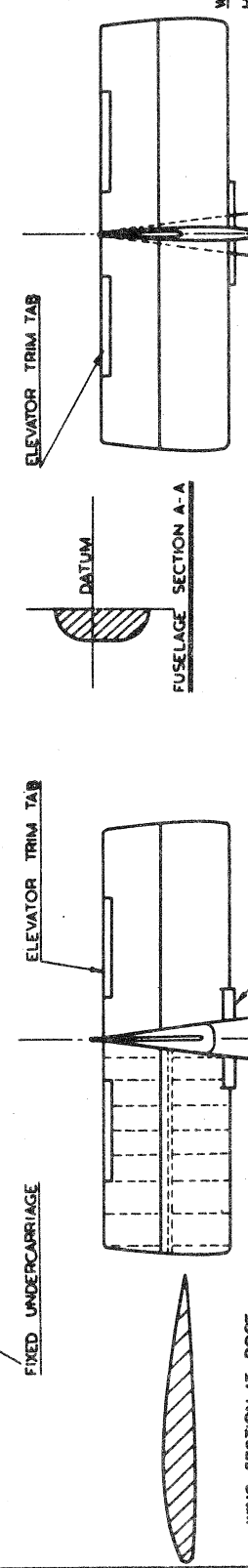
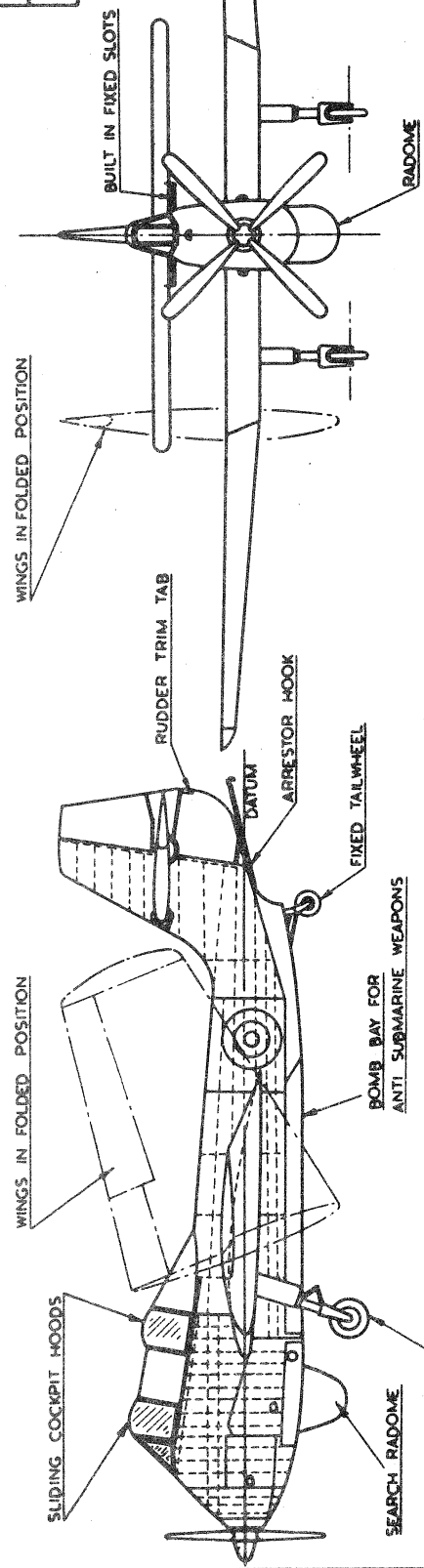


Short Seamew - British Anti-submarine

TWO-SEAT LIGHTWEIGHT ANTI-SUBMARINE RECONNAISSANCE AIRCRAFT
OPERATING WITH 'NATO' FORCE ESCORT CARRIERS

SHORT BROS. & HARLAND LTD
BELFAST
'SEAMEW'
Short Bros. Harland

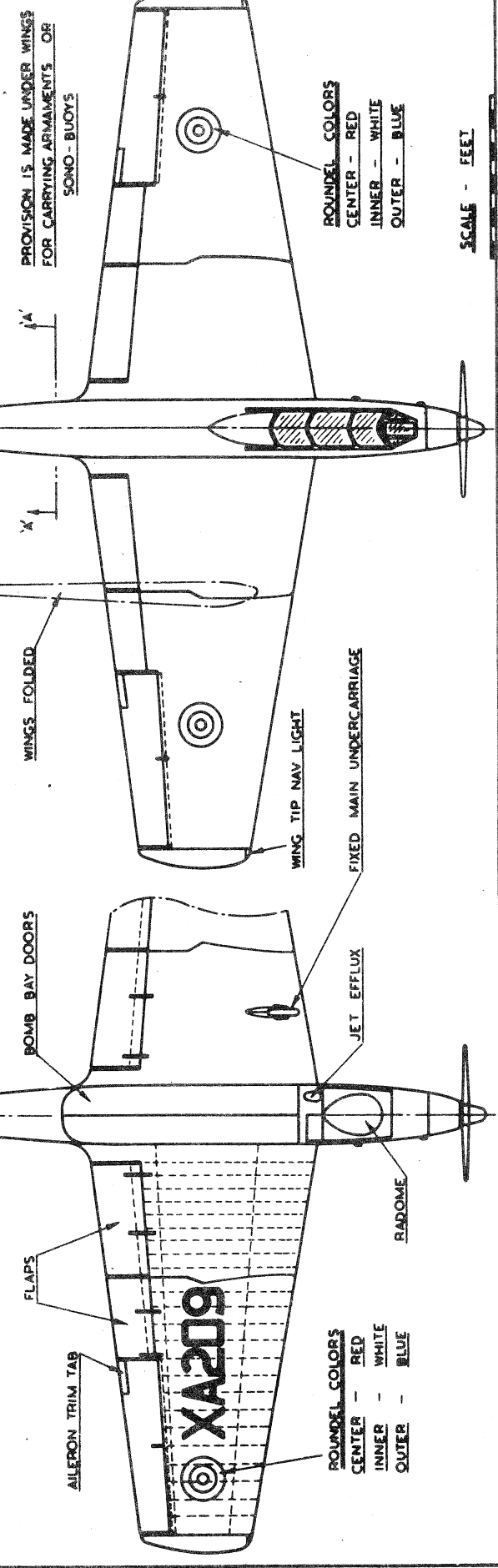


POWER
ONE ARMSTRONG SIDDELEY
MAMBA TURBOPROP
ENGINE

DIMENSIONS
SPAN - 55 FT
LENGTH - 41 FT
HEIGHT - 13 FT 5 INS
WIDTH WINGS FOLDED - 25 FT
HEIGHT WINGS FOLDED - 15 FT 6 INS

ENTIRELY METAL CONSTRUCTION

PROVISION IS MADE UNDER WINGS
FOR CARRYING ARMAMENTS OR
SONO - BUOYS



ROUND EL COLORS
CENTER - RED
INNER - WHITE
OUTER - BLUE

ROUND EL COLORS
CENTER - RED
INNER - WHITE
OUTER - BLUE

SCALE - FEET